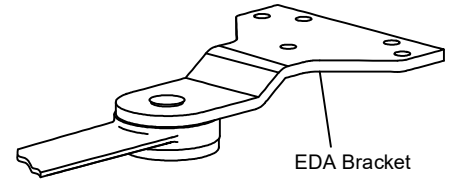
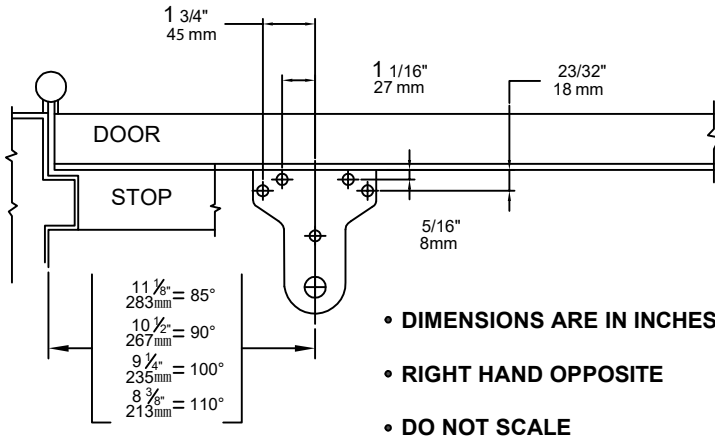


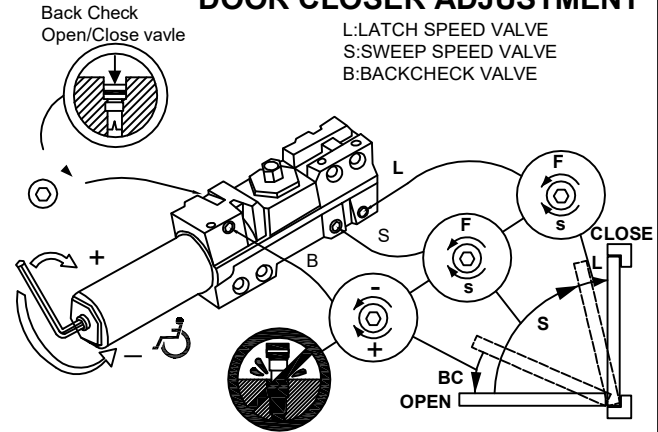
TDC 40 EDA Extra Heavy Duty Parallel Arm

PUSH SIDE MOUNTING

LEFT HAND DOOR SHOWN



DOOR CLOSER ADJUSTMENT

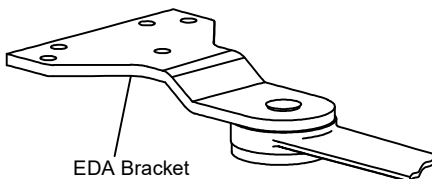


Power Adjustment Chart

CLOSER SIZE	1	2	3	4	5	6
CLOCKWISE TURNS	-3	0	3	7	11	19

PUSH SIDE MOUNTING

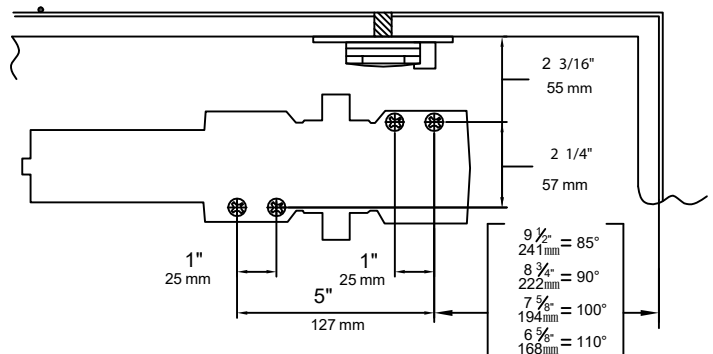
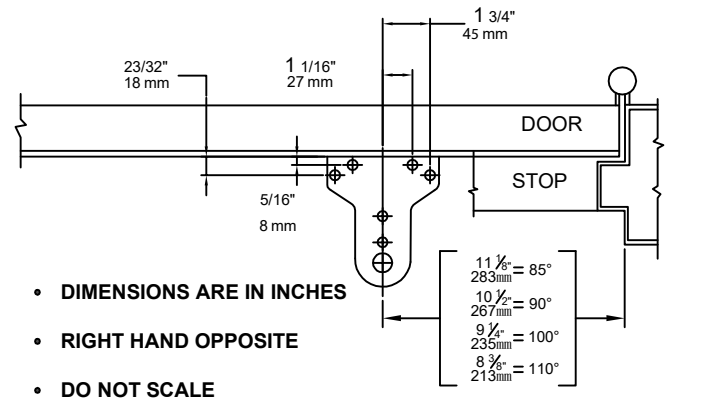
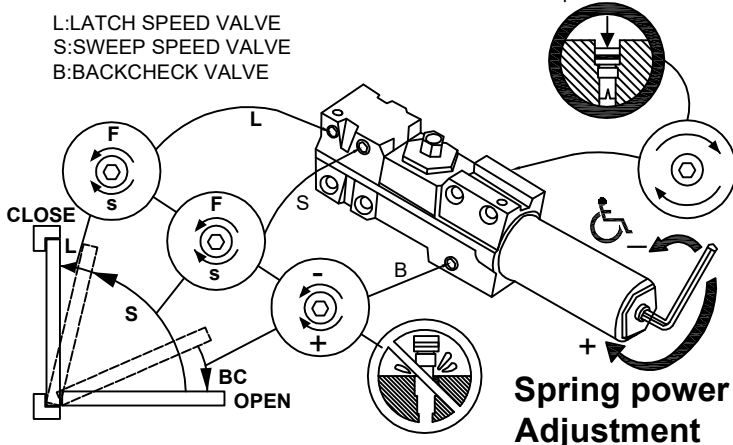
RIGHT HAND DOOR SHOWN



DOOR CLOSER ADJUSTMENT

Back Check Open/Close valve

L: LATCH SPEED VALVE
S: SWEEP SPEED VALVE
B: BACKCHECK VALVE



INSTALLATION SEQUENCE

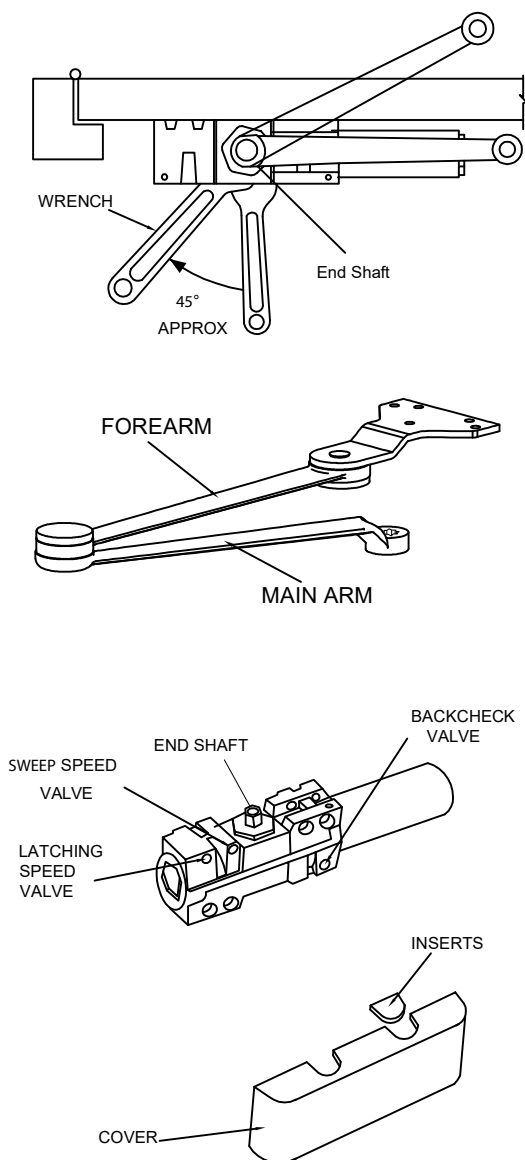
LEFT HAND DOOR SHOWN- RIGHT HAND DOOR OPPOSITE



CAUTION

IMPROPER INSTALLATION OR REGULATION
MAY RESULT IN PERSONAL INJURY OR
PROPERTY DAMAGE. FOLLOW ALL
INSTRUCTIONS CAREFULLY.

Illustration 1



INSTALLATION:

1. Use dimensions shown above mark 4 holes on door for door closer body and 4 holes on frame for EDA bracket. Drill holes as required.
2. Mount closer on door using screws provided, Latch and Sweep Speed Adjusting valves positioned towards the hinge side.
3. Mount EDA bracket on door frame.
4. Use a wrench or extra arm to turn the bottom end shaft $\sim 45^\circ$ and put the main arm on the upper end shaft with the door- See Illustration 1. Make sure the main arm is parallel with the door.
5. Adjust Sweep and Latching speeds- normal closing time from 90° open position is 5 to 7 seconds evenly divided between main closing (Sweep) and Latching speed. Adjust the SWEEP speed first, then adjust the LATCHING speed.
6. Put on the cover and secure with screws provided.