

Installation Instructions

Rim Device

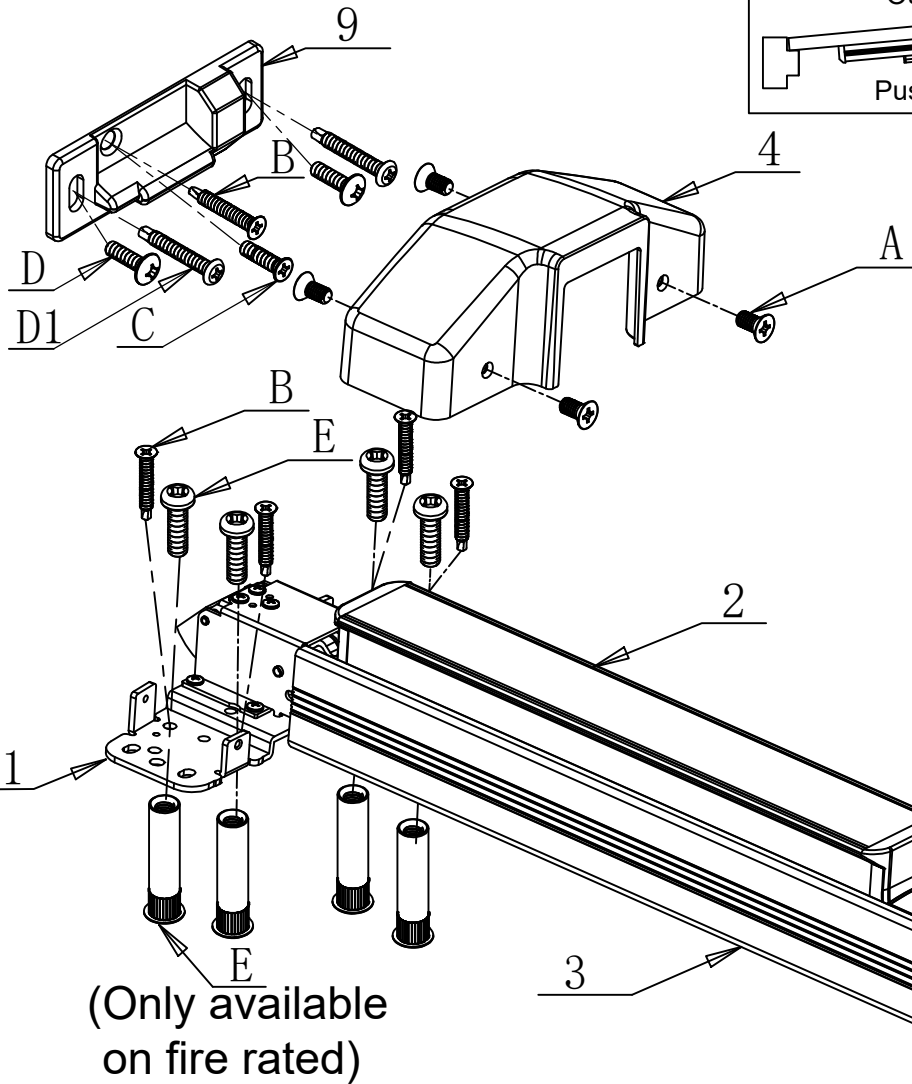
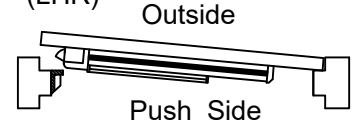
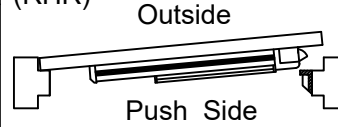


The screws (from item B to E), attach both machine & tapping screws for install selection in the accessory package.

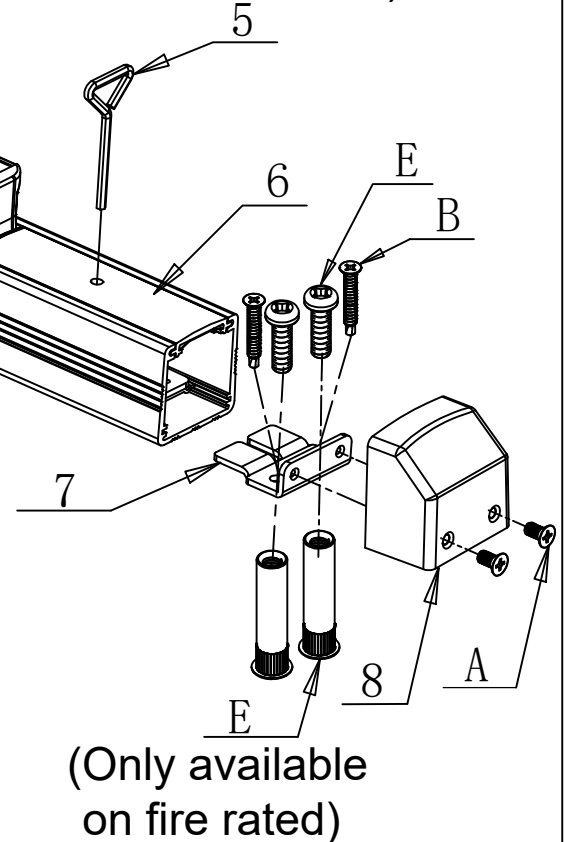
Determine handing of door

Right - Hand Reverse Bevel (RHR)

Left - Hand Reverse Bevel (LHR)



(Not available on fire rated)



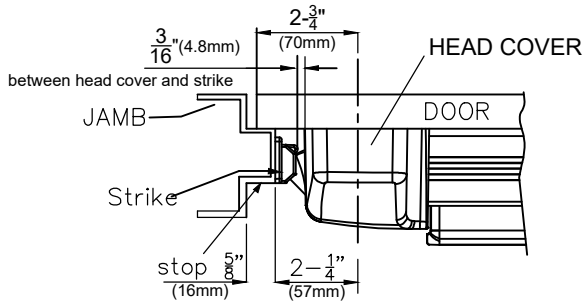
PARTS LIST

ITEM	DESCRIPTION	QTY
1	CHASSIS ASSY	1
2	PUSH BAR	1
3	MOUNTING RAIL	1
4	HEAD COVER	1
5	ALLEN WRENCH (NOT FOR FIRE RATED)	1
6	SLIDING COVER	1
7	BRACKET	1
8	END CAP	1
9	STRIKE	1
A	SM4*8 FLAT HEAD SCREWS	6
B	10#*1-1/4" FLAT HEAD TEK SCREWS	7
C	12#*1/2" FLAT HEAD SCREWS	1
D	12#*1/2" ROUND HEAD SCREWS	2
D1	10#*1-1/4" ROUND HEAD TEK SCREWS	2
E	SEX BOLT (Only For Fire Rated)	6

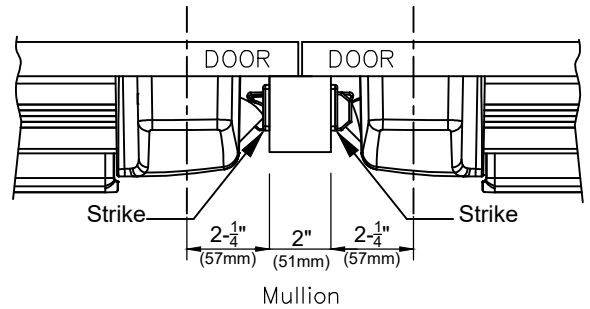
Rim Device

Single Door With Rim Device

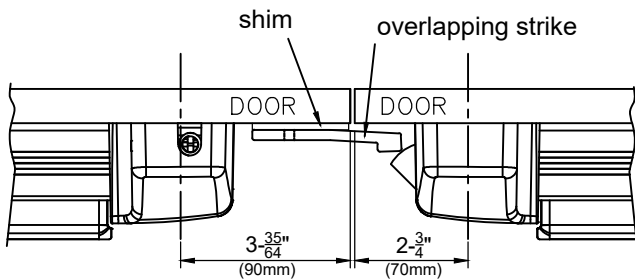
If required, add strike shim kit under strike for $\frac{3}{16}$ " (4.8mm) as dimension shown



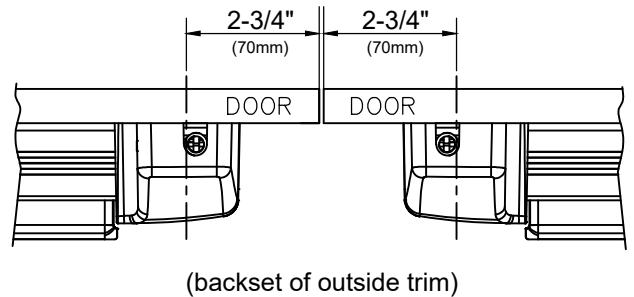
Double Door With Mullion



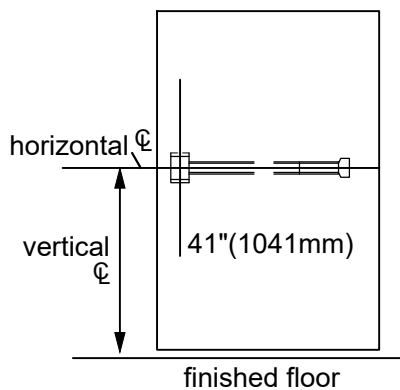
Double Door With Rim Device and Surface Vertical Rod Device



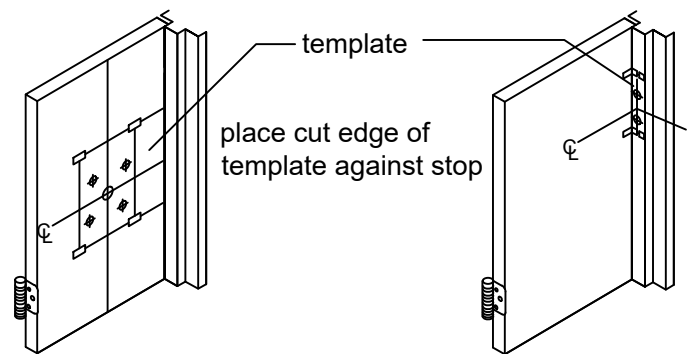
Double Door With Surface Vertical Rod Device



STEP 1 PREPARE INSTALLATION:

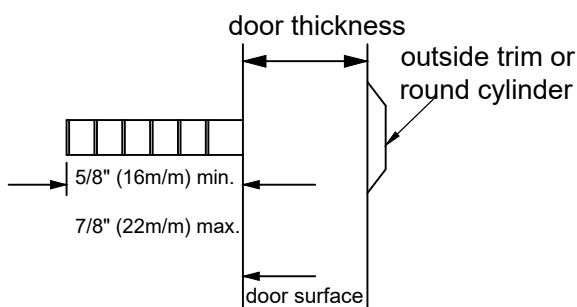


RHR shown
(LHR opposite)



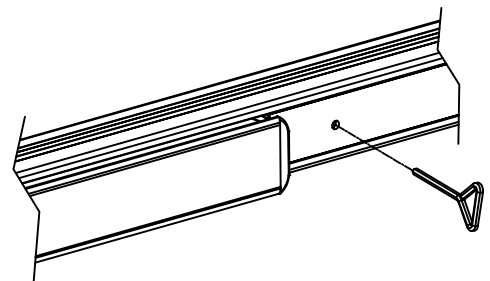
NOTICE 1 : TAILPIECE LENGTH

Keep tailpiece $\frac{5}{8}$ "~ $\frac{7}{8}$ " (16~22m/m) projected.



NOTICE 2 : DOGGING (FOR NON-FIRE RATED)

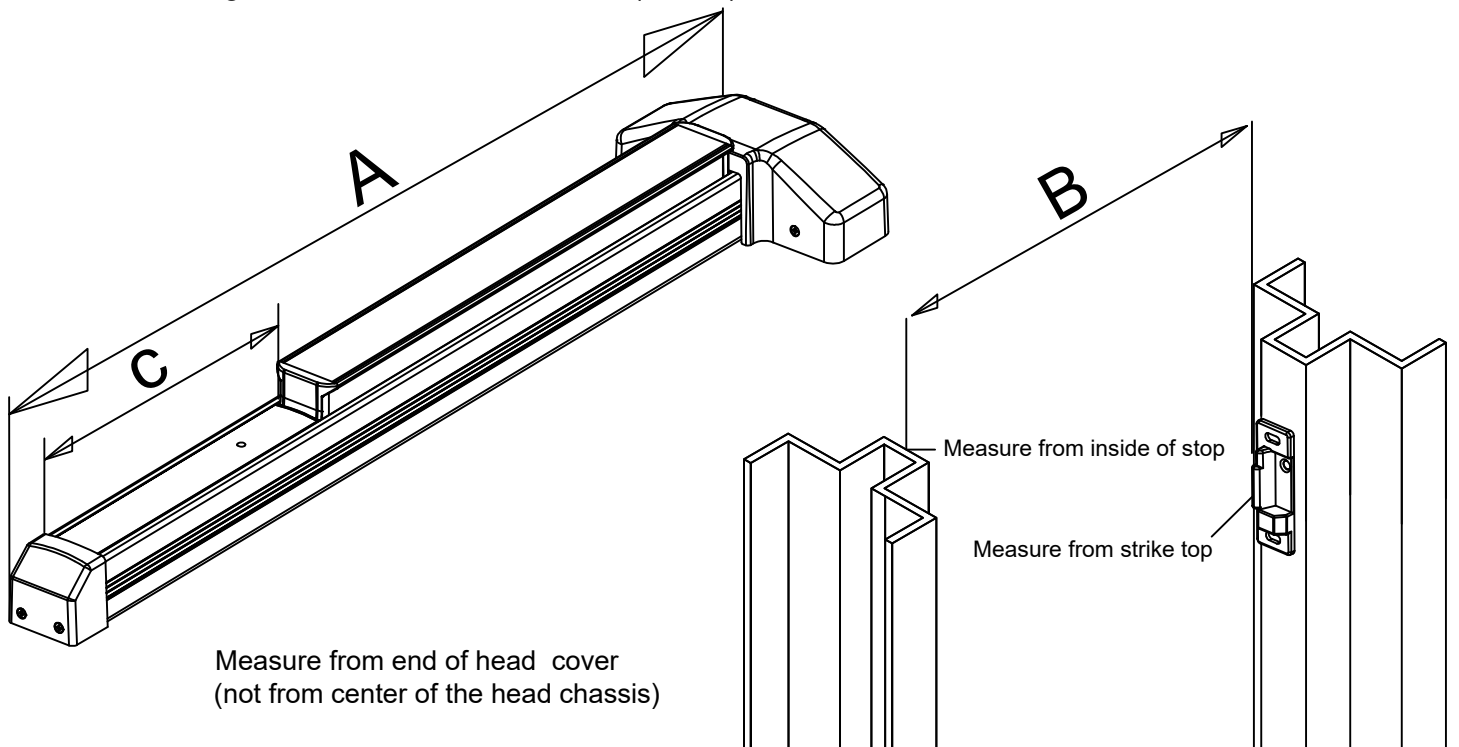
To press down the push rail, turn the hex allen key clockwise or counterclockwise. The device will change the function to "Passage".



Rim Device

STEP 3 CUT DEVICE IF REQUIRED

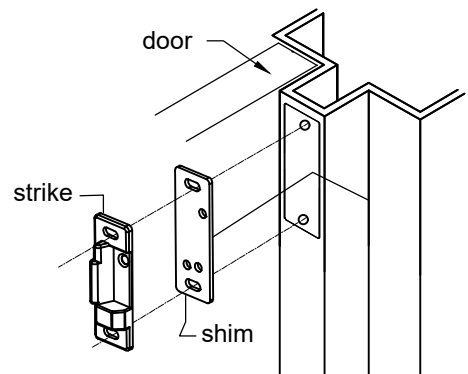
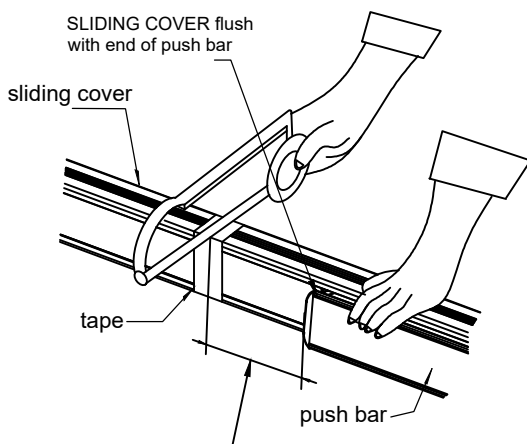
3.1 Device length A must be at least 1- 3/4" (45mm) shorter than B



3.2 If required cut C length of device so A is at least 1- 3/4" (45mm) shorter than B.

3.3 Standard Door Stop is 5/8" (15.9mm). Install 1/8" (3mm) thick shim if required.

- (1) 1/8" (3mm) shim for prepared doors with 1/2" (12.7mm) stop.
- (2) Shim always furnished as standard part of package, which is mounted beneath strike.



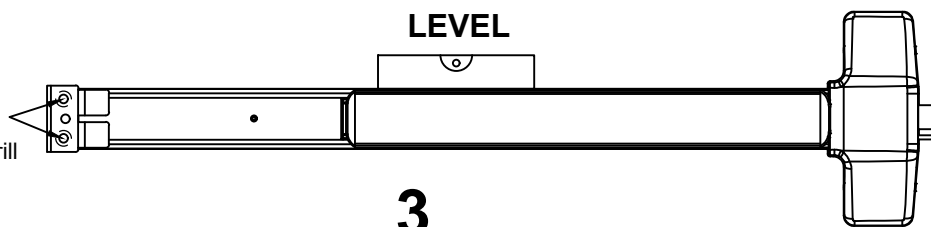
DON'T CUT CLOSER THAN 5-3/8" FROM PUSH BAR END CAP

STEP 4 : MOUNTING DEVICE

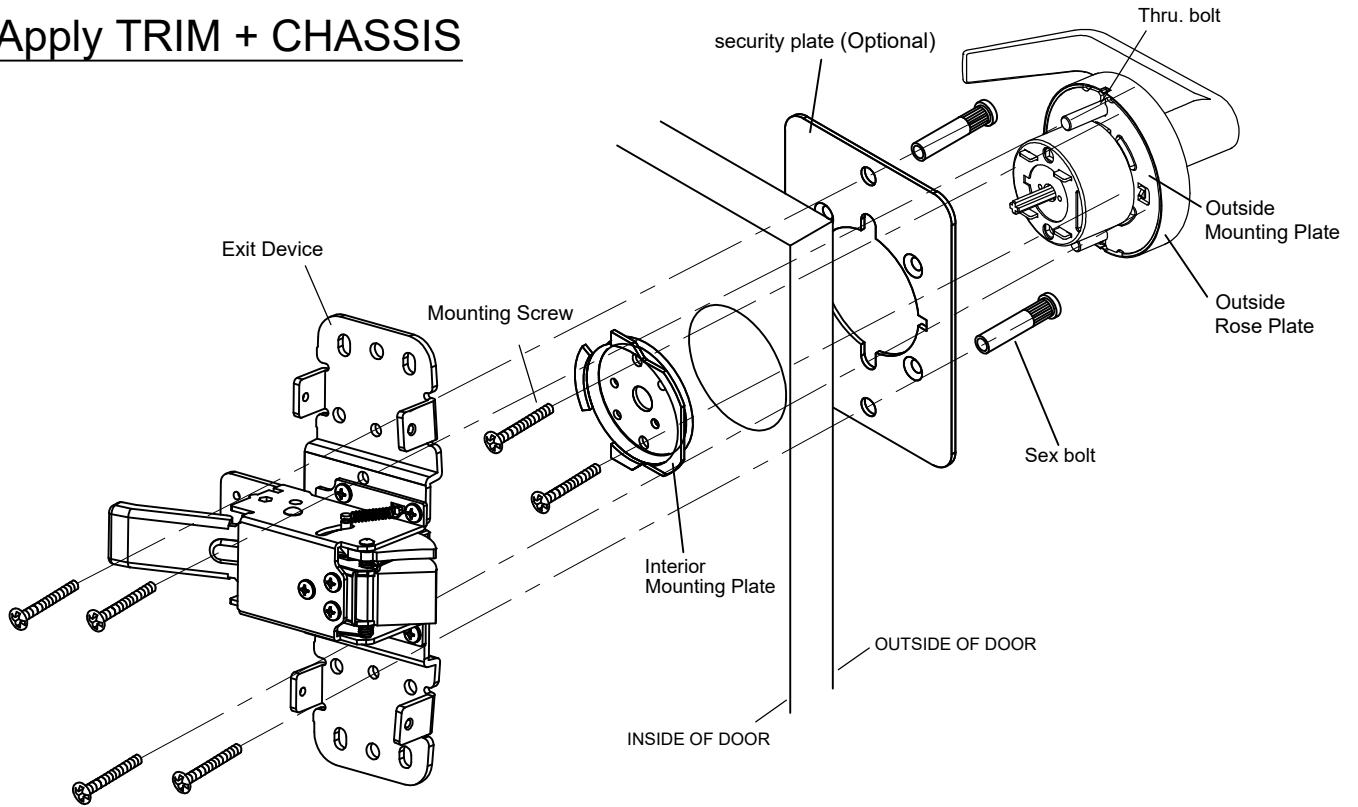
1. Take off head cover and then put device horizontally at the door. Fix screws (B) on chassis but DO NOT tighten them at this step.
2. Install bracket. Be sure to remain device being horizontal and then tighten all screws.
3. Install end cap & head cover.

for "NON-FIRE RATED" : please use screw B directly

for "FIRE RATED" : please drill $\phi 3/8"$ (9.6mm) hole for sex bolt

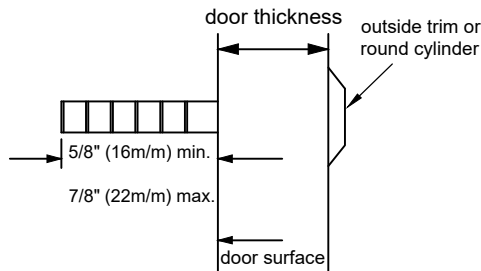


Apply TRIM + CHASSIS

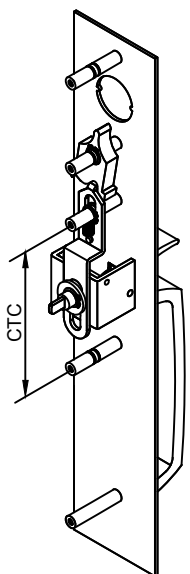


TAILPIECE LENGTH

Keep tailpiece 5/8"~7/8" (16~22m/m) projected.

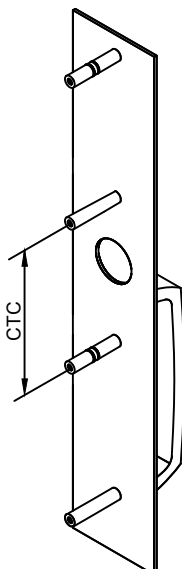


Thumbpiece trim



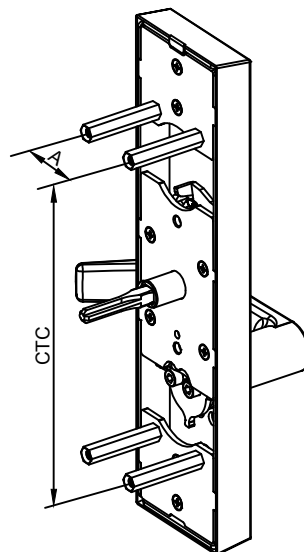
CTC = 4-1/4" (108mm)

Pull trim



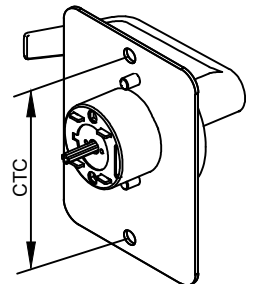
CTC = 4-1/4" (108mm)

Heavy duty ESC lever trim



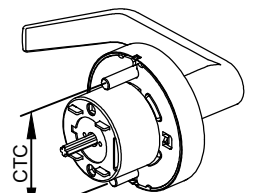
CTC = 7" (177.8mm)
A = 1-25/64" (35.2mm)

Trim with security plate



CTC = 4-1/4" (108mm)

Trim w/o security plate



CTC = 2-3/4" (70mm)