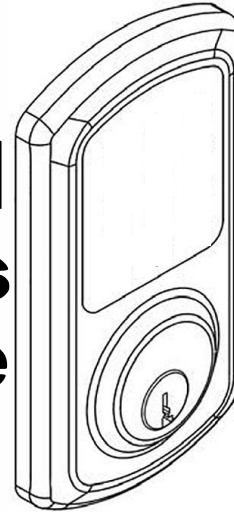
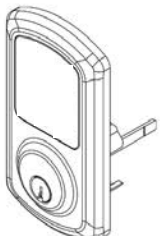

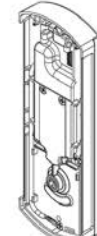

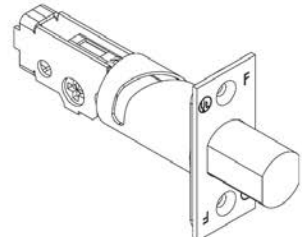
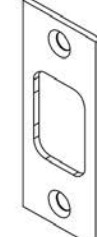

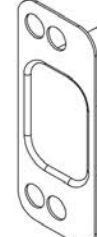
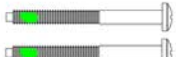

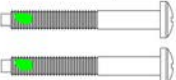






TownSteel e-Smart 6000 Series Installation Guide



Package Content	2
Getting Started & Handing information	3
Door Preparation	4
Step 1 - Adjusting Deadbolt	5
Step 2 - Installing Deadbolt & Strike	6
Step 3 - Setting Tail Piece	7
Step 4 - Installing Outside Assembly	8
Step 5 - Installing Backplate	9
Step 6 - Installing Inside Assembly	10
Step 7 - Installing Inside Cover	11
Exploded View	12
Troubleshoot	13

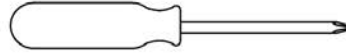
Package Content

Parts in the box			
Outside Assembly 	Backplate 	Inside Assembly 	Inside Cover 
Deadbolt 	Deadbolt Strike 	Deadbolt Armor Plate 	Dust Box 
Screw Packs Y  O  U 	Screw Packs R  S 	Deadbolt & Strike Screws 	Additional Parts Included 

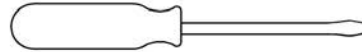
Getting Started

Tools needed for lock installation

Phillips Screwdriver (Not included)



Flat-Head Screwdriver (Not included)

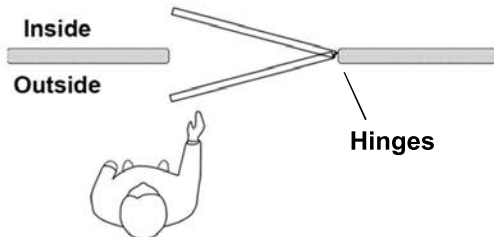


Note:

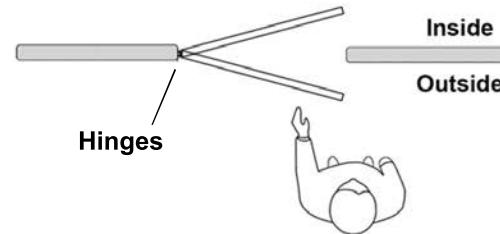
Do not use a power drill for installation of lock - it can damage the lock.

Handing Information

If hinges are on the right,
and the door opens inward
or outward it is a **right
hand door (RH)**

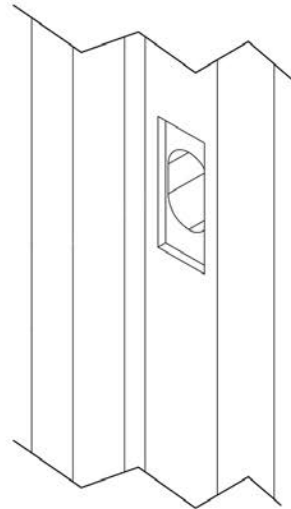
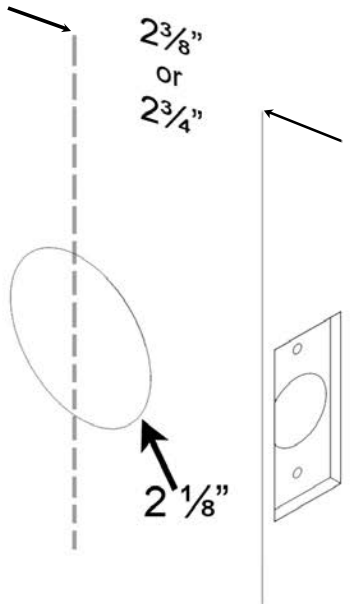


If hinges are on the left,
and the door opens inward
or outward it is a **left
hand door (LH)**



Door Preparation

Prepare door and jamb per template provided. The backset is the dimension from the edge of the door to the centerline of the lock.

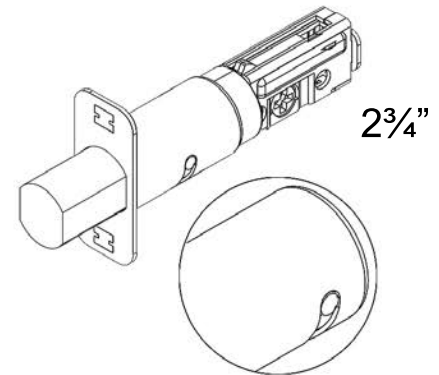
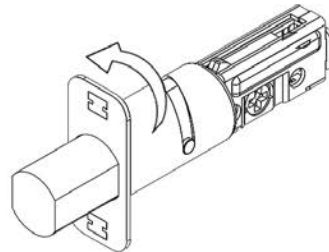
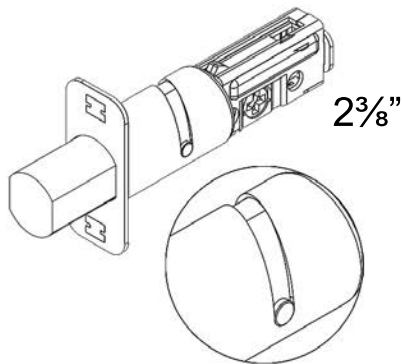
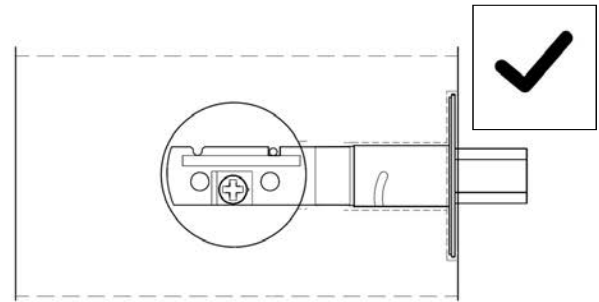
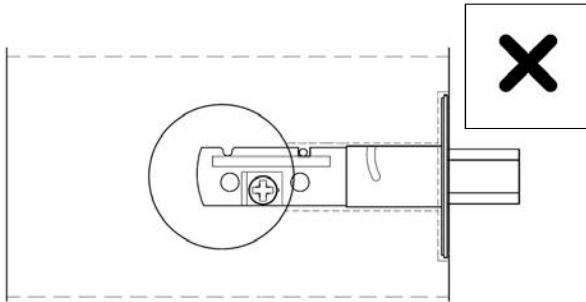


Important:

Door stop is where the door will stop when normally operated. The stop includes any gasket, smoke seal, or bumpers. The position of strikes are to be measured taking this into account.

Step 1

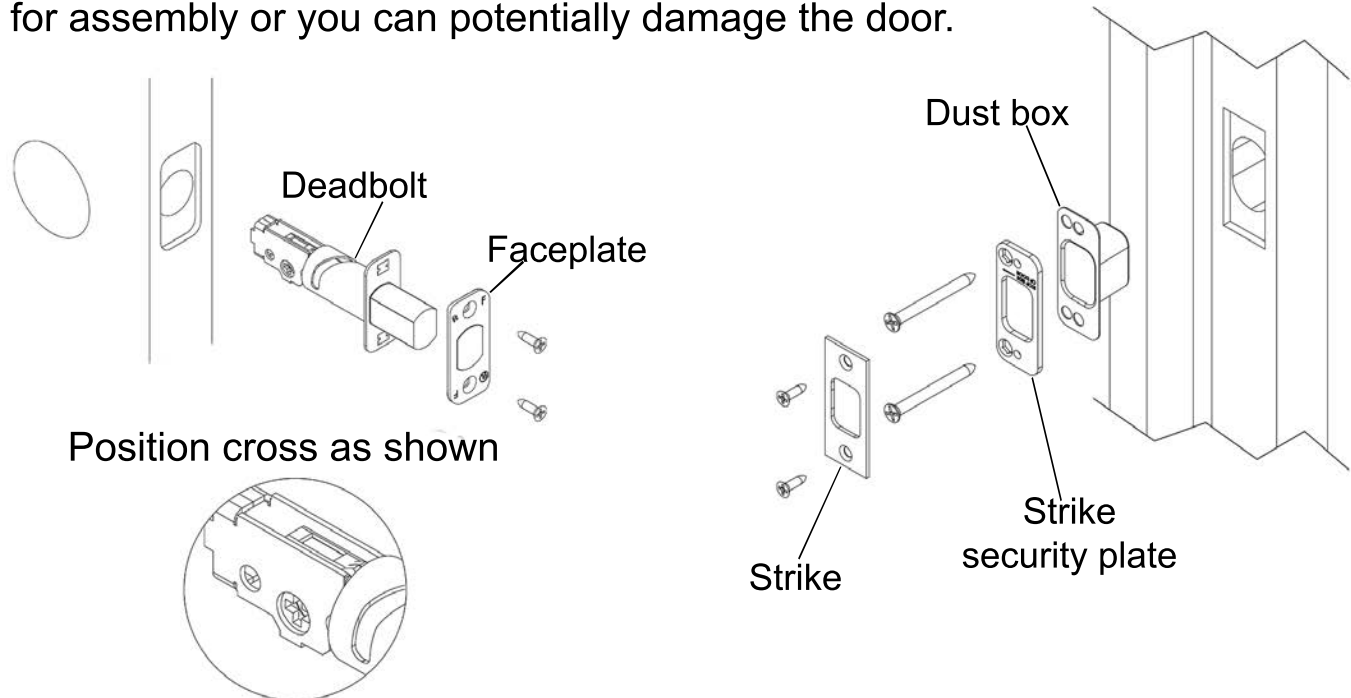
Place the deadbolt in the door frame cutout and make sure the cross shaped hub is centered. Otherwise, look below on how to adjust the deadbolt by rotating the deadbolt face.



Step 2

Install the deadbolt and faceplate and secure with 2 screws.
Install strike, strike security plate, and dust box. Secure with 4 screws.

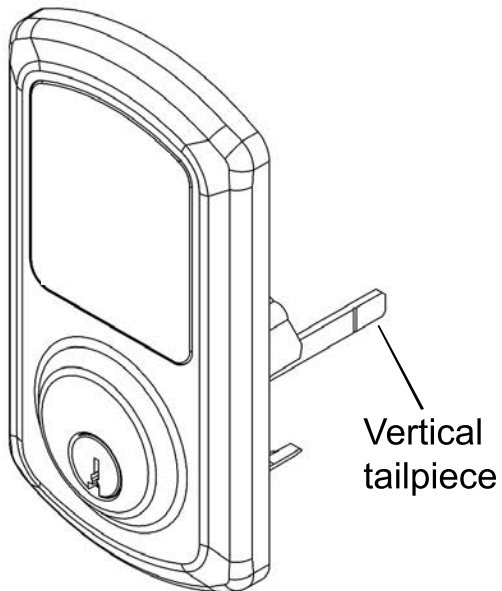
Note: During installation keep the door open. Do not use power tools for assembly or you can potentially damage the door.



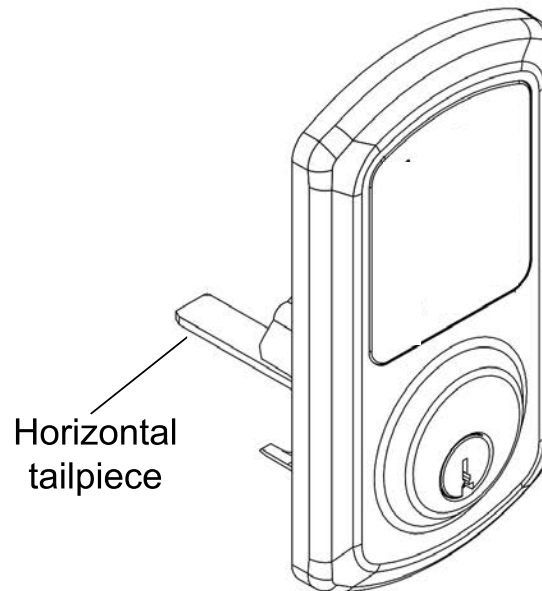
Step 3

Set the handing on the outside assembly.

Left hand (LH)



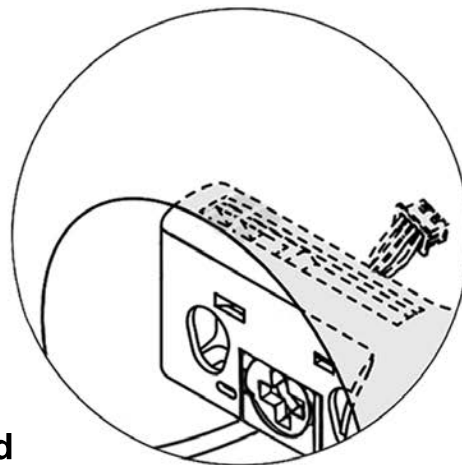
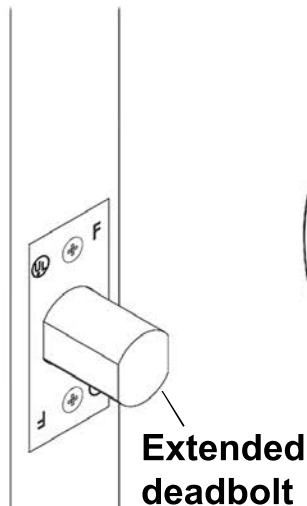
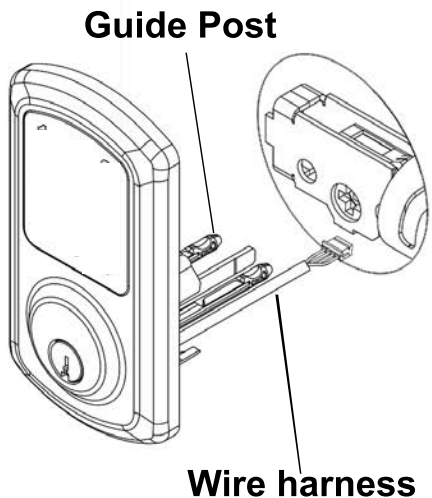
Right hand (RH)



Step 4

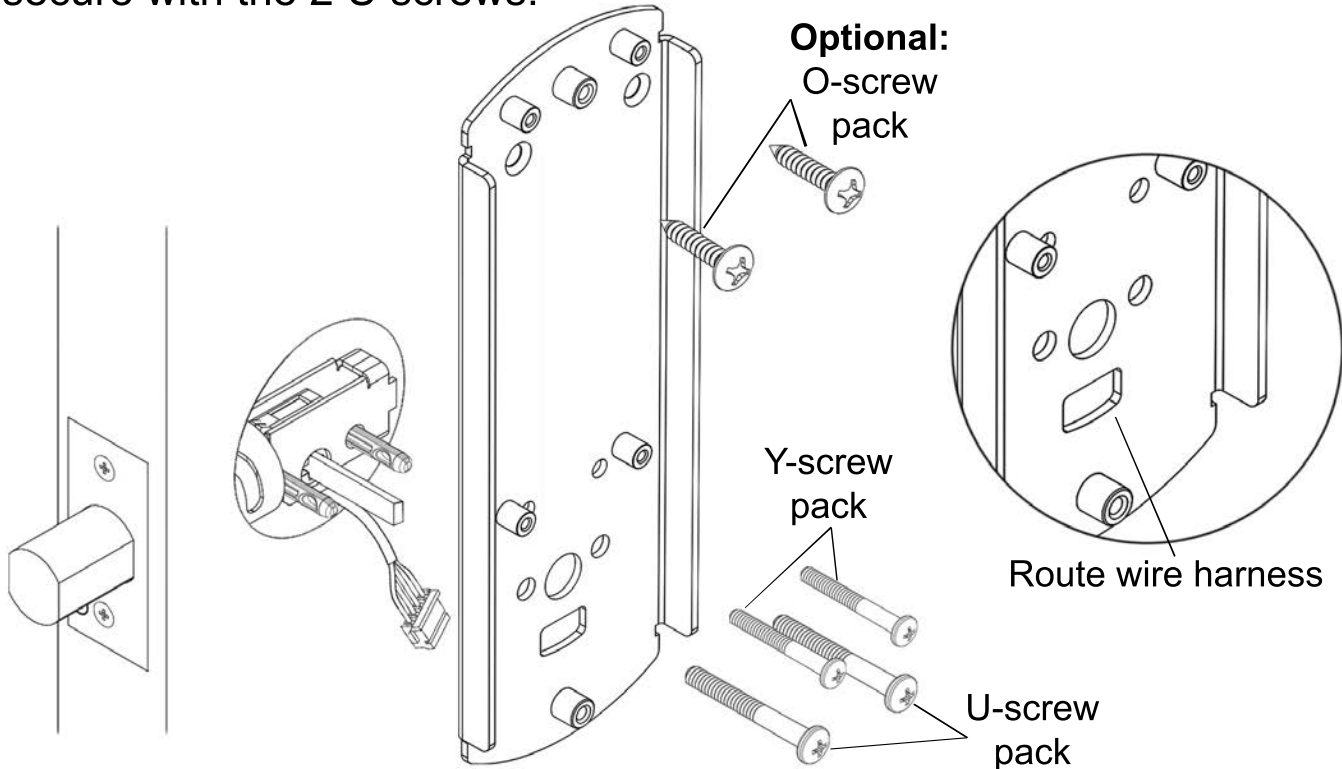
Install the outside assembly. Route the wire under the deadbolt and the tail piece through the cross. The two plastic guide posts should go through the holes on both sides of the cross.

Note: A left hand (LH) lock will be depicted in the following guide. For right hand install opposite. Make sure the deadbolt is extended.



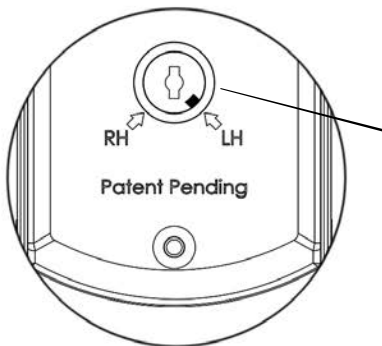
Step 5

Install the backplate using the Y and U screw packs. Route the wire harness through the lower cutout. Secure with the 2 Y screws on the top two holes. Remove the two guide posts and secure with the 2 U screws.

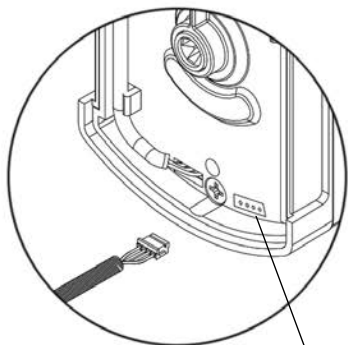


Step 6

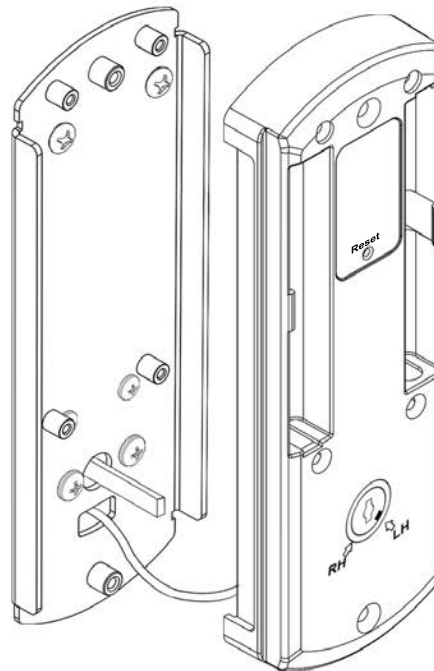
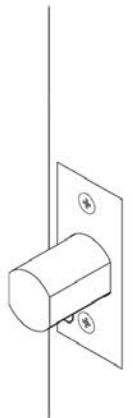
Set the handing on the inside assembly. Plug the wire into the connector. Install the inside assembly using the S-screw pack.



Rotate slot on inside assembly to set handing. LH shown. (use flat-head screwdriver)



Plug cable into connector

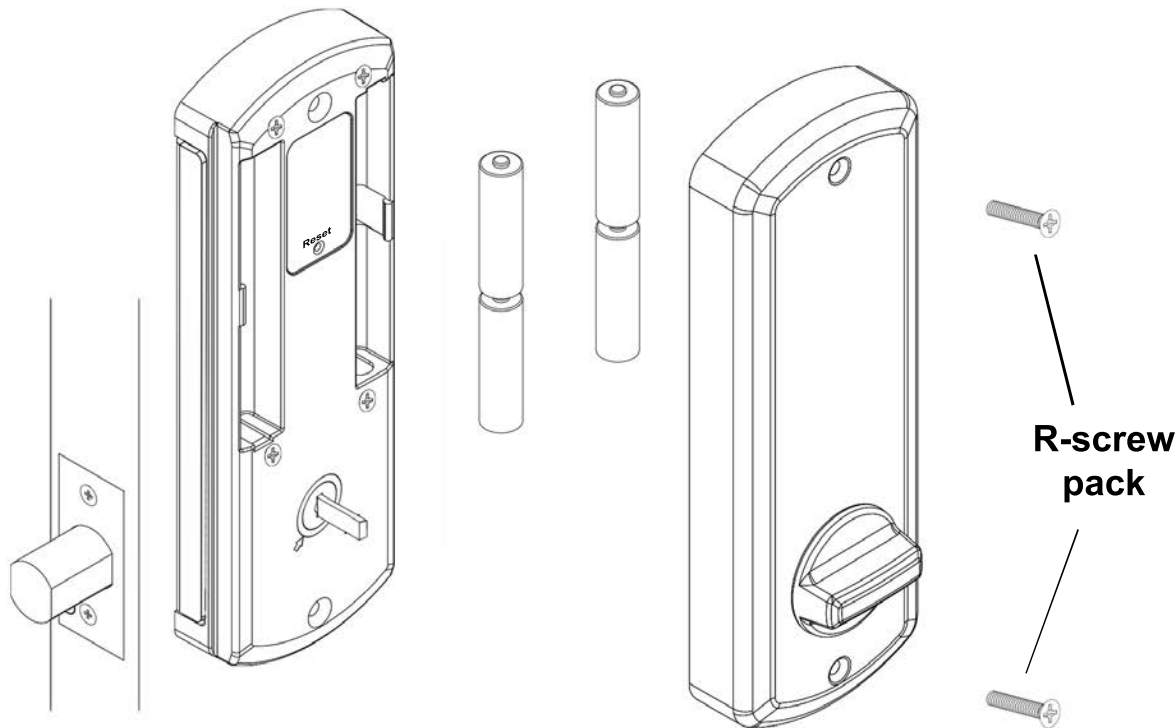


S-screw pack

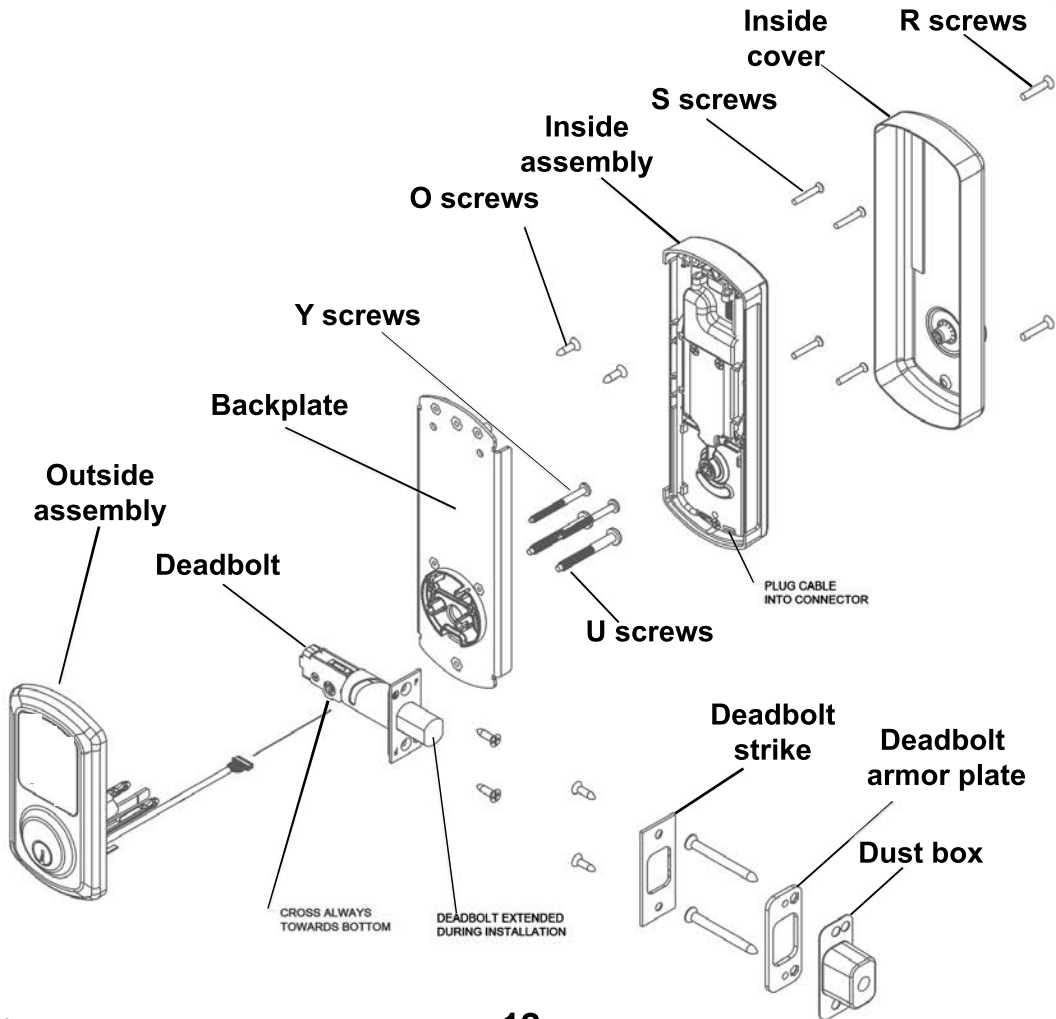


Step 7

IMPORTANT- After adding batteries, see programming manual on **SETTING THE HANDING** before operating the keypad. Once the handing has been set, install inside cover using the R-screw pack.



Exploded view



Problem	Cause	Solution
Keypad does not light up.	Batteries are dead.	Replace batteries by removing back cover.
	Keypad is locked out due to amount of incorrect codes	Wait 60 seconds and try again.
	Not fully plugged in wires or pinched wires.	Check wire connection.
Deadbolt does not fully extend.	Strikes are not aligned.	Adjust strikes. (See door template)
Deadbolt is jammed and does not extend or retract.	Handing was not set correctly on outside assembly.	Set handing correctly on outside assembly. (See Step 3)
	Deadbolt was not extended during installation.	Take lock off door and re-install with deadbolt extended. (See Step 4)
Keypad lights up but deadbolt does not respond.	Handing has not been set on the keypad	See programming manual

VISIT ***WWW.TOWNSTEEL.COM*** FOR

17901 RAILROAD STREET
CITY OF INDUSTRY, CA 91748
TOLL FREE: 877-858-0888