

Motorized Deadbolt

★ US PATENT: # 10400477

Features

- Heavy duty motorized deadbolt lock for residential, multi-housing or commercial
- Programmable at the lock or through Townsteel's APP
- Illuminated touch keypad, RFID card, and mechanical key override
- 99 pin codes and 300 MIFARE RFID cards capacity
- Robust and unique motor design provides stronger, faster and more reliable gear drive
- Powered with 4 AA alkaline batteries. Low battery warning.
- Dummy trim available for inactive leaf or paired door

Specifications

- Standard 161 door prep
- Door thickness: 1-3/4"
- Backset: 2-3/8" – 2-3/4" adjustable
- Faceplate: 1" x 2-1/4" round corner, plated finish standard.
- Strike: 1-1/8" x 2-3/4" standard
- Deadbolt: 1" throw deadbolt, anti-saw pins. Optional drive-in deadbolt
- Cylinder: 5 or 6 pin Schlage C keyway standard.
- Finish: 605, 622, 626, or other finishes upon request



Code Compliance

- Certified ANSI/BHMA A156.36, Grade 1 listed
- UL 10C 3 Hour Rated
- FCC Part 15 Certified

Warrenty

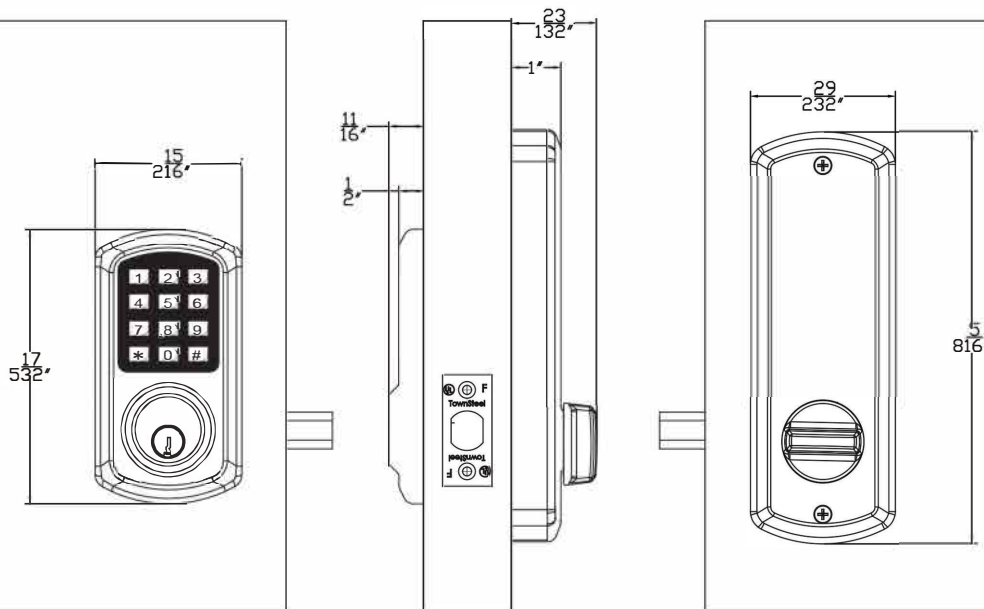
- Limited 2 year warranty

e-Smart 2000

Standalone Deadbolt



Profile



How To Order

Series	ES2T: e-Smart 2000	Series	Cylinder
Finish	605: US3, Bright Brass 622: US19, Flat Black 626: US26D, Satin Chrome Special Finishes Upon Request	ES2T	- 622 - SC
Cylinder	SC: 5 pin SC6: 6 pin HS: High Security	↓	Finish