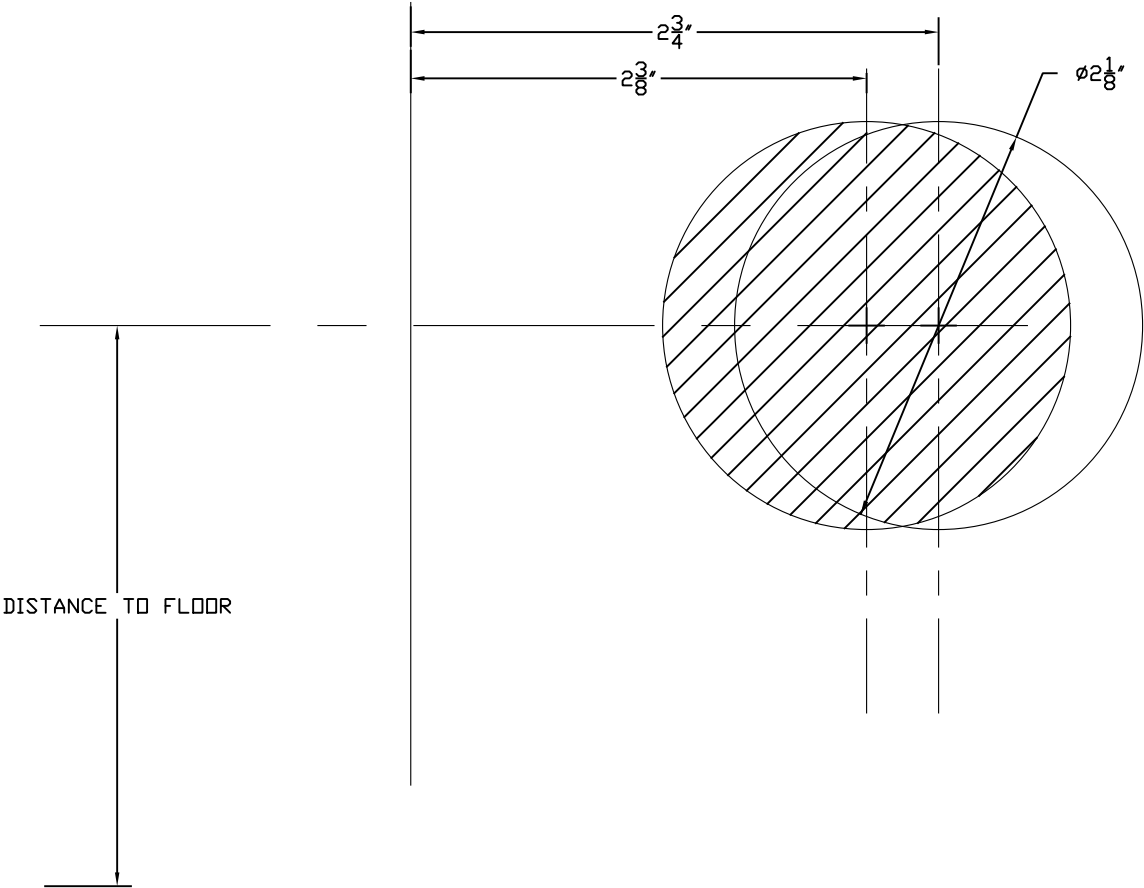


e-Smart TEMPLATE
DUMMY TEMPLATE



TEMPLATE SCALE IS 1:1 IF THIS MEASURES 1":

RESPONSIBILITY: Door and frame manufacturers are responsible for providing adequate construction or reinforcements for proper installation of hardware.