

m-Genius

Mechanical Interconnect Lock



4" Entry lock with turn button right hand shown

Mechanical Specifications

- Door Thickness: 1-3/4"
- Backset: 2-3/8" - 2-3/4" adjustable
- Clutched trim
- Latchbolt: 1/2" throw stainless steel deadlocking
- Deadbolt: 1" stainless steel deadbolt
- Faceplates: 1" x 2-1/4" or 1-1/8" x 2-1/4"
- Latch Strike: Full lip with radius corners
- Deadbolt Strike: 1-1/8" x 2-3/4" radius corners with security underplate
- 4" or 5-1/2" deadbolt center to latchbolt center distance available
- Available Storeroom Function (always locked) or Entry Function (with Toggle passage)

Available Lever Styles



Sentinel (S)



Quest (Q)



Wolfsburg (W)



Wolfsburg R (WR)

Code Compliance

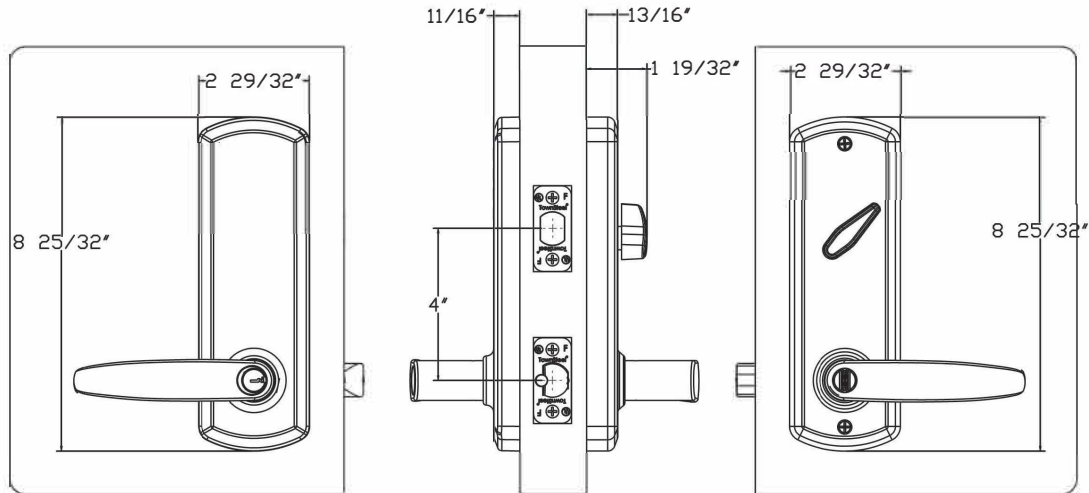
- Americans with Disabilities Act
- EU RoHS Directive 2002/95/EC
- ANSI/BHMA A156.12 Grade 1
- UL 10C 3 Hour Rated

m-Genius

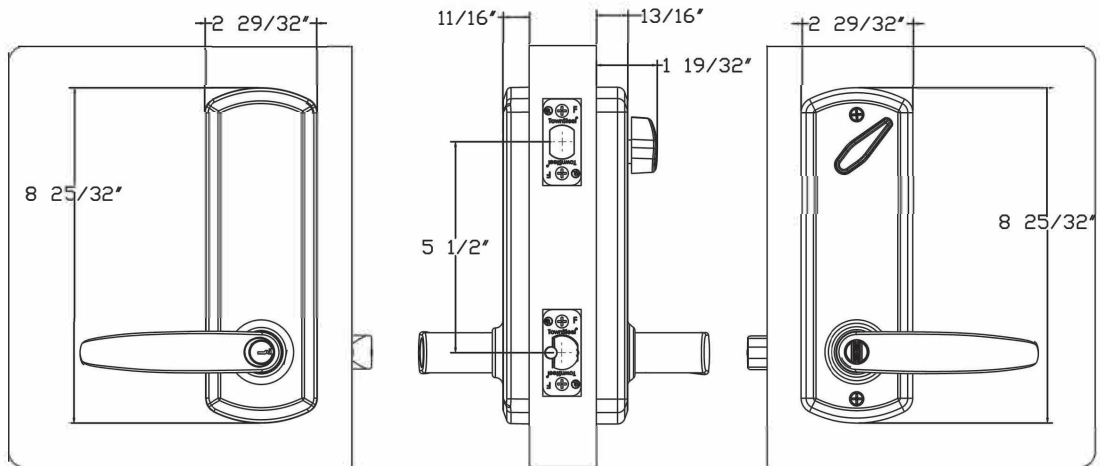
Mechanical Interconnect Lock (available in 4" or 5 1/2" spacing)



4"
(40 lockbody)



5 1/2"
(55 lockbody)



How To Order

Series	m-Genius
Function	S: Storeroom / T: Entry (Toggle Function)
Lever Style	S: Sentinel / Q: Quest / W: Wolfsburg / WR: Wolfsburg R
Handing	RH / LH / RHR / LHR
Finish	619: US15, Satin Nickel / 622: US19, Flat Black 626: US26D, Satin Chrome / Or special color upon request
Lockbody	40: 4" / 55: 5-1/2"
Faceplates	N: 1" x 2-1/4" / W: 1-1/8" x 2-1/4"
Cylinder	Key in lever option:
	SC Schlage® 6-pin with "C" keyway, standard
	K6 Kwikset® 6-pin with "KW" keyway
	HS6 High security 6-pin with TownSteel "L" keyway
	SF6 Best® 6-pin, IC core with "A" keyway
	SF7 Best® 7-pin, IC core with "A" keyway
Less cylinder core option:	
SF Schlage® small format IC, SFIC	
SLF Schlage® large format IC, SLFIC	
CLF Corbin® large format IC, CLFIC	

Lever Finish Faceplates
 ↑ ↑ ↑
MGTT-S LH626-55 W SC
 ↓ ↓ ↓
 Function Handing Lockbody Cylinder