

m-Genius-S

Mechanical Interconnect Lock

SECTIONAL TRIM



5.5" Entry lock with turn button left hand shown

Mechanical Specifications

- Door Thickness: 1-3/4"
- Backset: 2-3/8" - 2-3/4" adjustable
- Clutched trim
- Latchbolt: 1/2" throw stainless steel deadlocking
- Deadbolt: 1" stainless steel deadbolt
- Faceplates: 1" x 2-1/4" or 1-1/8" x 2-1/4"
- Latch Strike: Full lip with radius corners
- Deadbolt Strike: 1-1/8" x 2-3/4" radius corners with security underplate
- 4" or 5-1/2" deadbolt center to latchbolt center distance available
- Available Storeroom Function (always locked) or Entry Function (with Toggle passage)

Available Lever Styles



Sentinel (S)



Quest (Q)



Wolfsburg (W)



Wolfsburg R (WR)

Code Compliance

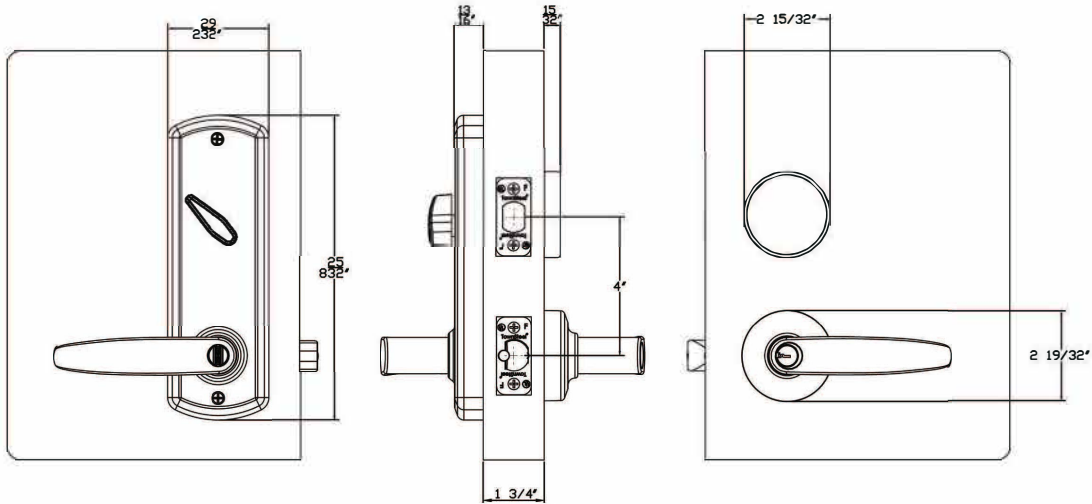
- Americans with Disabilities Act
- EU RoHS Directive 2002/95/EC
- ANSI/BHMA A156.12 Grade 1
- UL 10C 3 Hour Rated

m-Genius-S

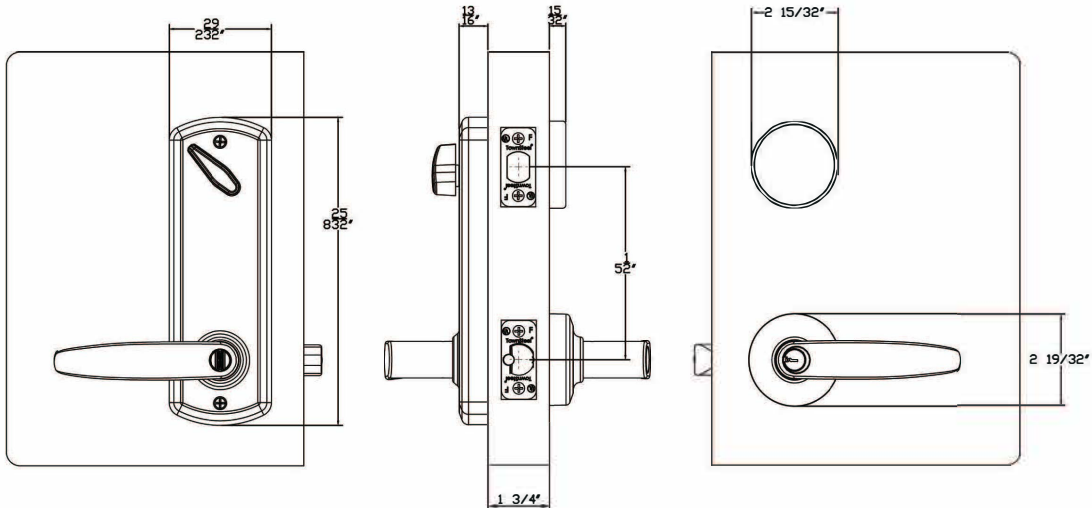
Mechanical Interconnect Lock (available in 4" or 5 1/2" spacing)



4"
(40 lockbody)



5 1/2"
(55 lockbody)



How To Order

Series	m-Genius-S
Function	S: Storeroom / T: Entry (Toggle Function)
Level Style	S: Sentinel / Q: Quest / W: Wolfsburg / WR: Wolfsburg R
Handing	RH / LH / RHR / LHR
Finish	619: US15, Satin Nickel / 622: US19, Flat Black 626: US26D, Satin Chrome / Or special color upon request
Lockbody	40: 4" / 55: 5-1/2"
Faceplates	N: 1" x 2-1/4" / W: 1-1/8" x 2-1/4"
Cylinder	Key in lever option: SC Schlage® 6-pin with "C" keyway, standard K6 Kwikset® 6-pin with "KW" keyway HS6 High security 6-pin with TownSteel "L" keyway SF6 Best® 6-pin, IC core with "A" keyway SF7 Best® 7-pin, IC core with "A" keyway HS7 High security 7-pin, IC core with TownSteel "L" keyway Less cylinder core option: SF Schlage® small format IC, SFIC SLF Schlage® large format IC, SLFIC CLF Corbin® large format IC, CLFIC

Lever Finish Faceplates
 ↑ ↑ ↑
MGSTT-SLH626-55WSC
 ↓ ↓ ↓ ↓
 Function Handing Lockbody Cylinder