

# m-Genius-C

## Mechanical Interconnect Lock CONCEALED DEADBOLT TRIM



5.5" Entry lock with turn button left hand shown

### Mechanical Specifications

- Door Thickness: 1-3/4"
- Backset: 2-3/8" - 2-3/4" adjustable
- Clutched trim
- Latchbolt: 1/2" throw stainless steel deadlocking
- Deadbolt: 1" stainless steel deadbolt
- Faceplates: 1" x 2-1/4" or 1-1/8" x 2-1/4"
- Latch Strike: Full lip with radius corners
- Deadbolt Strike: 1-1/8" x 2-3/4" radius corners with security underplate
- 4" or 5-1/2" deadbolt center to latchbolt center distance available
- Available Storeroom Function (always locked) or Entry Function (with Toggle passage)

### Available Lever Styles



Sentinel (S)



Quest (Q)



Wolfsburg (W)



Wolfsburg R (WR)

### Code Compliance

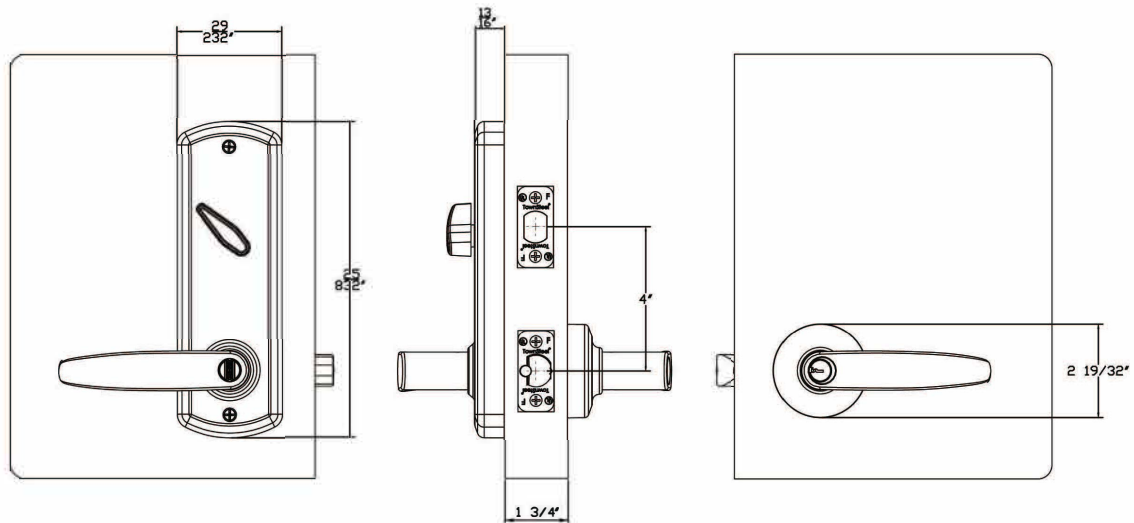
- Americans with Disabilities Act
- EU RoHS Directive 2002/95/EC
- ANSI/BHMA A156.12 Grade 1
- UL 10C 3 Hour Rated

# m-Genius-C

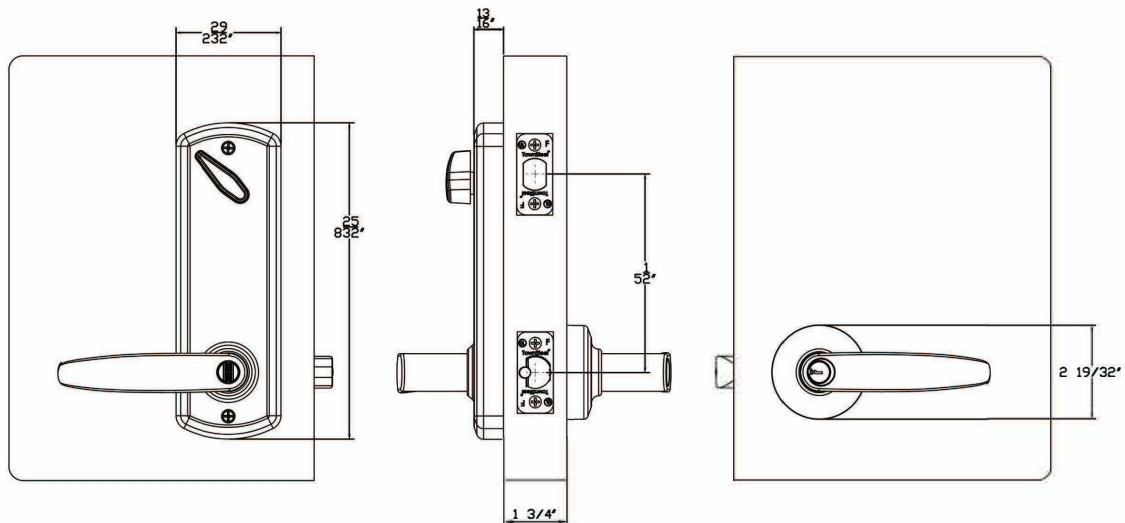
Mechanical Interconnect Lock (available in 4" or 5 1/2" spacing)



**4"**  
(40 lockbody)



**5 1/2"**  
(55 lockbody)



## How To Order

<b>Series</b>	m-Genius-C
<b>Function</b>	S: Storeroom / T: Entry (Toggle Function)
<b>Lever Style</b>	S: Sentinel / Q: Quest / W: Wolfsburg / WR: Wolfsburg R
<b>Handing</b>	RH / LH / RHR / LHR
<b>Finish</b>	619: US15, Satin Nickel / 622: US19, Flat Black 626: US26D, Satin Chrome / Or special color upon request
<b>Lockbody</b>	40: 4" / 55: 5-1/2"
<b>Faceplates</b>	N: 1" x 2-1/4" / W: 1-1/8" x 2-1/4"
<b>Cylinder</b>	Key in lever option:
	SC Schlage® 6-pin with "C" keyway, standard
	K6 Kwikset® 6-pin with "KW" keyway
	HS6 High security 6-pin with TownSteel "L" keyway
	SF6 Best® 6-pin, IC core with "A" keyway
SF7 Best® 7-pin, IC core with "A" keyway	
HS7 High security 7-pin, IC core with TownSteel "L" keyway	
Less cylinder core option:	
SF Schlage® small format IC, SFIC	
SLF Schlage® large format IC, SLFIC	
CLF Corbin® large format IC, CLFIC	

Lever      Finish      Faceplates  
 ↑            ↑            ↑  
**MGCTT - SLH626 - 55WSC**  
 ↓            ↓            ↓            ↓  
 Function    Handing    Lockbody    Cylinder