

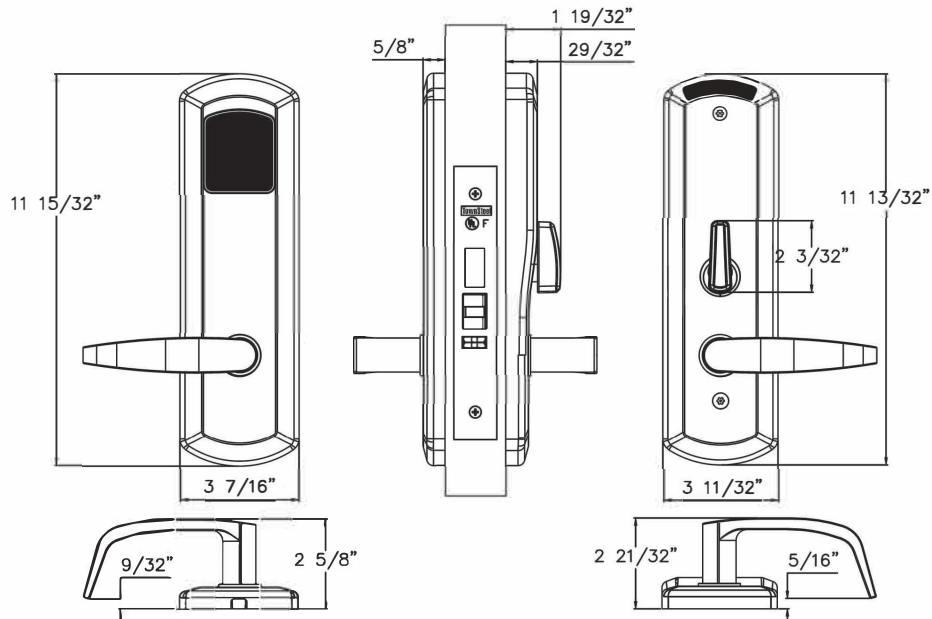
# e-KONTOS 1A Series



ANSI Grade 1



## Profile



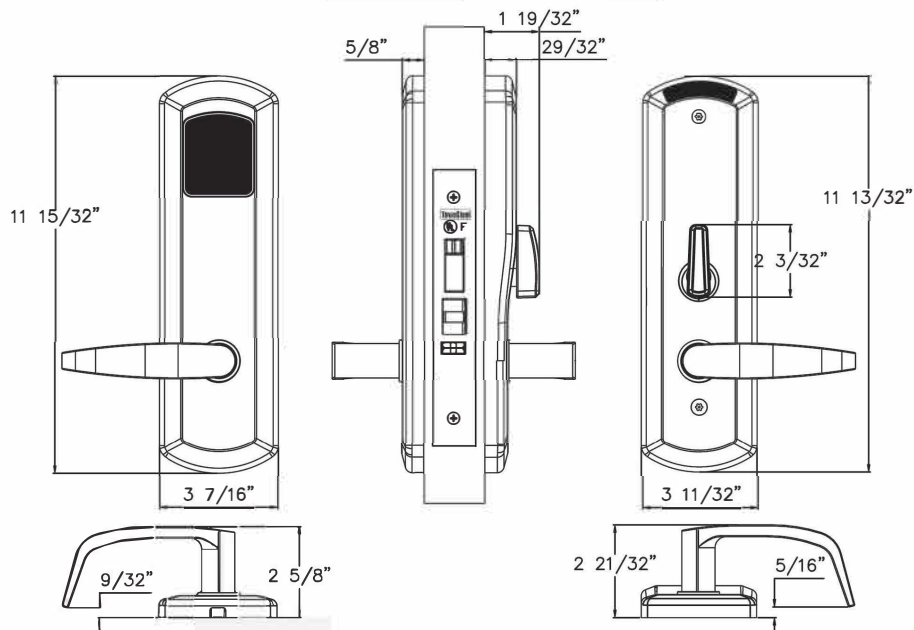
## How To Order

Series	e-Kontos 1A: No cylinder
Model Number	5R: 5000-RF(WiFi) / 5B: 5000-BLE(Bluetooth) 6: 6000(Maxx Access System)
Lockbody	R: Rigid / C: Clutched / X: Automatic Deadbolt Series
Lever Style	S: Sentinel / Q: Quest / Or see TownSteel Catalog
Finish	622: US19, Flat Black / 626: US26D, Satin Chrome Or special color upon request
Cylinder	N/A

Model Number Lever  
**EKO 1A6R - SLH 626**  
 Series Lockbody Finish



### Profile



### How To Order

Series	e-Kontos 1A: No cylinder
Model Number	5R: 5000-RF(WiFi) / 5B: 5000-BLE(Bluetooth) 6: 6000(Maxx Access System)
Lockbody	R: Rigid / C: Clutched / X: Automatic Deadbolt Series
Lever Style	S: Sentinel / Q: Quest / Or see TownSteel Catalog
Finish	622: US19, Flat Black / 626: US26D, Satin Chrome Or special color upon request
Cylinder	N/A

Model Number    Lever  
**EKO 1A6X-SLH626**  
 Series    Lockbody    Finish

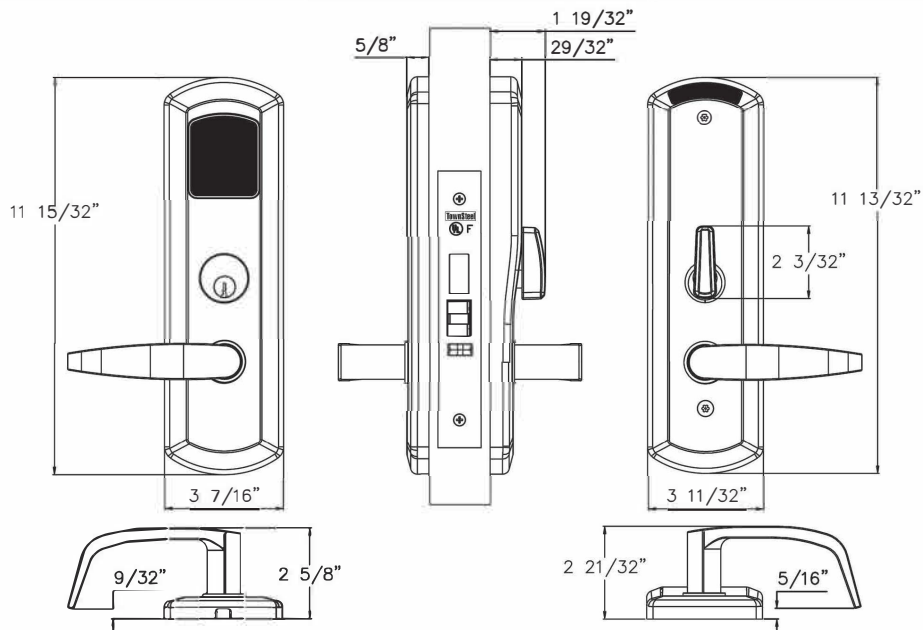
# e-KONTOS 1B Series



ANSI Grade 1



## Profile



## How To Order

Series	e-Kontos 1B: With cylinder
Model Number	5R: 5000-RF(WiFi) / 5B: 5000-BLE(Bluetooth) 6: 6000(Maxx Access System)
Lockbody	R: Rigid / C: Clutched / X: Automatic Deadbolt Series
Lever Style	S: Sentinel / Q: Quest / Or see TownSteel Catalog
Finish	622: US19, Flat Black / 626: US26D, Satin Chrome Or special color upon request
Cylinder	Any mortise cylinder can be used

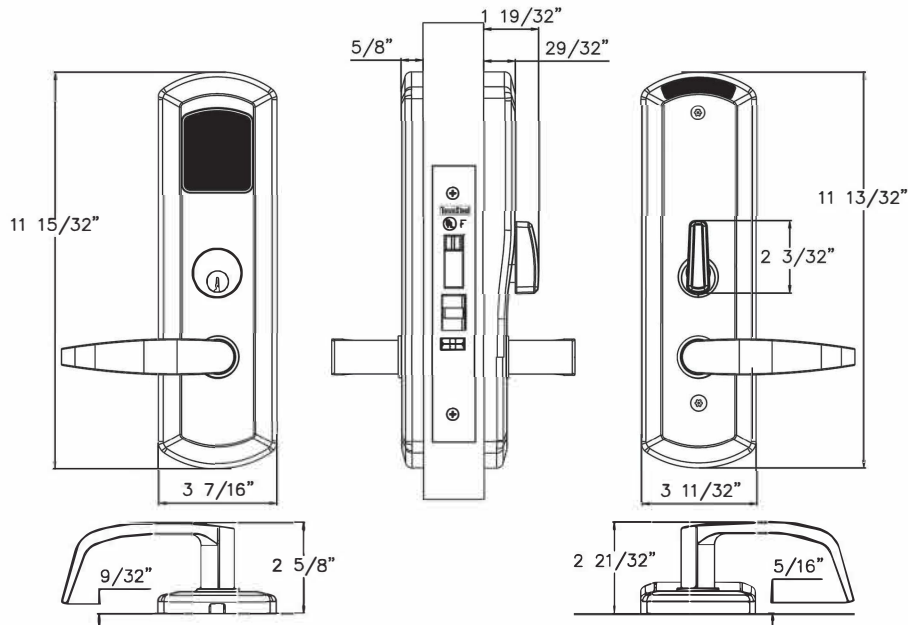
Model Number    Lever    Cylinder

**EKO 1B6R-SLH626-SFIC7**

Series    Lockbody    Finish

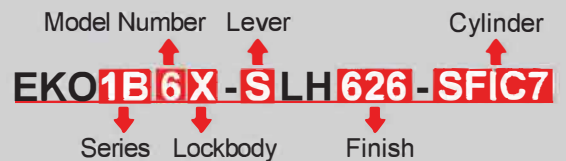


### Profile



### How To Order

Series	e-Kontos 1B: With cylinder
Model Number	5R: 5000-RF(WiFi) / 5B: 5000-BLE(Bluetooth) 6: 6000(Maxx Access System)
Lockbody	R: Rigid / C: Clutched / X: Automatic Deadbolt Series
Lever Style	S: Sentinel / Q: Quest / Or see TownSteel Catalog
Finish	622: US19, Flat Black / 626: US26D, Satin Chrome Or special color upon request
Cylinder	Any mortise cylinder can be used



# e-KONTOS

e-Kontos Series Mortise Locks



**US Patented**



## ANSI/BHMA Certified Grade 1 Smart Motorized Mortise Lock

<b>Series</b>	e-KONTOS 5000 BLE (Bluetooth) or RF (WiFi), 6000
<b>Lockbody</b>	Clutched, Rigid or XADB
<b>Levers</b>	Sentinel or Quest, others upon request
<b>Finish</b>	622 (US19) and 626 (US26D), others upon request
<b>Cylinder</b>	SC (Schlage C keyway), SFIC / SLFIC / CLFIC with/without core, or high security
<b>ANSI/BHMA A156.13</b>	Grade 1 certified
<b>ANSI/BHMA A156.25</b>	Meets Industry Standards
<b>UL/ULC</b>	UL10C 3-hour rated
<b>BAA</b>	Meets guidelines of the Buy American Act
<b>FCC</b>	FCC Part 15 certified



### How To Order

<b>Series</b>	e-Kontos 1A: No cylinder; e-Kontos 1B: With cylinder
<b>Model Number</b>	5R: 5000-RF(WiFi) / 5B: 5000-BLE(Bluetooth) 6: 6000(Maxx Access System)
<b>Lockbody</b>	R: Rigid / C: Clutched / X: Automatic Deadbolt Series
<b>Lever Style</b>	S: Sentinel / Q: Quest / Or see TownSteel Catalog
<b>Finish</b>	622: US19, Flat Black / 626: US26D, Satin Chrome Or special color upon request
<b>Cylinder</b>	Any mortise cylinder can be used

