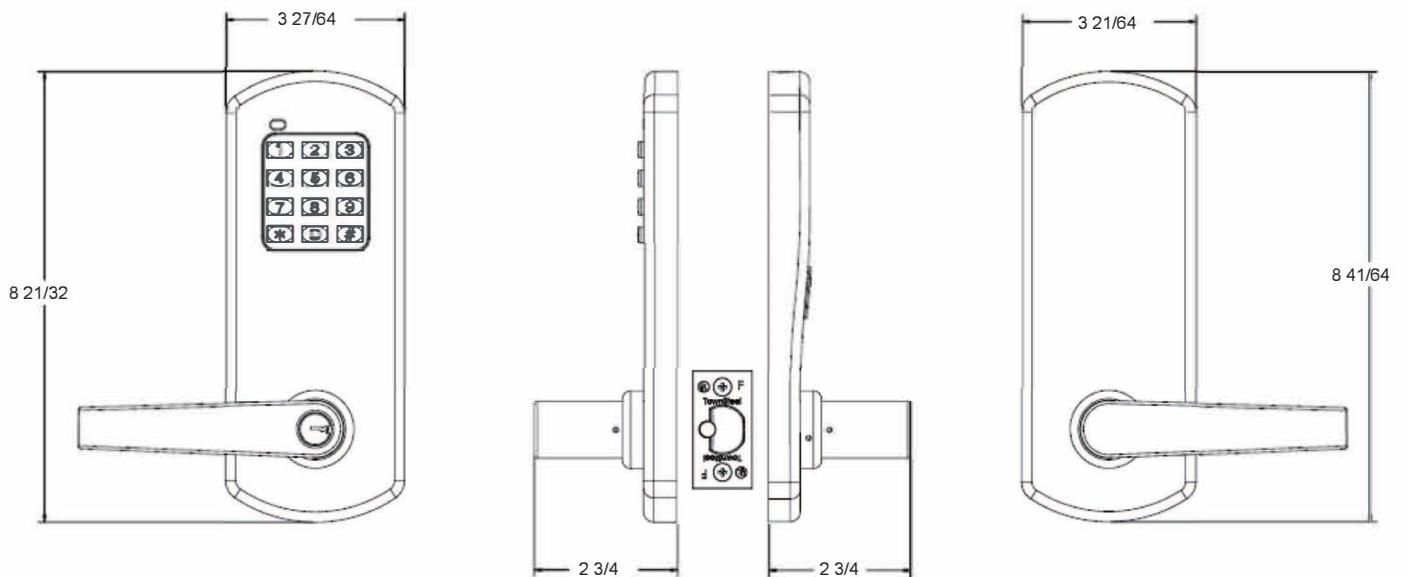


XCE-2000

Standalone Motorized Cylindrical Lock



Profile



XCE-2000

Standalone Motorized Cylindrical Lock

Mechanical Specifications

- Door Thickness: 1-3/4"
- Backset: 2-3/4" standard, optional: 2-3/8", 5"
- Clutched or Rigid trim
- Latch Bolt: Stainless steel, deadlocking, 1/2" throw
- Faceplate: 1-1/8" x 2-1/4"
- Strike: ASA strike standard, 1-1/4" x 4-7/8"
- Escutcheon: Steel or zinc alloy
- Lever: Zinc or stainless steel

Electronic Specifications

- Programmable at the lock
- Battery operated, no hard wiring required
- Low battery warning
- Standard 12-key illuminated keypad
- Non-volatile memory
- Weather resistant

Cylinder Specifications

Key in lever option:

- **SC:** Schlage® 6-pin with "C" keyway, standard
- **K6:** Kwikset® 6-pin with "KW" keyway
- **HS6:** High security 6-pin with TownSteel® "L" keyway
- **SF6:** Best® 6-pin, IC core with "A" keyway
- **SF7:** Best® 7-pin, IC core with "A" keyway
- **HS7:** High security 7-pin, IC core with TownSteel® "L" keyway

Less cylinder option:

- **SF:** Schlage® small format IC, SFIC
- **SLF:** Schlage® large format IC, SLFIC
- **CLF:** Corbin® large format IC, CLFIC

Finishes

- **622:** US19, Flat Black
- **626:** US26D, Satin Chrome
Or special color upon request

Available Lever Styles



Programming Features

- **Master Code-** programs all User Codes, Service Codes, System Setting and opens the lock
- **User Code-** are programmed by Master Code and used to operate the lock
- **Service Code-** allows one entry per code and deleted after used
- **Pin Code-** 4-6 digits
- **Passage Mode-** remain door actively unlocked until disabled by Master Code
- **LED indicator** located around the keypad of the lock and flashes green/red LED dependent on inputs
- **Keypad sound adjustable**
- **100 User Codes, 5 Service Codes capacity**
- **Programmable via keypad at the lock**
- **Remote Access Terminal** for remote control button connection
- **Manager Code and Group Function** as available options per request

Code Compliance

- ANSI/BHMA A156.2 Grade 1 certified
- UL 10C-3 hour rated
- Meets guidelines of Buy American Act
- Meets requirements of the Americans with Disabilities Act



Warranty

- 2-year limited for electronic
- 10-year limited for mechanical

How To Order

Series	XCE-2000
Lockbody	1: Rigid / 2: Clutched
Lever Style	S: Sentinel / Q: Quest / G: Gala / W: Wolfsburg / WR: Wolfsburg R
Finish	622: US19, Flat Black / 626: US26D, Satin Chrome Or special color upon request
Cylinder	SC / K6 / SF / SF6 / SF7 / SLF / GLM / HS6 / HS7 *KD standard, KA, MK, GMK, GGMK upon request
Backset	Blank: 2-3/4" / R: 2-3/8" / E: 5"

