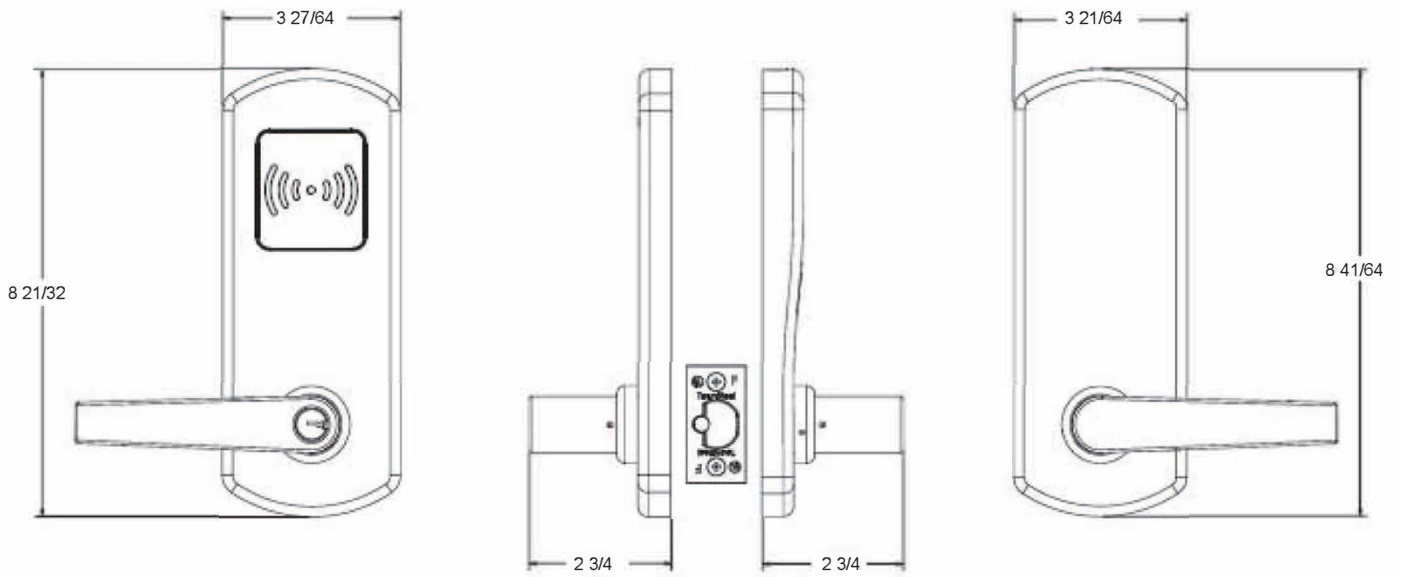


FCE-2000

Standalone Motorized Cylindrical Lock



Profile



FCE-2000

Standalone Motorized Cylindrical Lock

Mechanical Specifications

- Door Thickness: 1-3/4"
- Backset: 2-3/4" standard, optional: 2-3/8", 5"
- Clutched or Rigid trim
- Latch Bolt: Stainless steel, deadlocking, 1/2" throw
- Faceplate: 1-1/8" x 2-1/4"
- Strike: ASA strike standard, 1-1/4" x 4-7/8"
- Escutcheon: Steel or zinc alloy
- Lever: Zinc or stainless steel

Electronic Specifications

- Programmable at the lock with Keycards
- Battery operated, no hard wiring required
- Low battery warning
- Encrypted Keycards, 8-bit Universal Identification (UID)
- Mifare technology with NFC tag
- Vandal Resistant RFID reader
- Non-volatile memory
- Weather resistant lock

Cylinder Specifications

Key in lever option:

- **SC:** Schlage® 6-pin with "C" keyway, standard
- **K6:** Kwikset® 6-pin with "KW" keyway
- **HS6:** High security 6-pin with TownSteel® "L" keyway
- **SF6:** Best® 6-pin, IC core with "A" keyway
- **SF7:** Best® 7-pin, IC core with "A" keyway
- **HS7:** High security 7-pin, IC core with TownSteel® "L" keyway

Less cylinder option:

- **SF:** Schlage® small format IC, SFIC
- **SLF:** Schlage® large format IC, SLFIC
- **CLF:** Corbin® large format IC, CLFIC

Finishes

- **622:** US19, Flat Black
- **626:** US26D, Satin Chrome
- Or special color upon request

Available Lever Styles



Programming Features

- **Construction Keycard-** used for opening the lock in the Factory and remain the door relock within 5 seconds after opening
- **User Keycard-** use to open the lock once programmed and remain the lock relock within 5 seconds after opening
- **Office Keycard-** use to open the lock once programmed. Open the lock and allow the lock to remain open until next code entry
- **Programming Keycard-** use for programming User Keycards, Office Keycards and importing information into the lock
- **Clear Keycard-** use for deleting User Keycards, Office Keycards and exporting information from the lock
- **Register Keycard-** use as a backup if the programming and/or Clear Keycards are lost Up to 250 Keycards programmed into each lock (combined total of User and Office Keycards)

Code Compliance

- ANSI/BHMA A156.2 Grade 1 certified
- UL 10C-3 hour rated
- Meets guidelines of Buy American Act
- Meets requirements of the Americans with Disabilities Act



Warranty

- 2-year limited for electronic
- 10-year limited for mechanical

How To Order

Series	FCE-2000
Lockbody	1: Rigid / 2: Clutched
Lever Style	S: Sentinel / Q: Quest / G: Gala / W: Wolfsburg / WR: Wolfsburg R
Finish	622: US19, Flat Black / 626: US26D, Satin Chrome Or special color upon request
Cylinder	SC / K6 / SF / SF6 / SF7 / SLF / CLF / HS6 / HS7 *KD standard, KA, MK, GMK, GGMMK upon request
Backset	Blank: 2-3/4" / R: 2-3/8" / E: 5"

