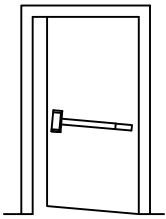


TEMPLATE

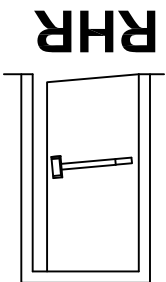
OF CONCEALED VERTICAL ROD DEVICE (1:1)



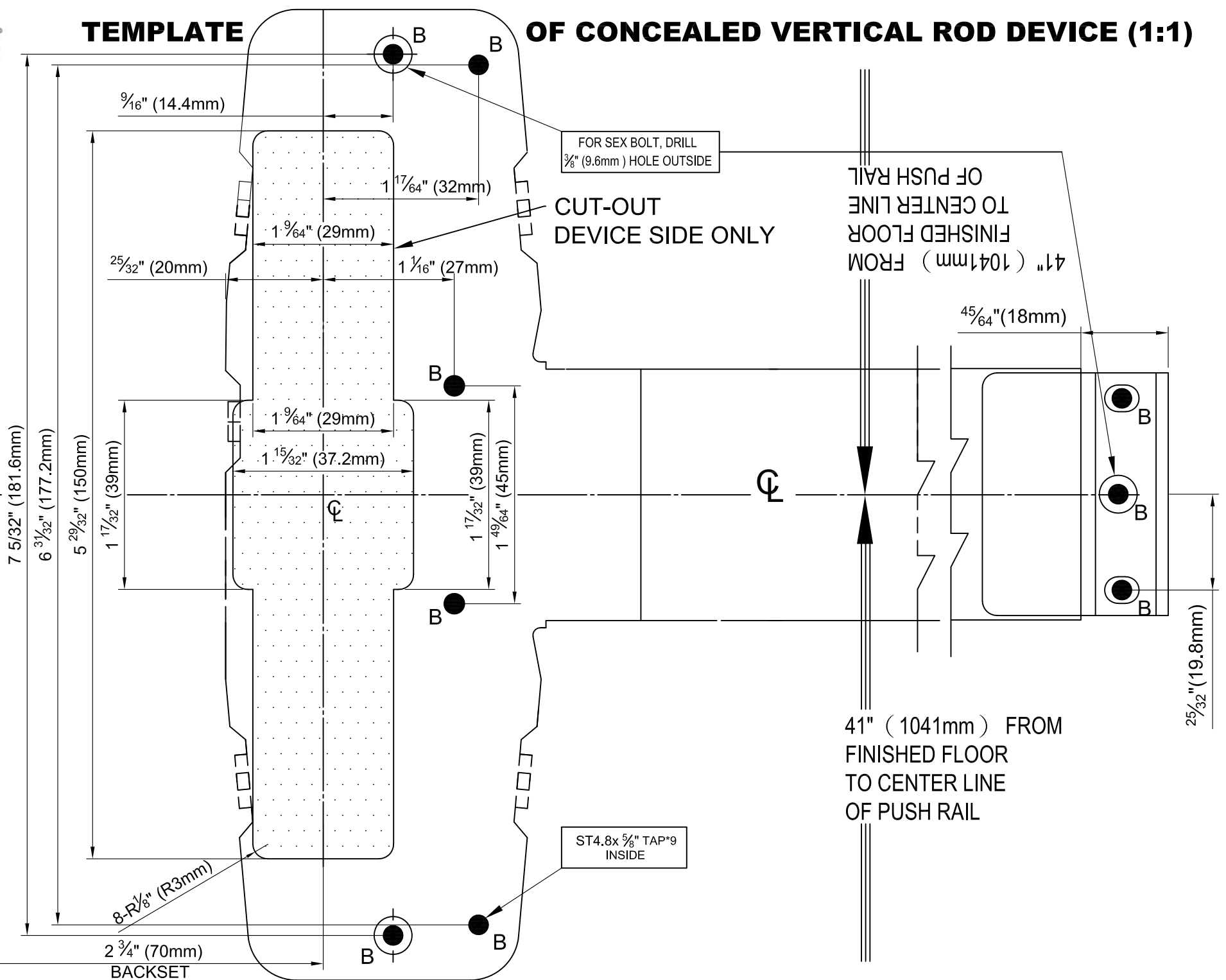
LHR

FOLD ON DOTTED LINE AND FIT ON DOOR EDGE

CL of Device



RHR



FOR SEX BOLT, DRILL
 $\frac{3}{8}$ " (9.6mm) HOLE OUTSIDE

CUT-OUT
DEVICE SIDE ONLY

41" (1041mm) FROM
FINISHED FLOOR
TO CENTER LINE
OF PUSH RAIL

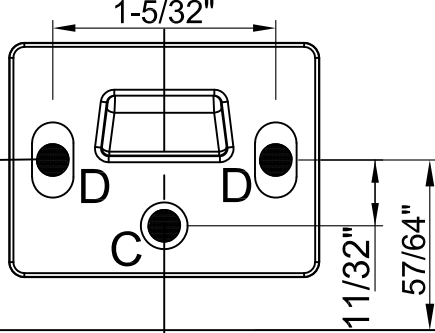
41" (1041mm) FROM
FINISHED FLOOR
TO CENTER LINE
OF PUSH RAIL

ST4.8x $\frac{5}{8}$ " TAP*9
INSIDE

TEMPLATE of Top Latch **【Top Strike (regular use)】** (1:1)

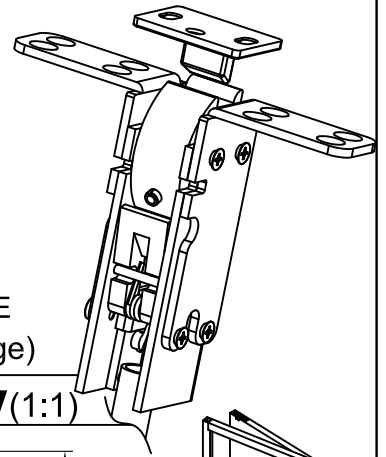
Fix/tighten (D) firstly
then fix/tighten (C)

#10 TAP*3



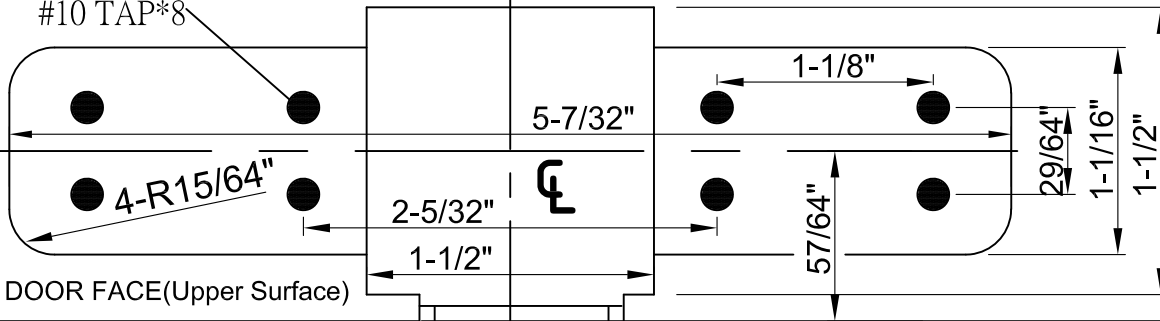
DOOR FRAME
(Upper Surface)

FOLD HERE
ON DOTTED LINE
(Door Inside Edge)

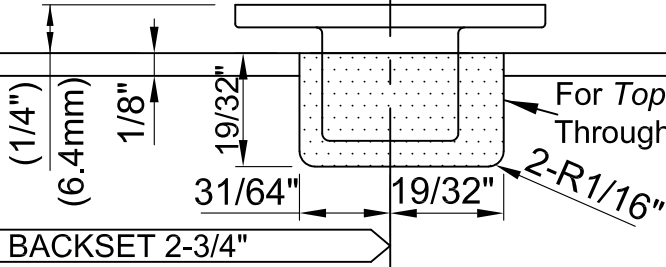
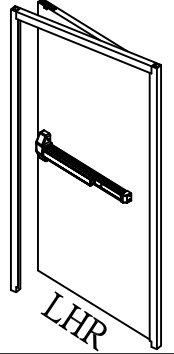


TEMPLATE of Top Latch Housing Assy **【Top Mounting Plate (regular use)】** (1:1)

#10 TAP*8



DOOR FACE (Upper Surface)



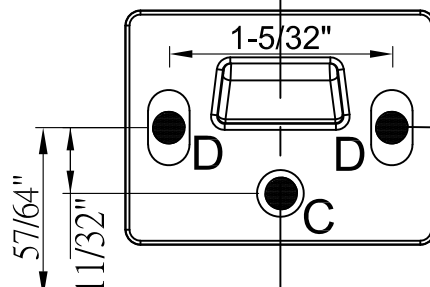
UP
DOOR INSIDE
FACE

TEMPLATE of Top Latch **【Top Strike (regular use)】** (1:1)

Fix/tighten (D) firstly
then fix/tighten (C)

#10 TAP*3

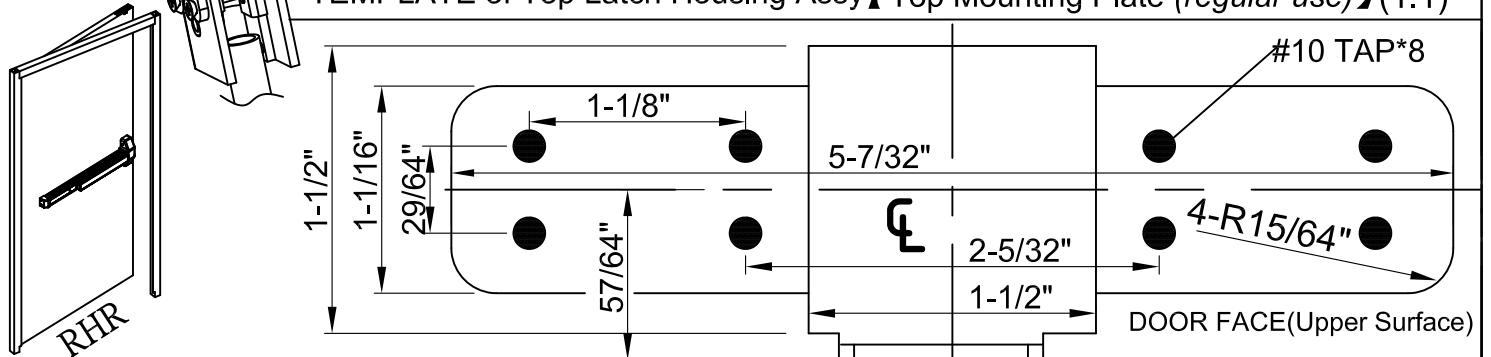
FOLD HERE
ON DOTTED LINE
(Door Inside Edge)



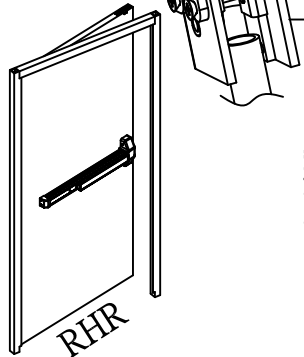
DOOR FRAME
(Upper Surface)

TEMPLATE of Top Latch Housing Assy **【Top Mounting Plate (regular use)】** (1:1)

#10 TAP*8

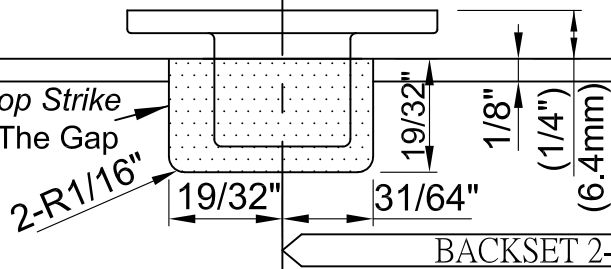


DOOR FACE (Upper Surface)

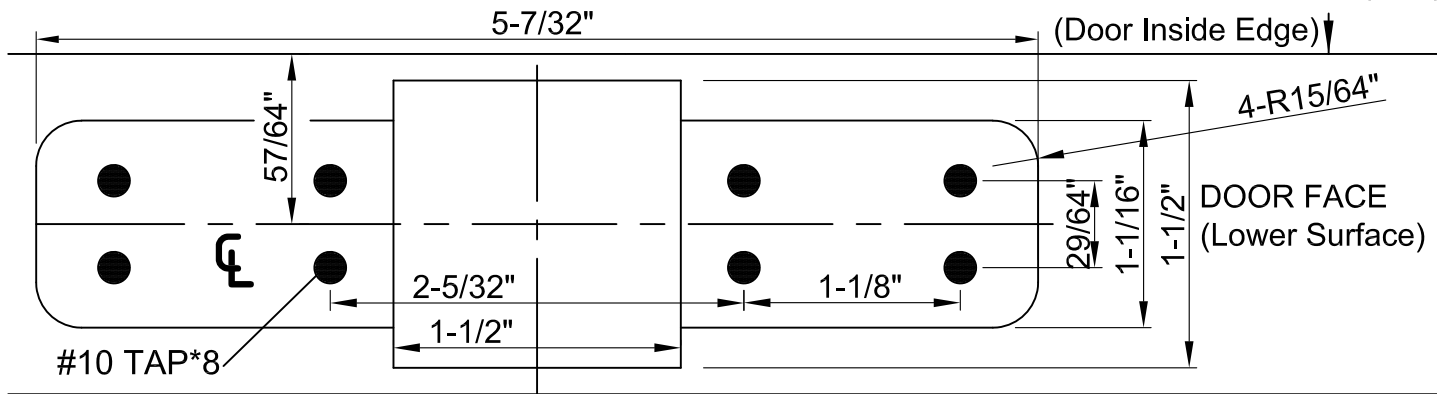


UP
DOOR INSIDE
FACE

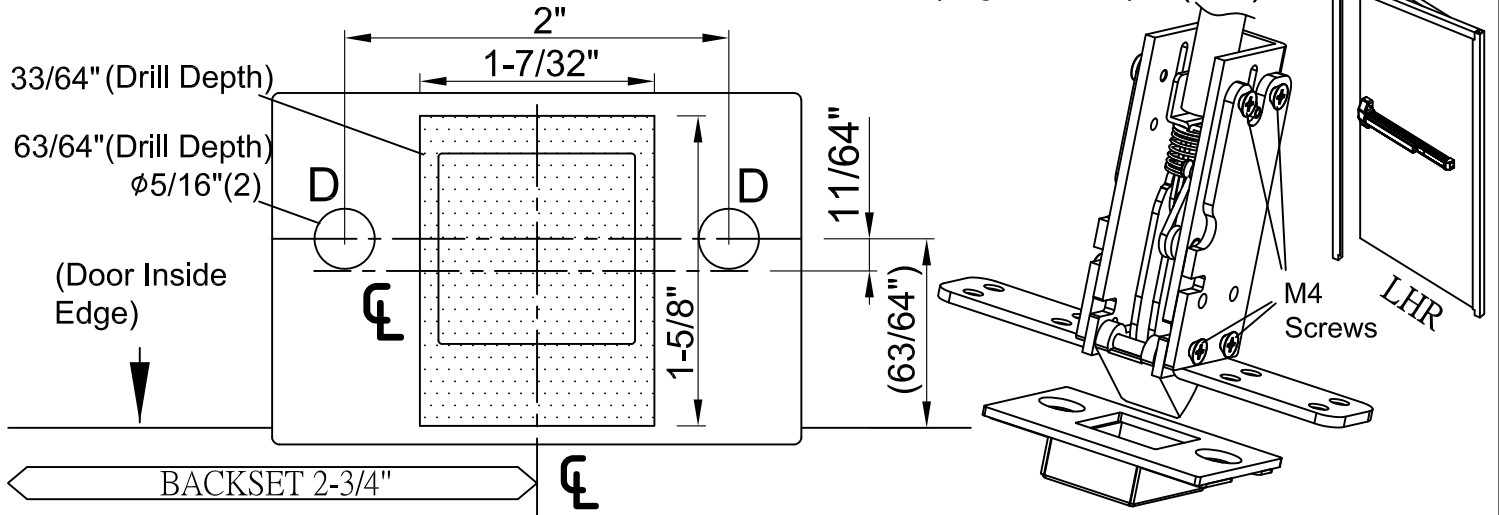
For Top Strike
Through The Gap



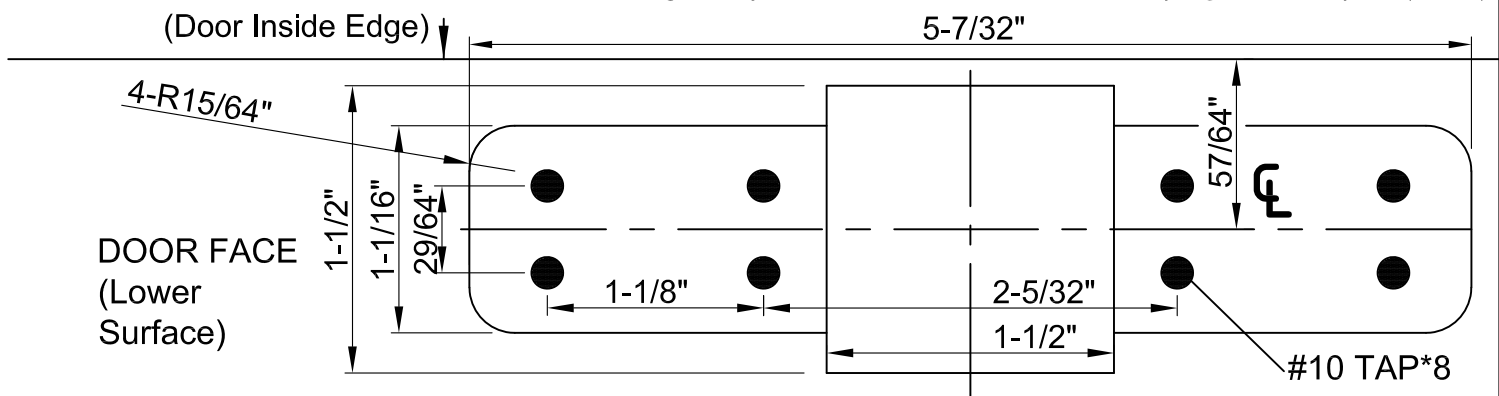
TEMPLATE of Bottom Latch Housing Assy 【Bottom Mounting Plate (regular use)】 (1:1)



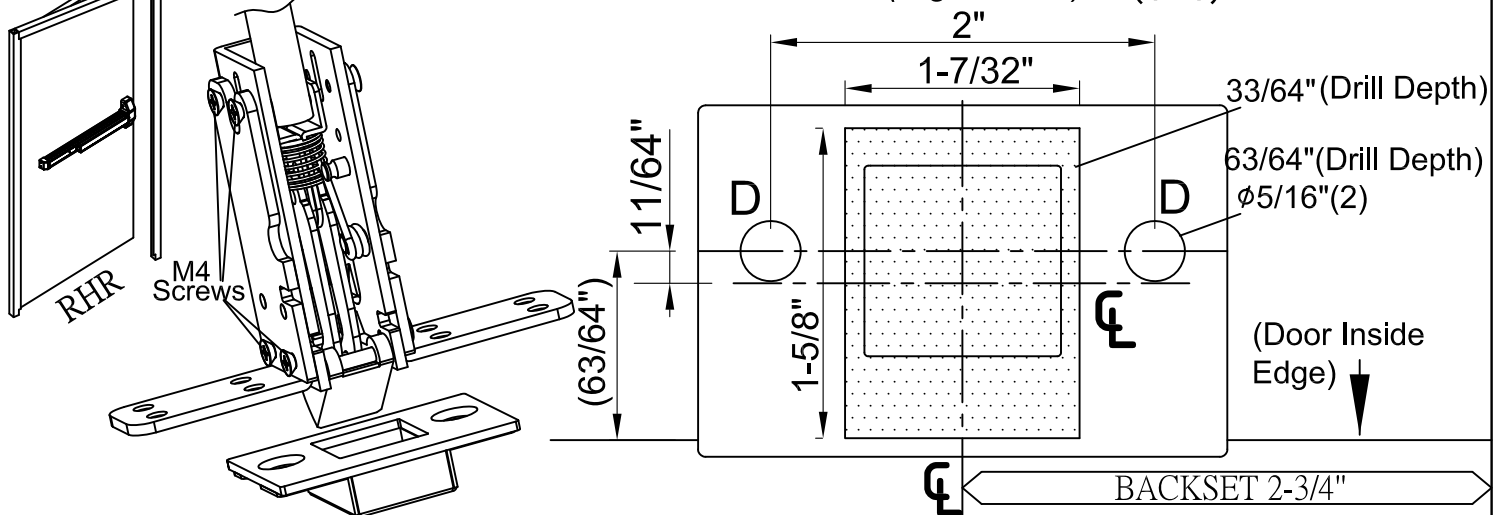
TEMPLATE of Bottom Latch 【Mortise Strike (regular use)】 (1:1)

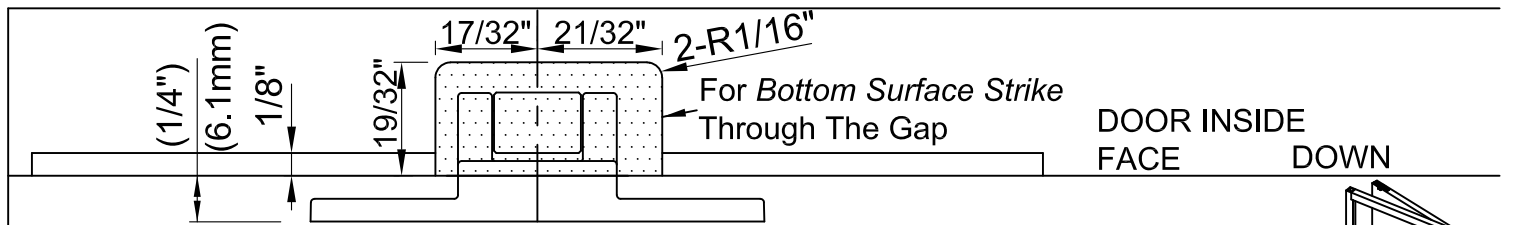


TEMPLATE of Bottom Latch Housing Assy 【Bottom Mounting Plate (regular use)】 (1:1)

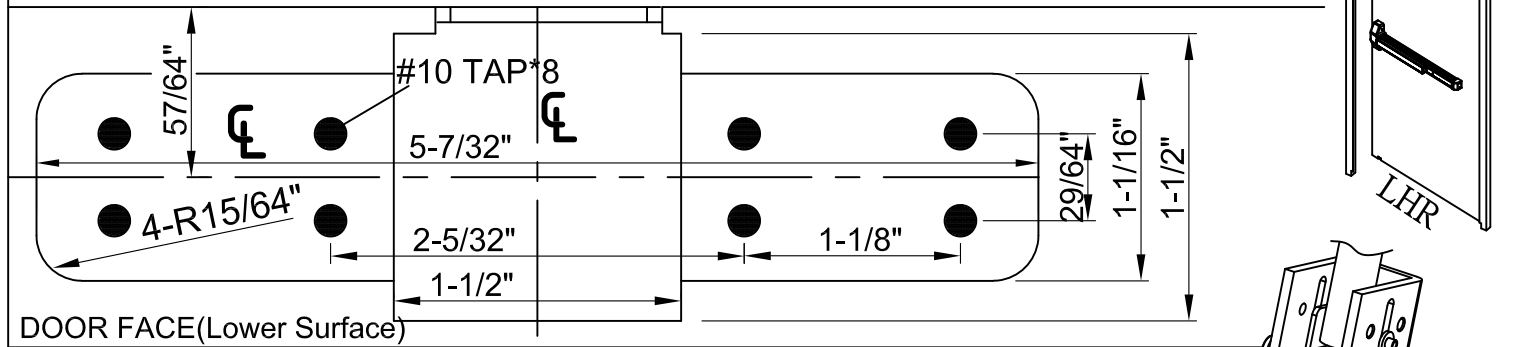


TEMPLATE of Bottom Latch 【Mortise Strike (regular use)】 (1:1)

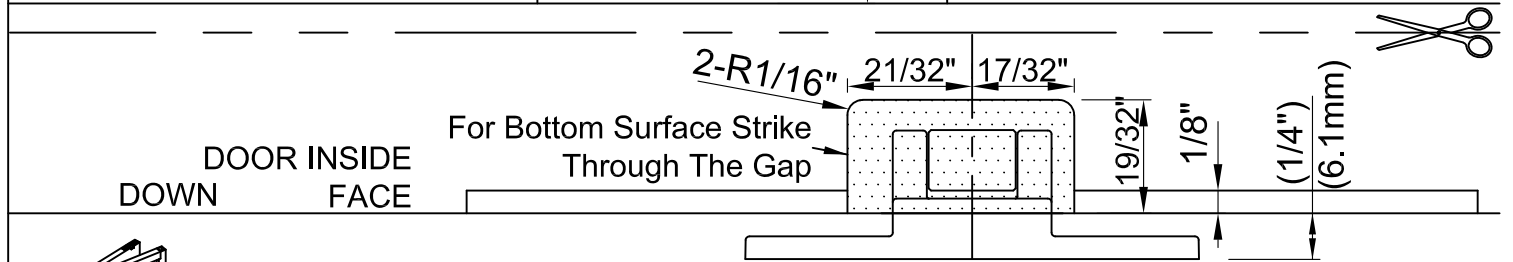
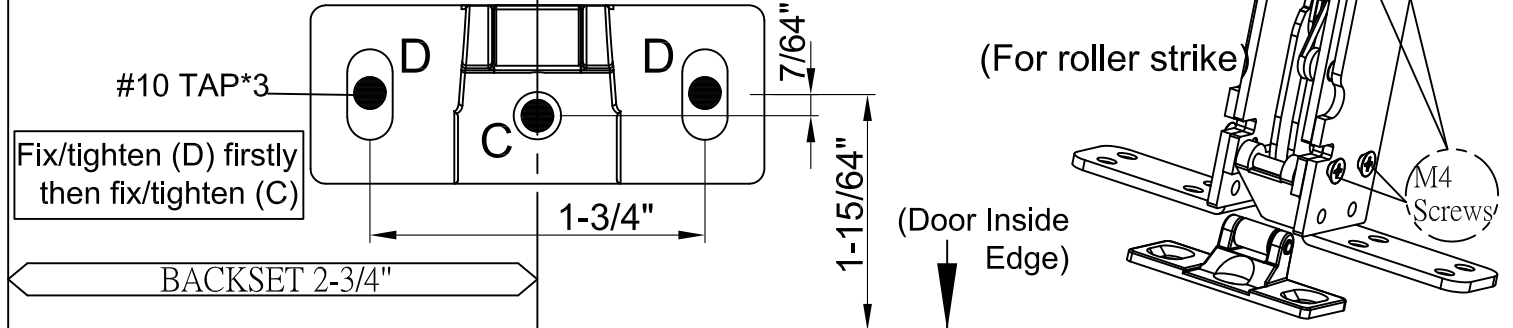




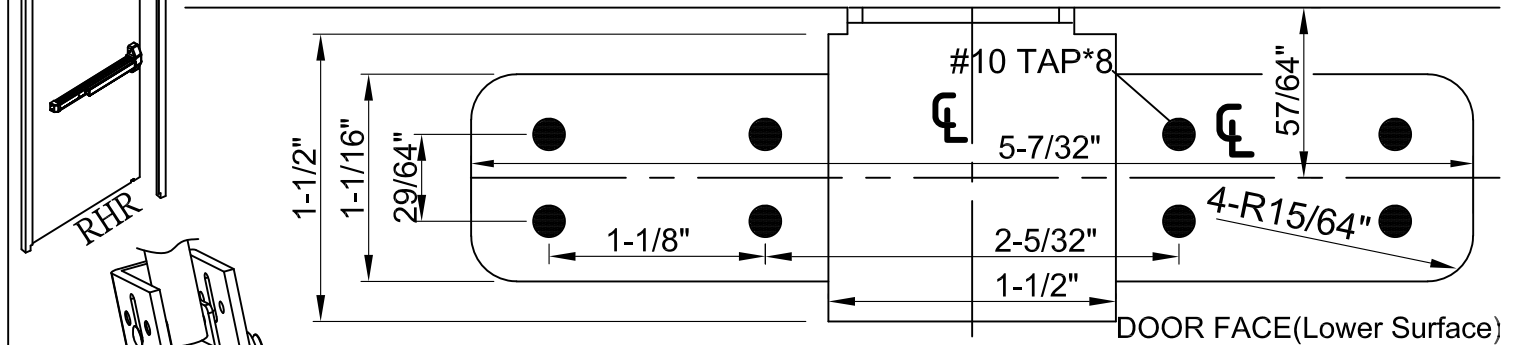
TEMPLATE of Bottom Latch Housing Assy 【Bottom Mounting Plate】 (1:1)



TEMPLATE of Bottom Latch 【Surface Strike】 (1:1)



TEMPLATE of Bottom Latch Housing Assy 【Bottom Mounting Plate】 (1:1)



TEMPLATE of Bottom Latch 【Surface Strike】 (1:1)

