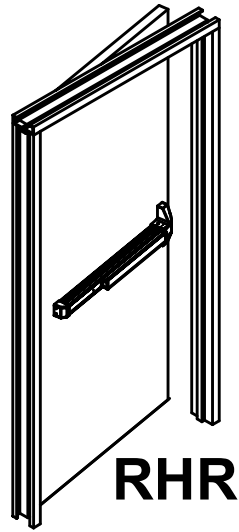
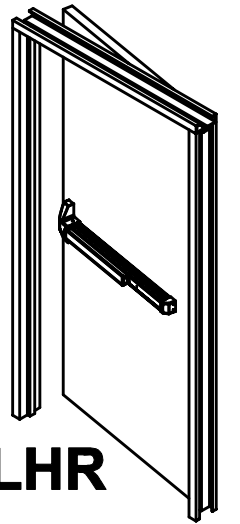


TEMPLATE OF CONCEALED VERTICAL ROD DEVICE

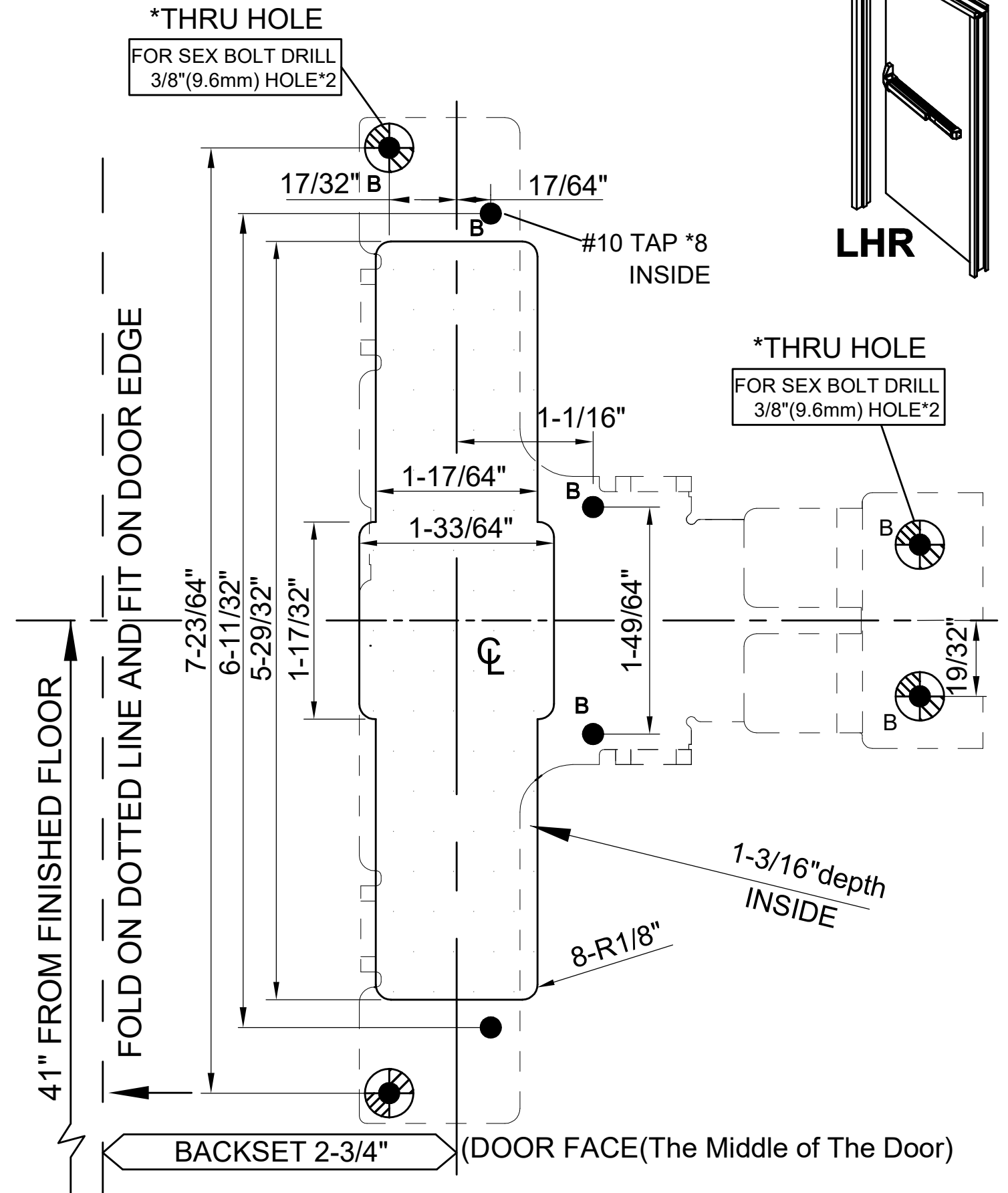
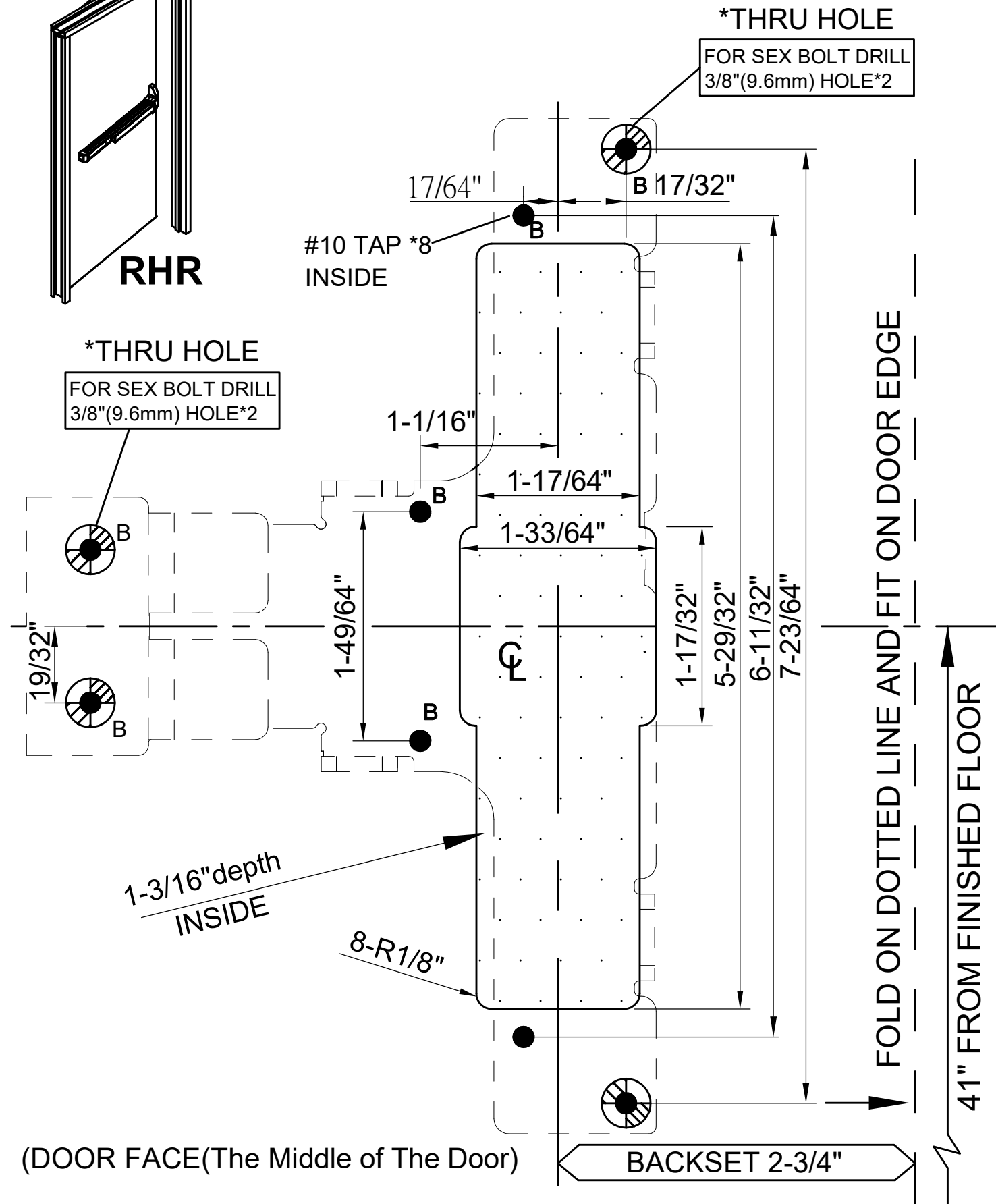
(1:1)



RHR



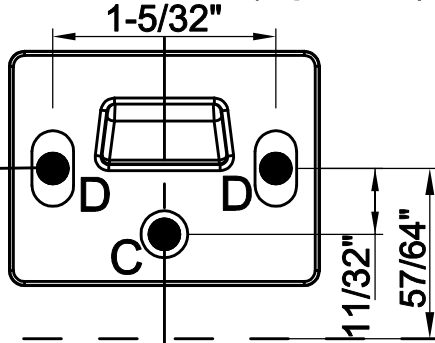
LHR



TEMPLATE of Top Latch **【Top Strike (regular use)】** (1:1)

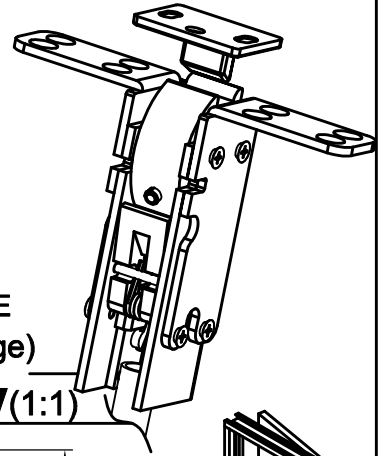
Fix/tighten (D) firstly
then fix/tighten (C)

#10 TAP*3



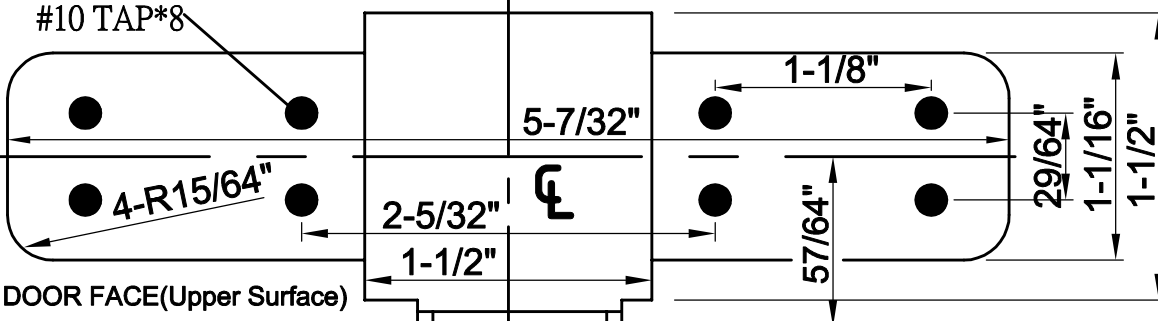
DOOR FRAME
(Upper Surface)

FOLD HERE
ON DOTTED LINE
(Door Inside Edge)

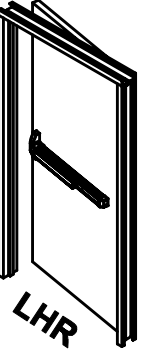


TEMPLATE of Top Latch Housing Assy **【Top Mounting Plate (regular use)】** (1:1)

#10 TAP*8



DOOR FACE (Upper Surface)



(1/4")
(6.4mm)

1/8"

19/32"

31/64"

19/32"

For Top Strike
Through The Gap

2-R1/16"

UP
DOOR INSIDE
FACE

BACKSET 2-3/4"



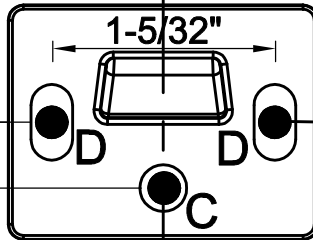
TEMPLATE of Top Latch **【Top Strike (regular use)】** (1:1)

Fix/tighten (D) firstly
then fix/tighten (C)

#10 TAP*3

FOLD HERE
ON DOTTED LINE
(Door Inside Edge)

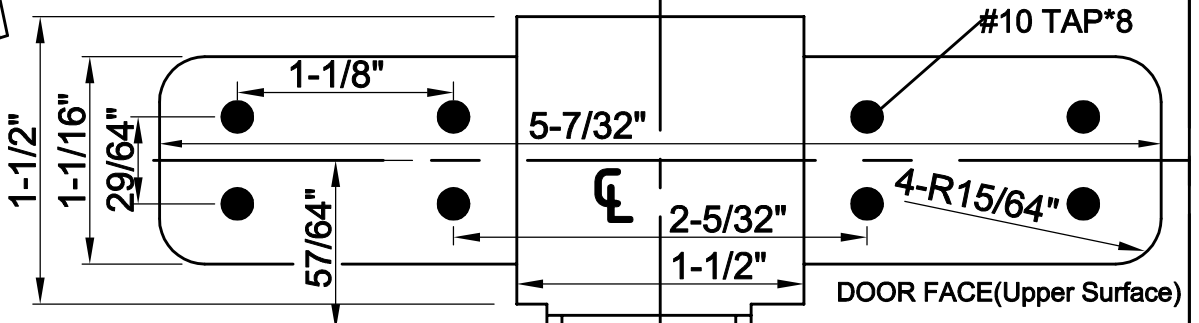
57/64"
11/32"



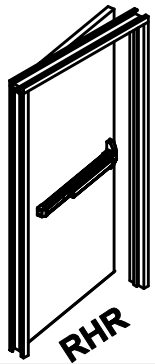
DOOR FRAME
(Upper Surface)

TEMPLATE of Top Latch Housing Assy **【Top Mounting Plate (regular use)】** (1:1)

#10 TAP*8



DOOR FACE (Upper Surface)



UP
DOOR INSIDE
FACE

For Top Strike
Through The Gap

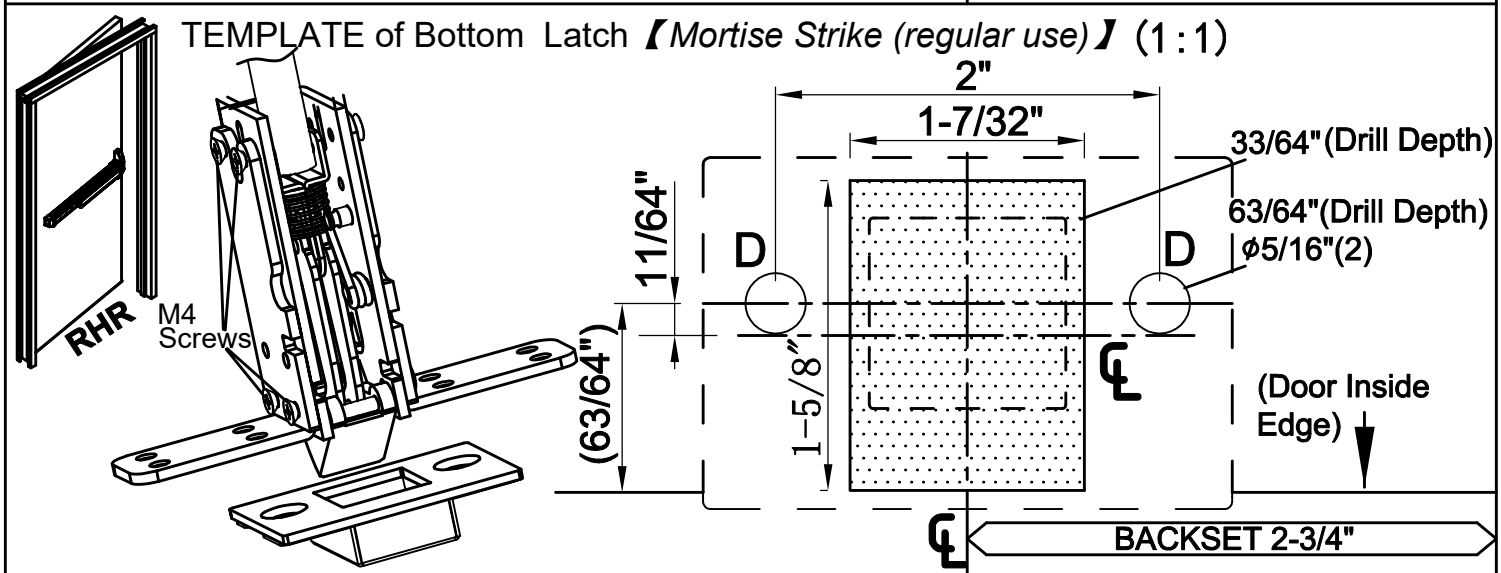
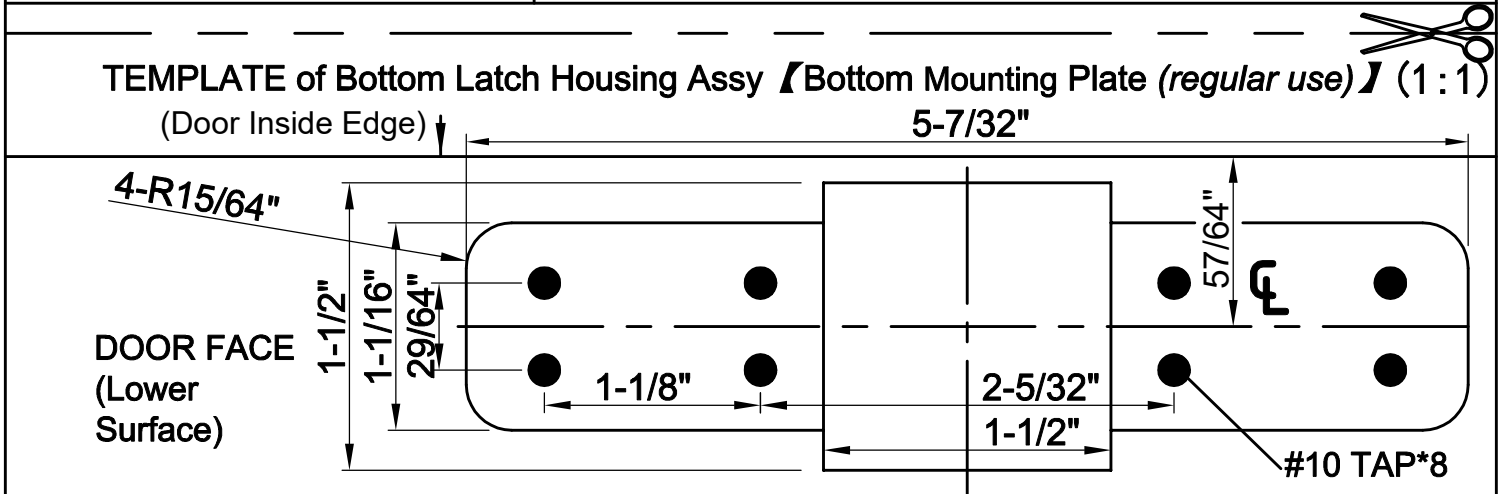
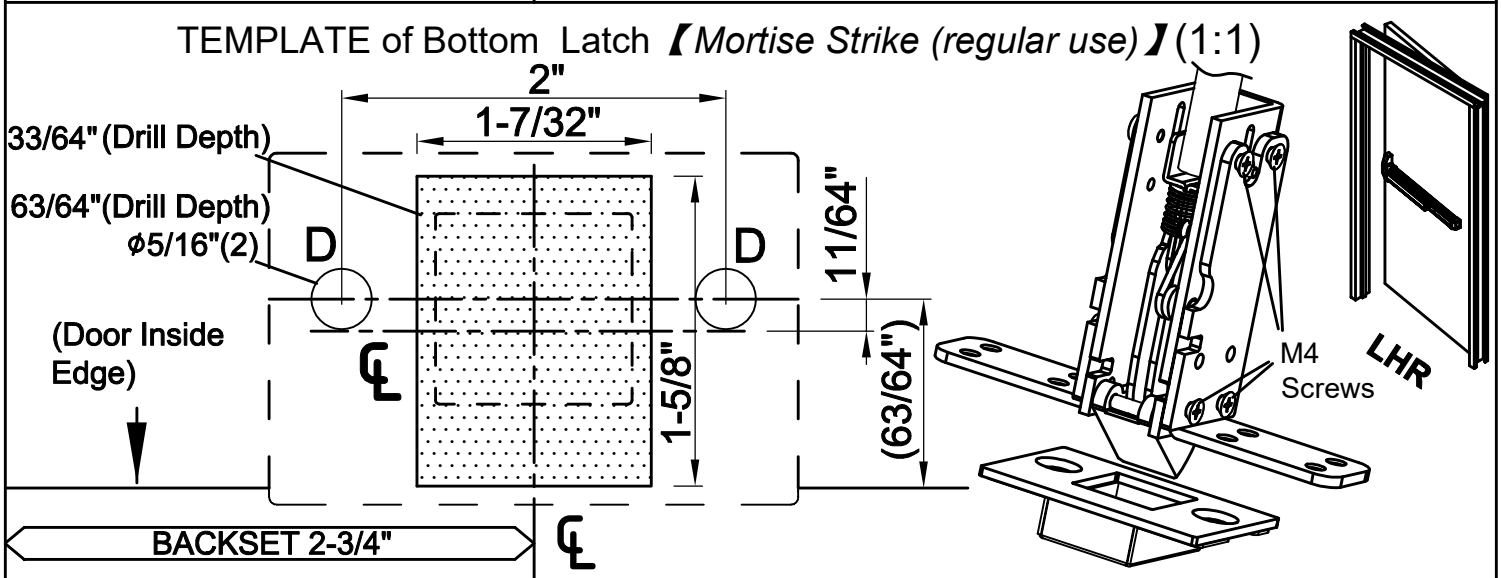
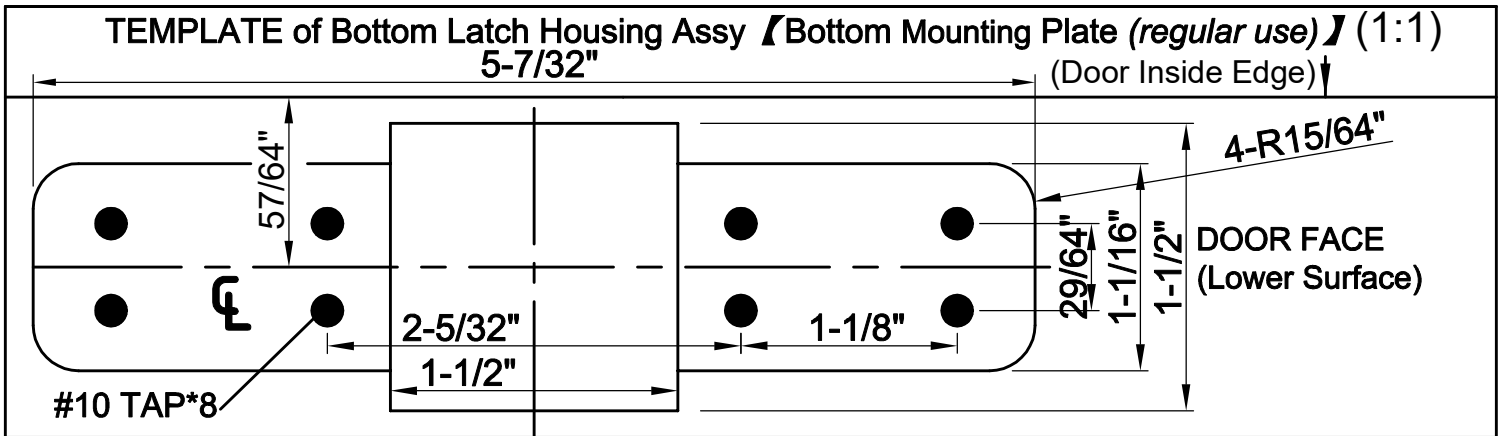
2-R1/16"

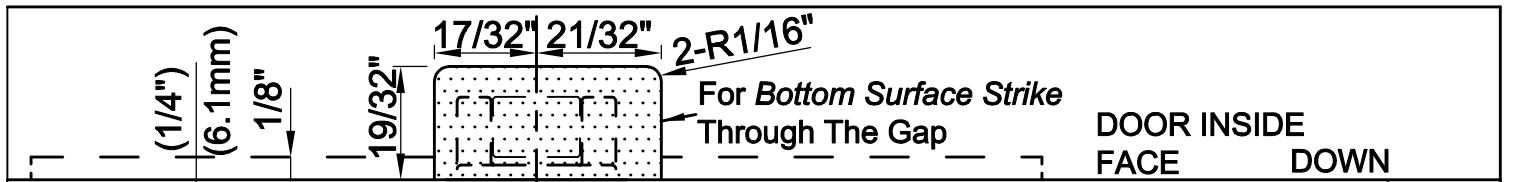
19/32"

31/64"

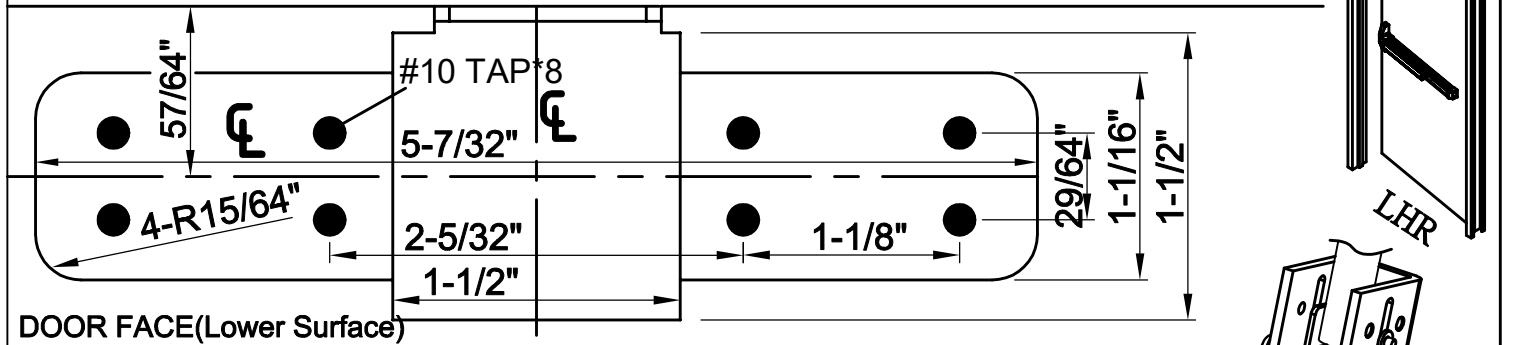
1/8"
(1/4")
(6.4mm)

BACKSET 2-3/4"

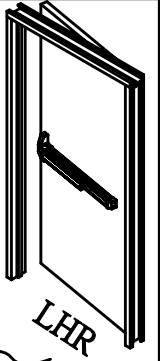




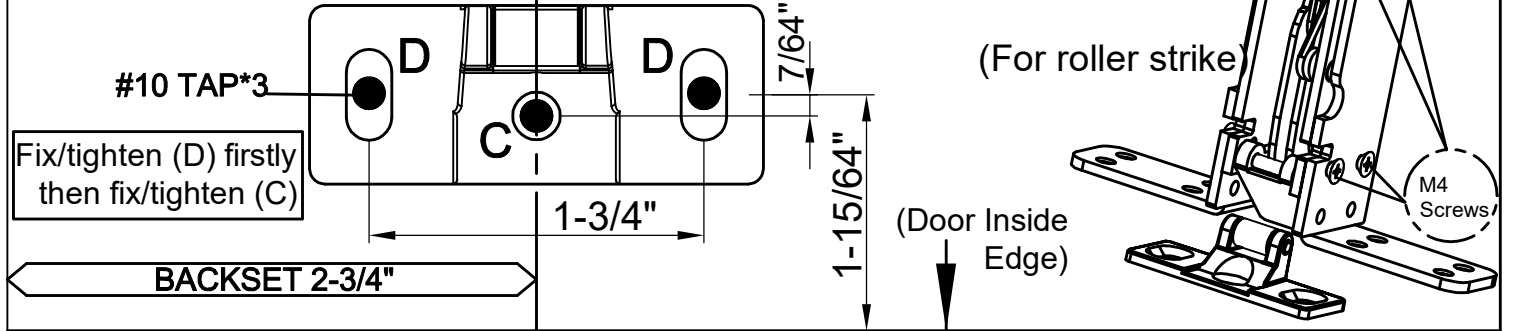
TEMPLATE of Bottom Latch Housing Assy 【Bottom Mounting Plate】 (1:1)



DOOR FACE(Lower Surface)



TEMPLATE of Bottom Latch 【Surface Strike】 (1:1)

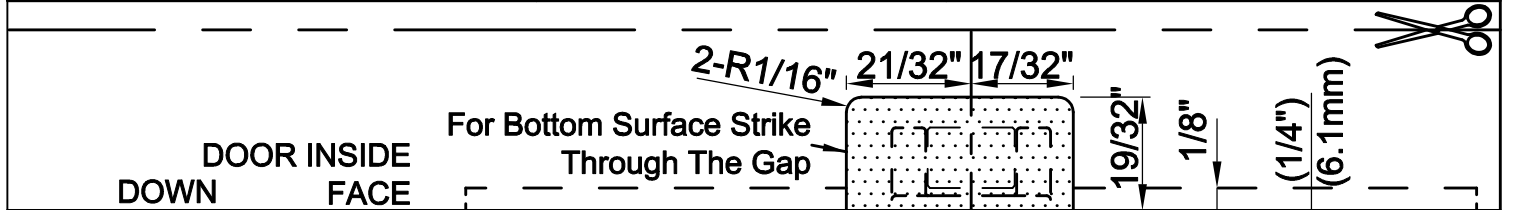


Fix/tighten (D) firstly then fix/tighten (C)

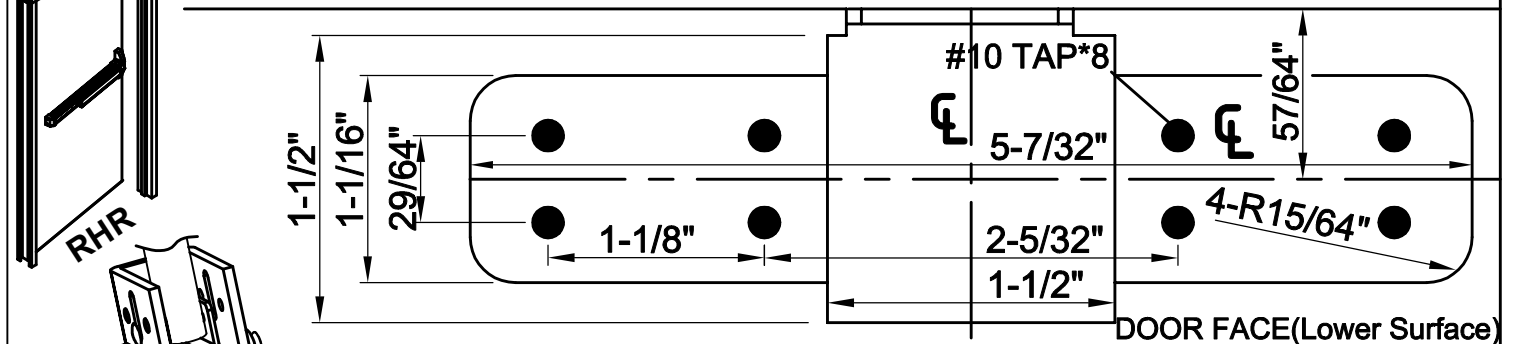
(For roller strike)

(Door Inside Edge)

M4 Screws

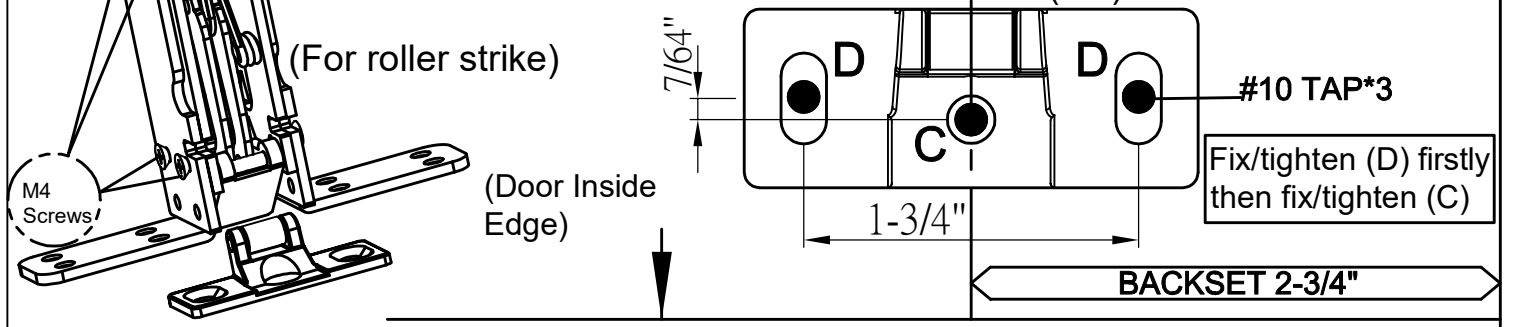


TEMPLATE of Bottom Latch Housing Assy 【Bottom Mounting Plate】 (1:1)



DOOR FACE(Lower Surface)

TEMPLATE of Bottom Latch 【Surface Strike】 (1:1)



(For roller strike)

(Door Inside Edge)

Fix/tighten (D) firstly then fix/tighten (C)