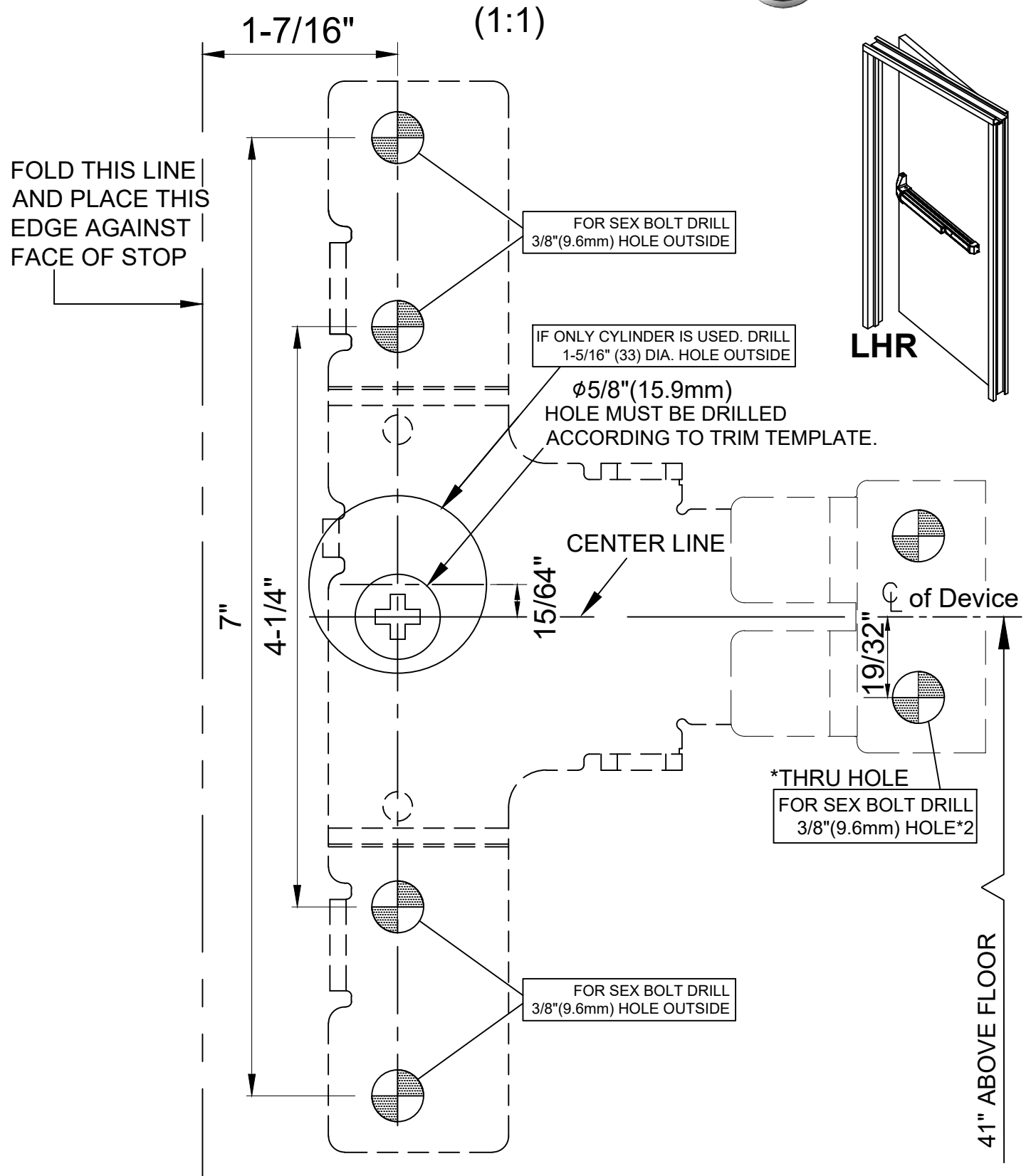
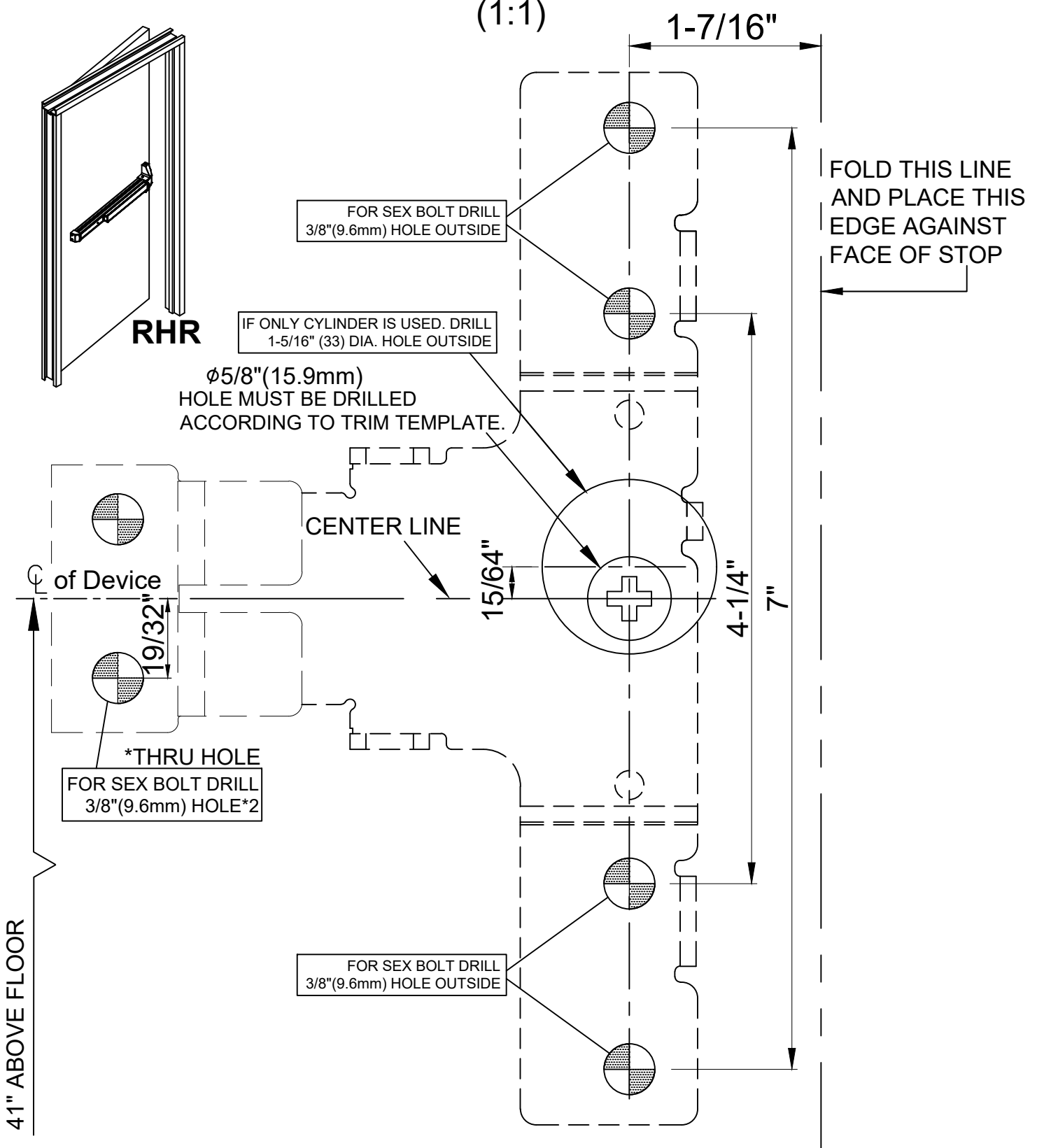


TEMPLATE FOR HEAVY DUTY NARROW STILE SURFACE VERTICAL ROD EXIT DEVICE



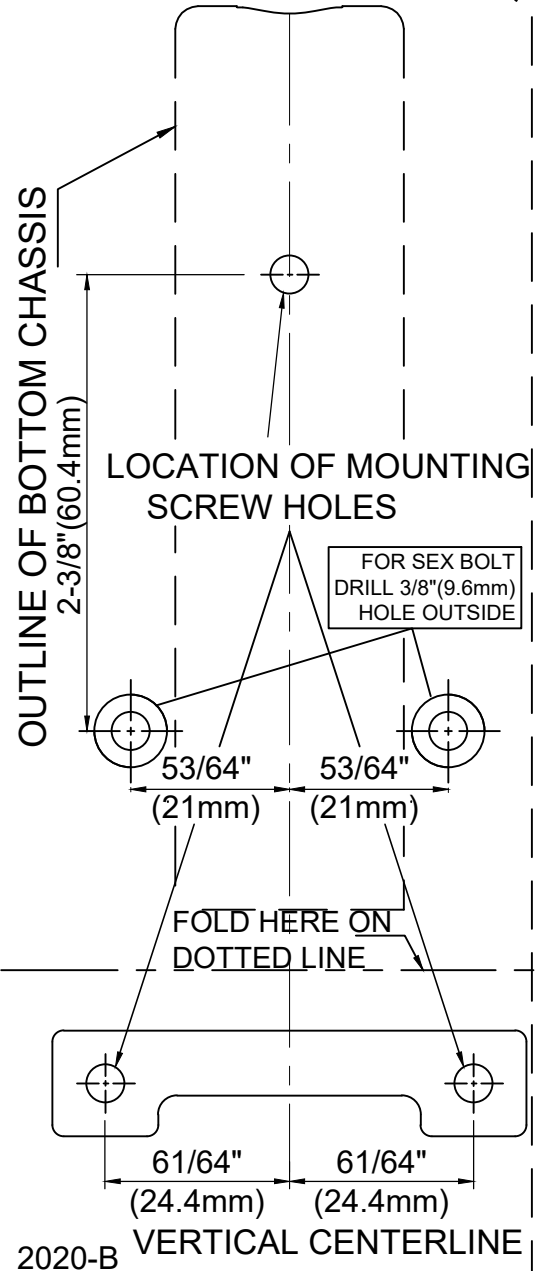
TEMPLATE FOR HEAVY DUTY NARROW STILE SURFACE VERTICAL ROD EXIT DEVICE

(1:1)



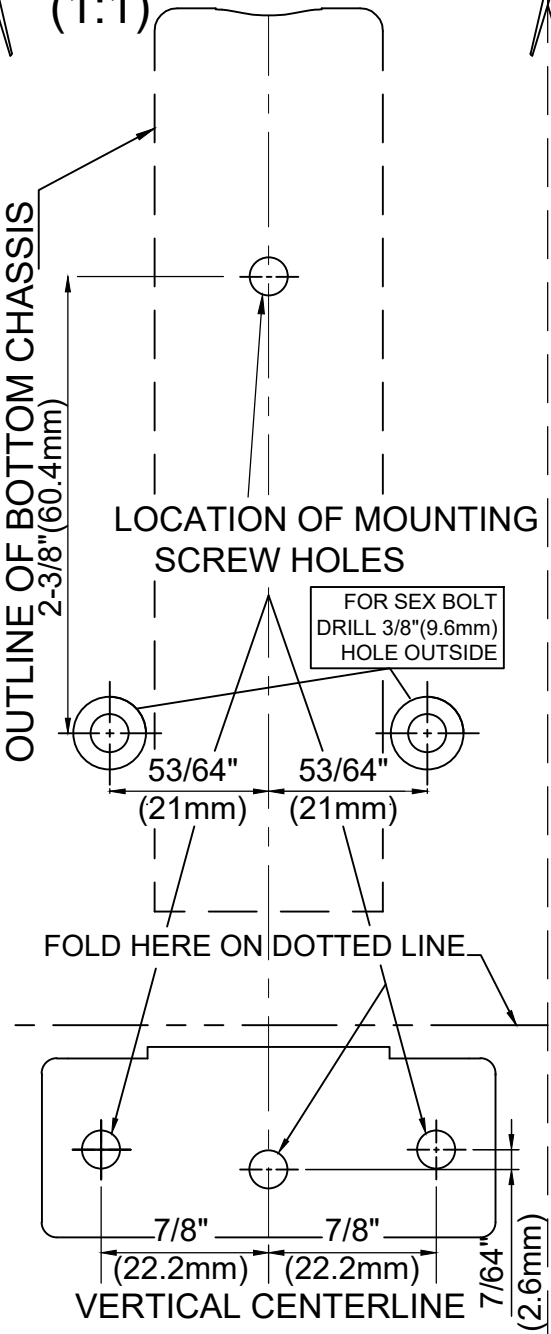
TEMPLATE of Bottom LATCH
 【Handicap Strike (Optional use)】

(1:1)



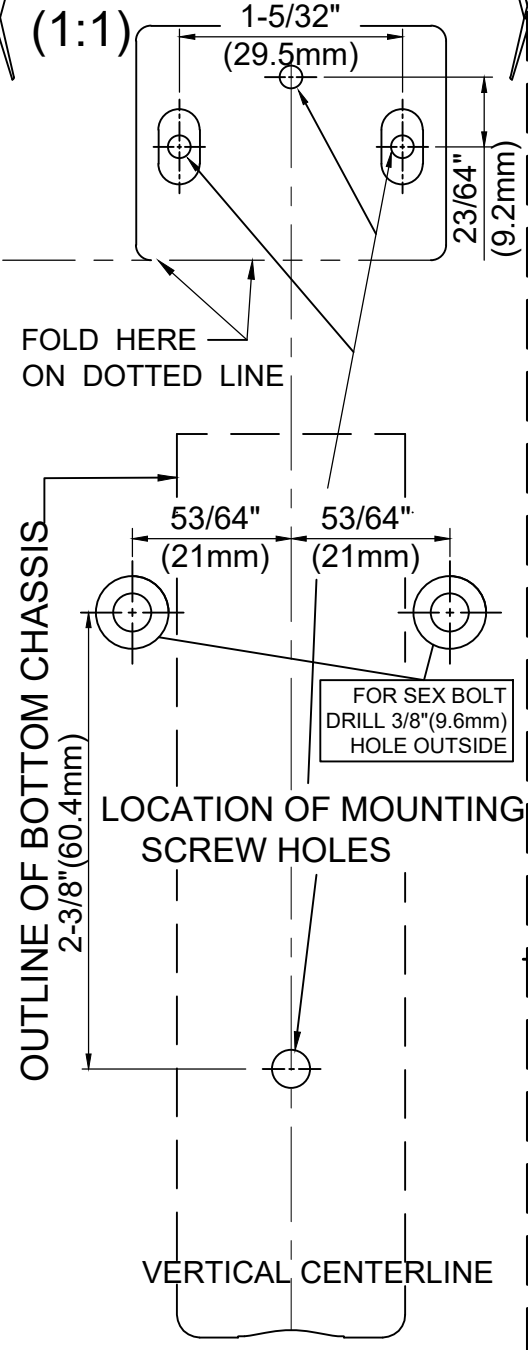
TEMPLATE of Bottom LATCH
 【Surface Strike (regular use)】

(1:1)



TEMPLATE of Top LATCH
 【Top Strike (regular use)】

(1:1)



TEMPLATE of Bottom LATCH
 【Mostise-in Strike (Optional use)】

(1:1)

