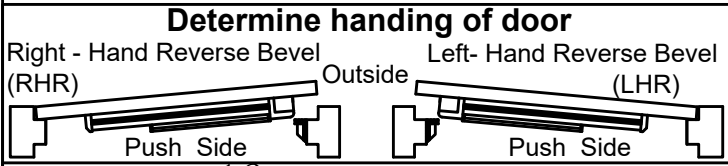
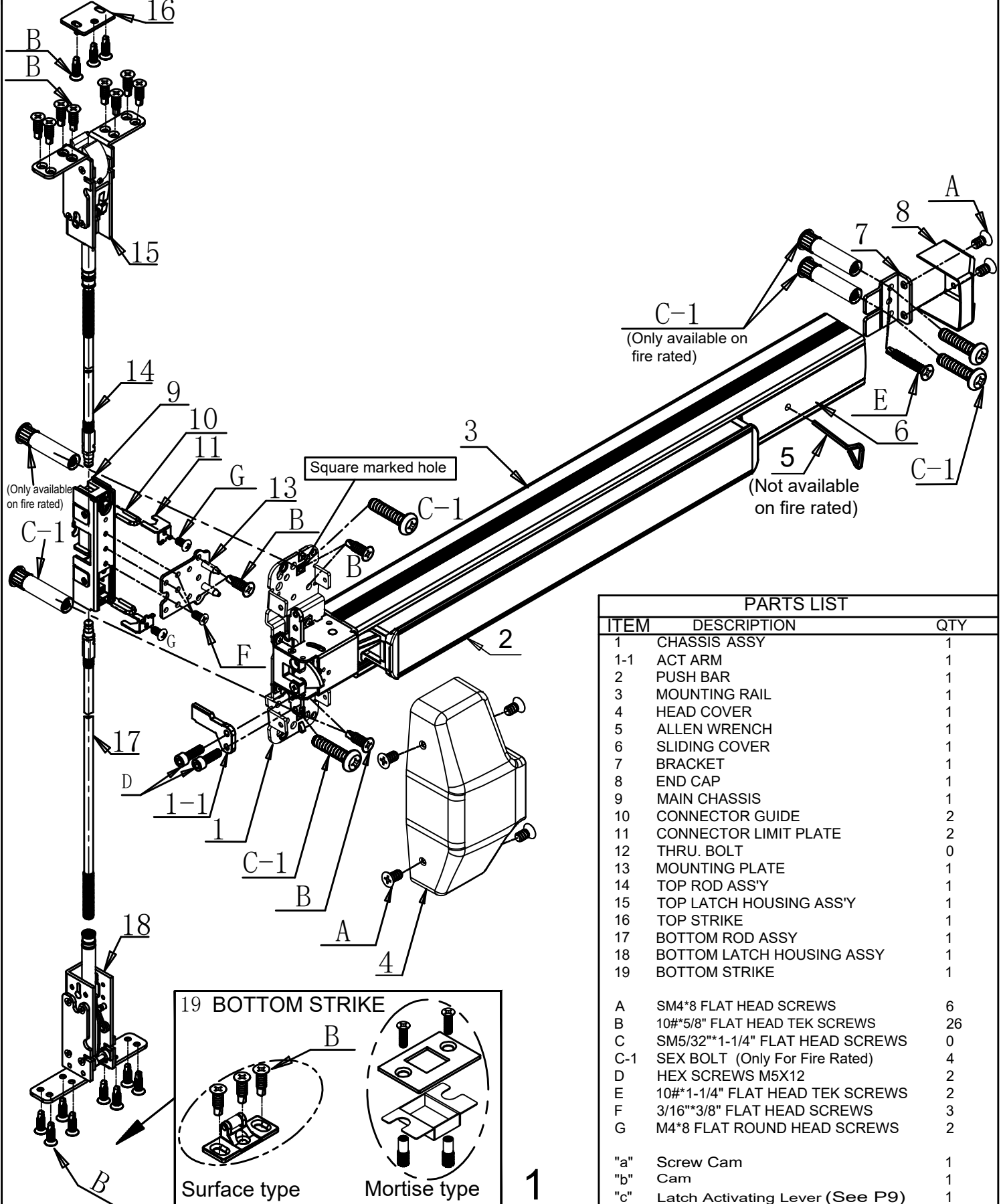


Installation Instructions

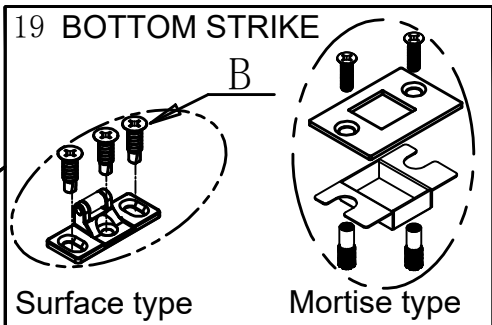
Concealed Vertical Rod Device



LHR shown

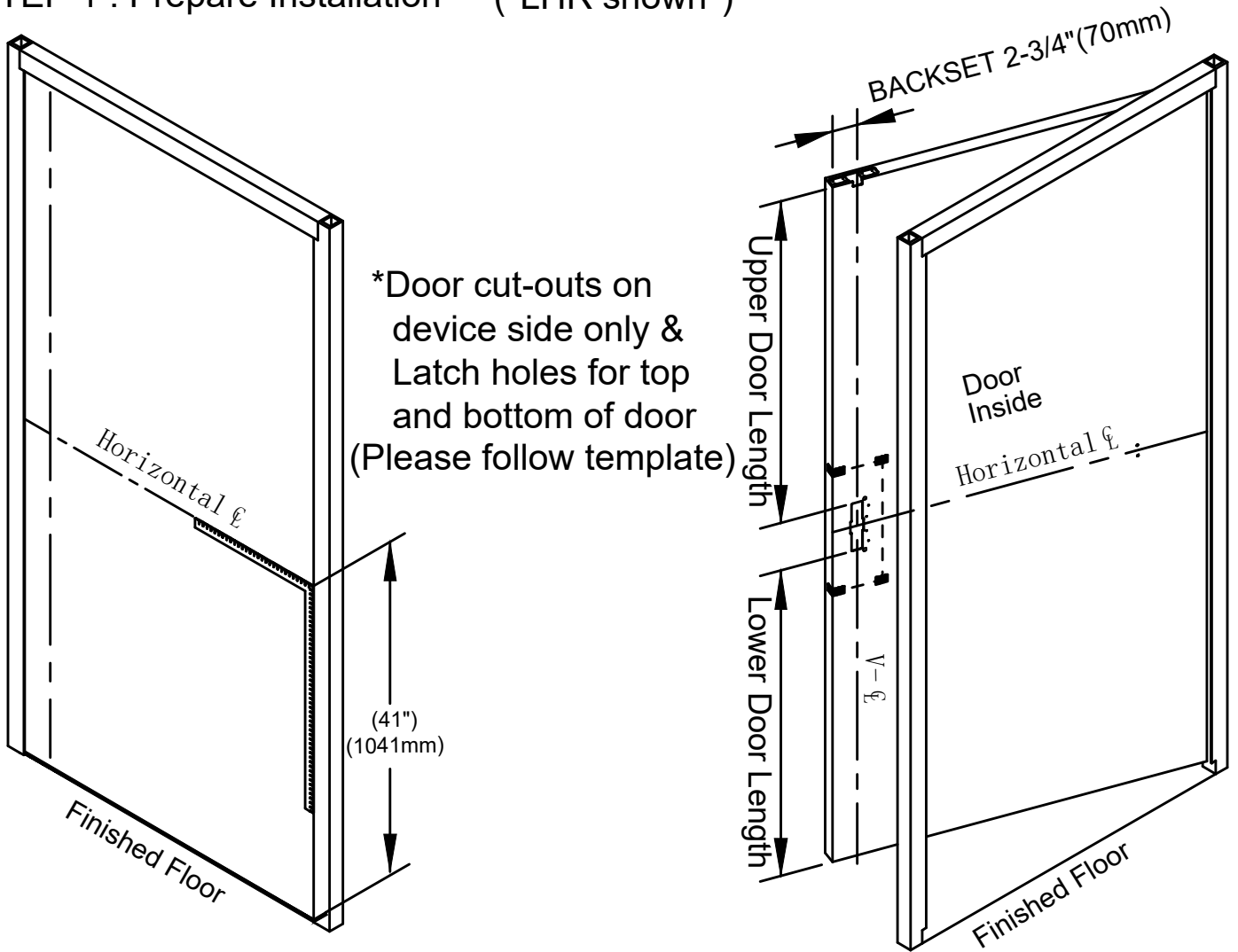


PARTS LIST		
ITEM	DESCRIPTION	QTY
1	CHASSIS ASSY	1
1-1	ACT ARM	1
2	PUSH BAR	1
3	MOUNTING RAIL	1
4	HEAD COVER	1
5	ALLEN WRENCH	1
6	SLIDING COVER	1
7	BRACKET	1
8	END CAP	1
9	MAIN CHASSIS	1
10	CONNECTOR GUIDE	2
11	CONNECTOR LIMIT PLATE	2
12	THRU. BOLT	0
13	MOUNTING PLATE	1
14	TOP ROD ASS'Y	1
15	TOP LATCH HOUSING ASS'Y	1
16	TOP STRIKE	1
17	BOTTOM ROD ASSY	1
18	BOTTOM LATCH HOUSING ASSY	1
19	BOTTOM STRIKE	1
A	SM4*8 FLAT HEAD SCREWS	6
B	10#*5/8" FLAT HEAD TEK SCREWS	26
C	SM5/32"*1-1/4" FLAT HEAD SCREWS	0
C-1	SEX BOLT (Only For Fire Rated)	4
D	HEX SCREWS M5X12	2
E	10#*1-1/4" FLAT HEAD TEK SCREWS	2
F	3/16"*3/8" FLAT HEAD SCREWS	3
G	M4*8 FLAT ROUND HEAD SCREWS	2
"a"	Screw Cam	1
"b"	Cam	1
"c"	Latch Activating Lever (See P9)	1

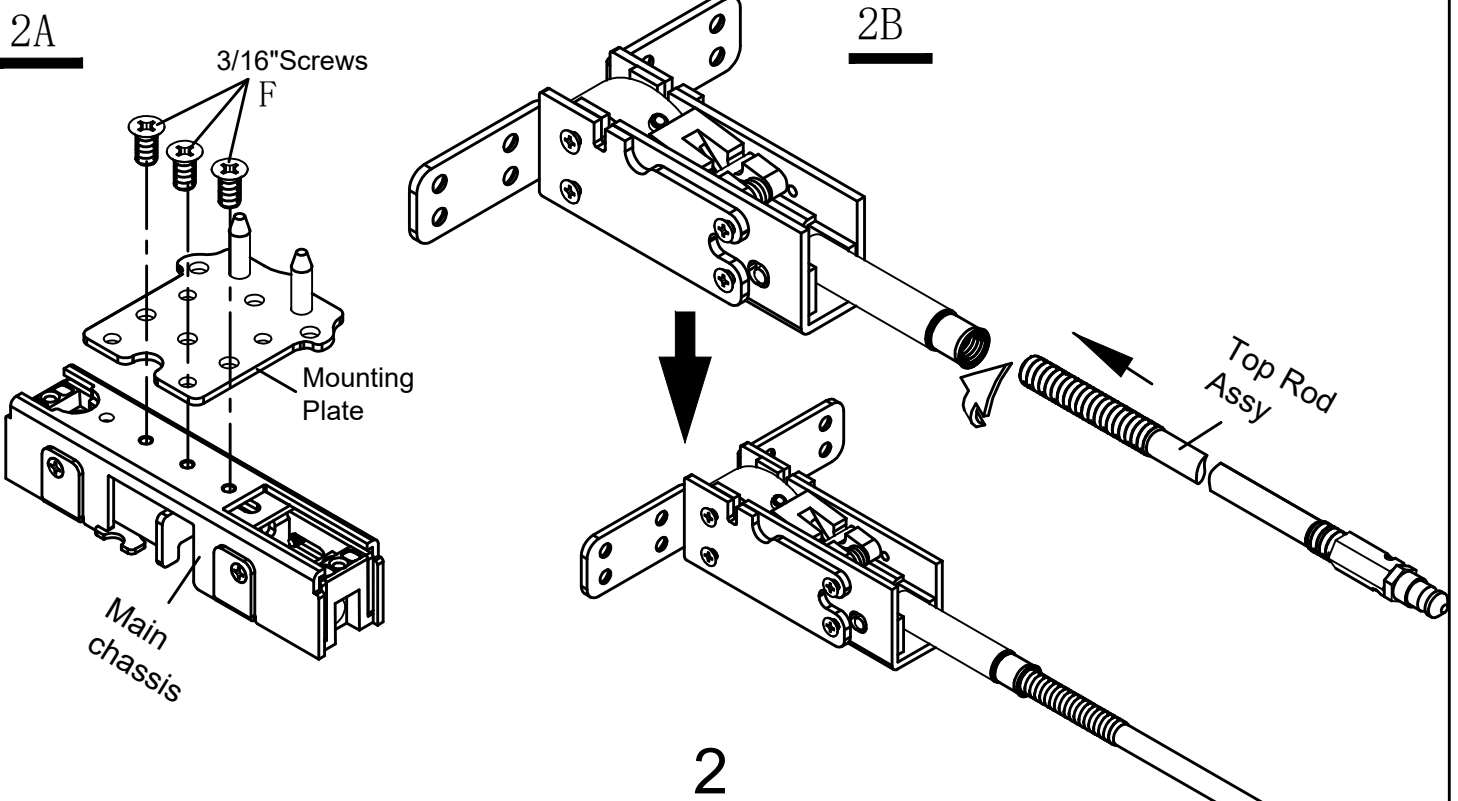


Concealed Vertical Rod Device

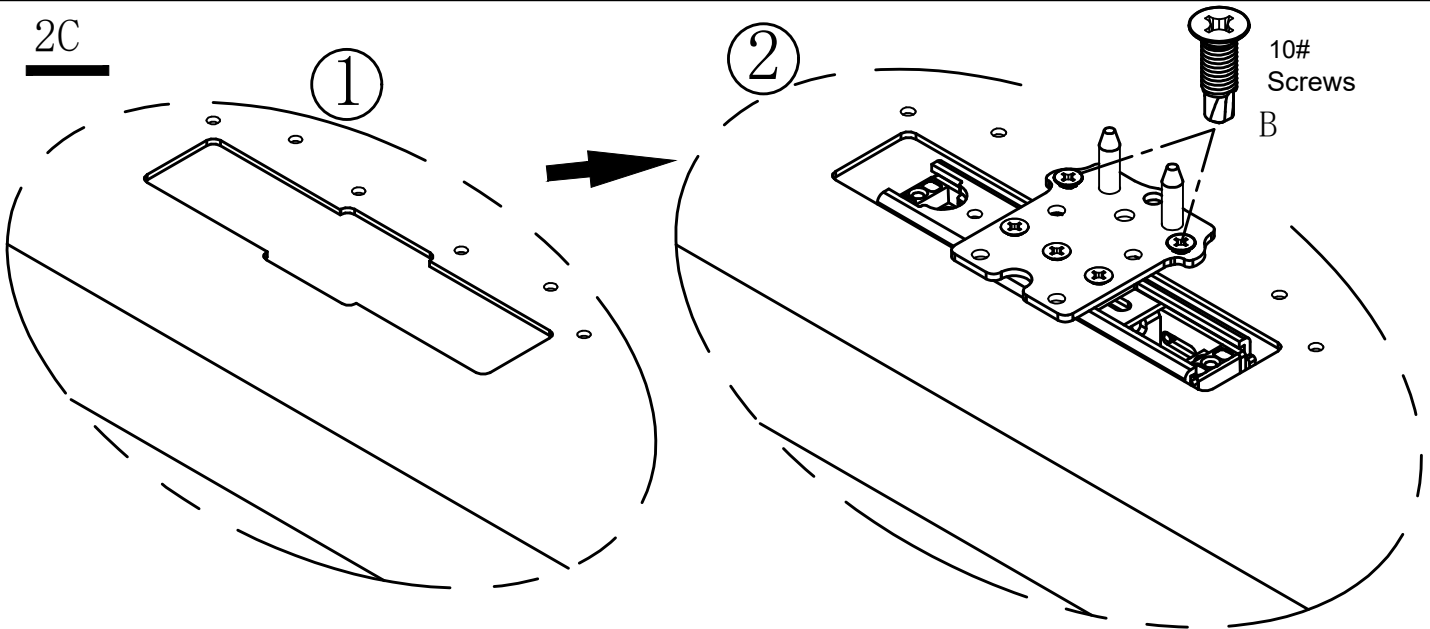
STEP 1 : Prepare Installation (*LHR shown*)



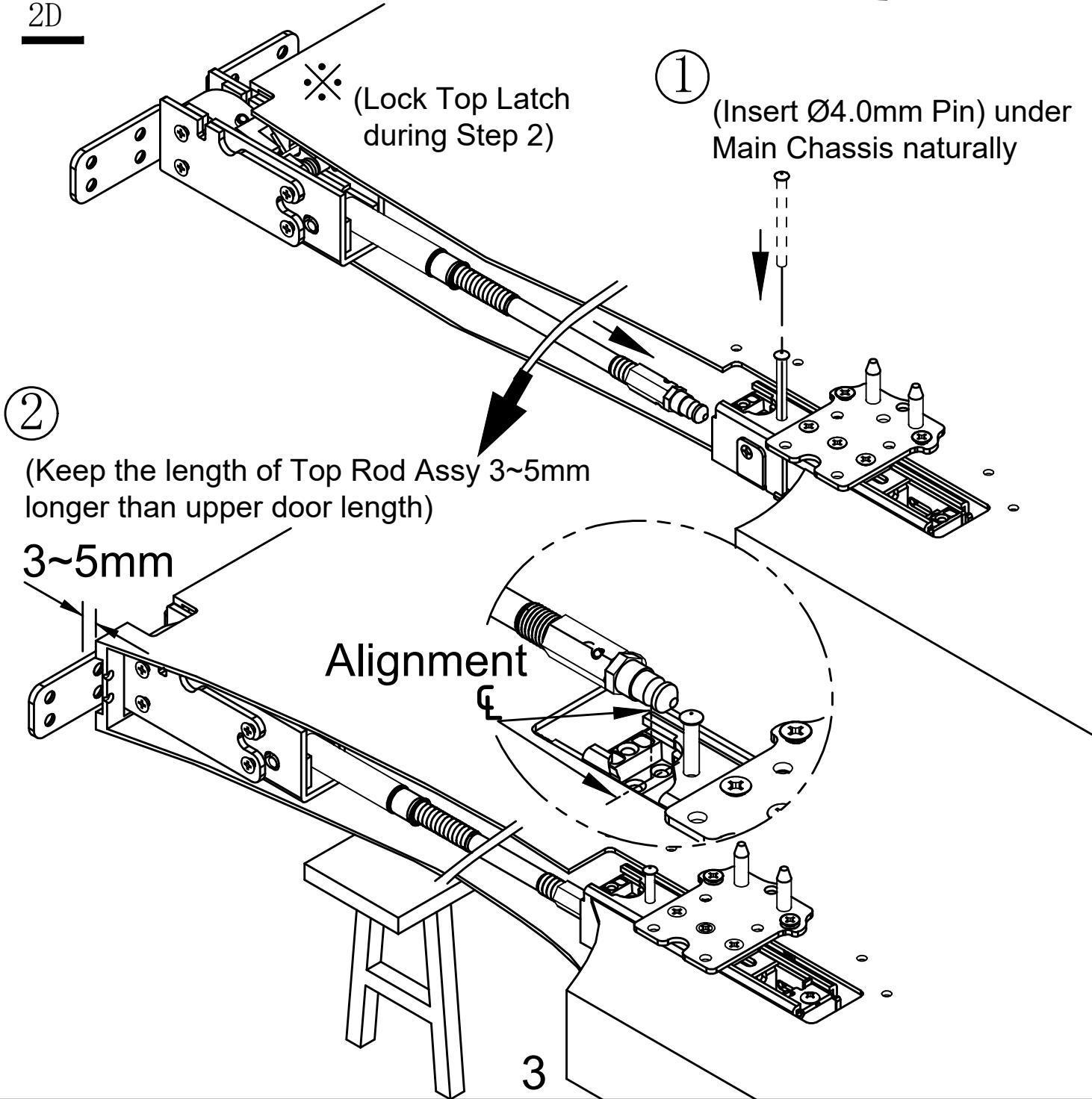
STEP 2 : Install Main Chassis & Top Latch



2C

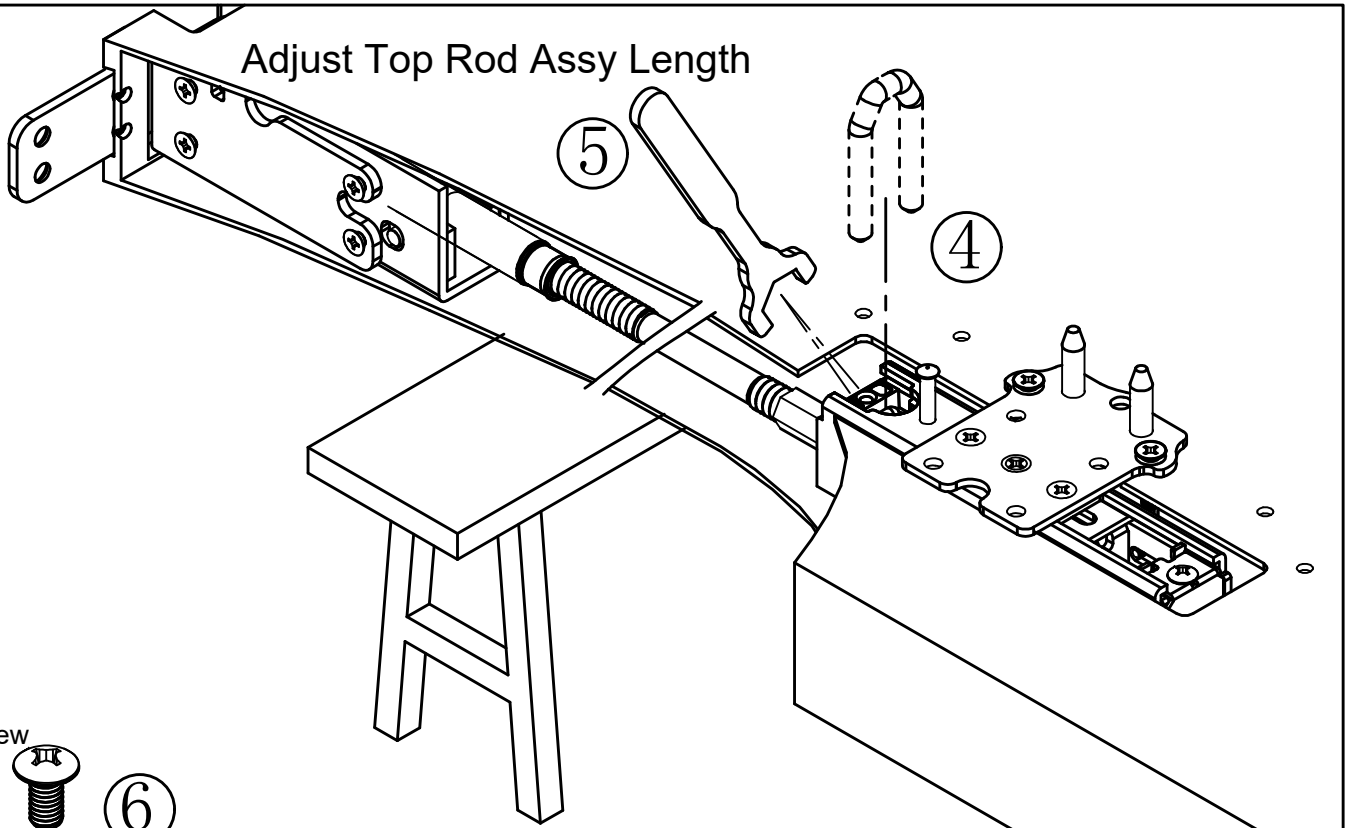


2D



2D

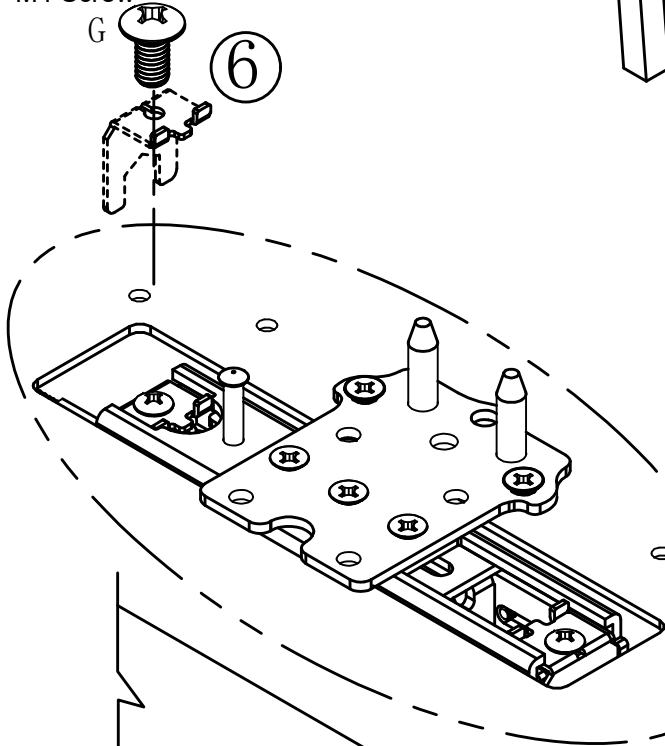
Adjust Top Rod Assy Length



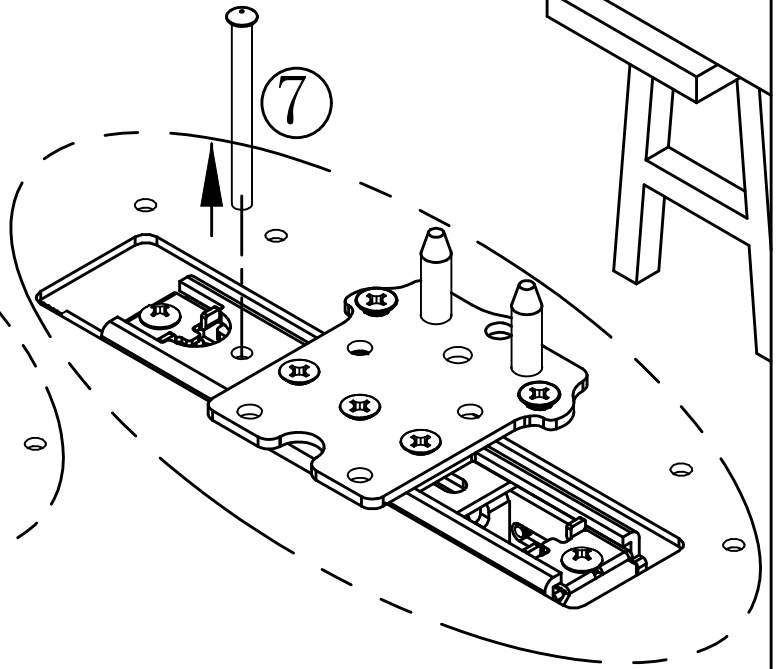
M4 Screw

G

6



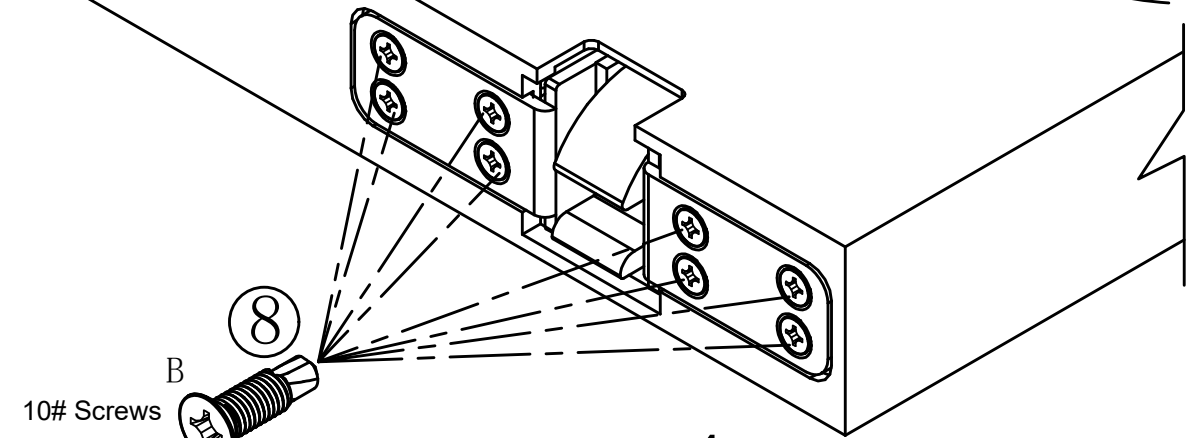
7



8

10# Screws

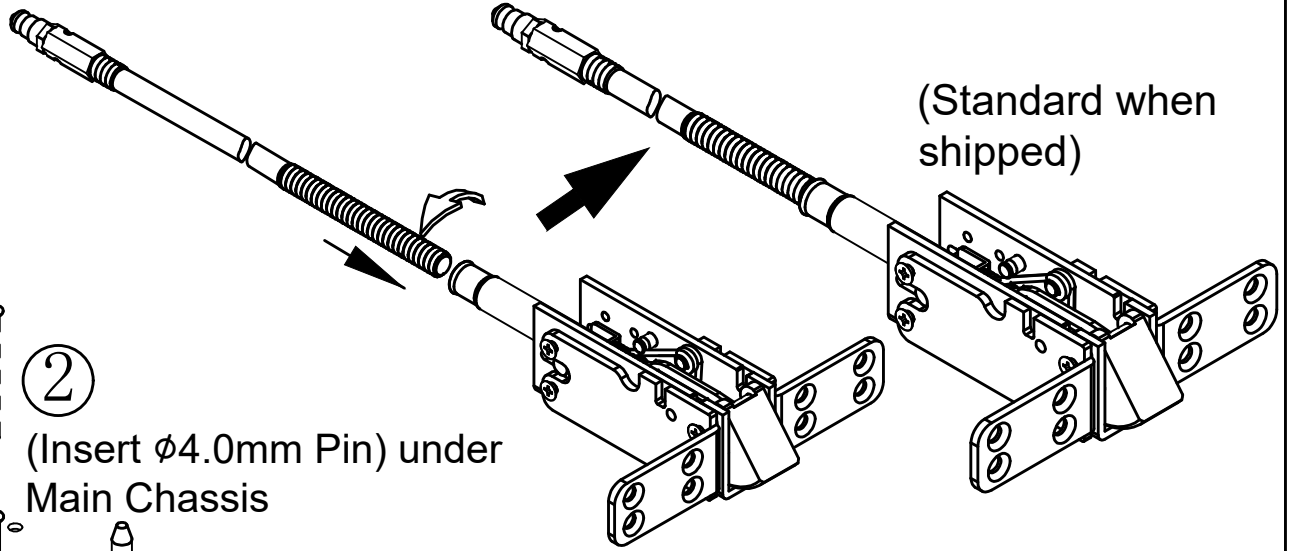
B



4

STEP 3 : Install Bottom Latch(Skip this step if Less Bottom Rod)

3A



3B

②
(Insert $\phi 4.0\text{mm}$ Pin) under
Main Chassis

①
PUSH

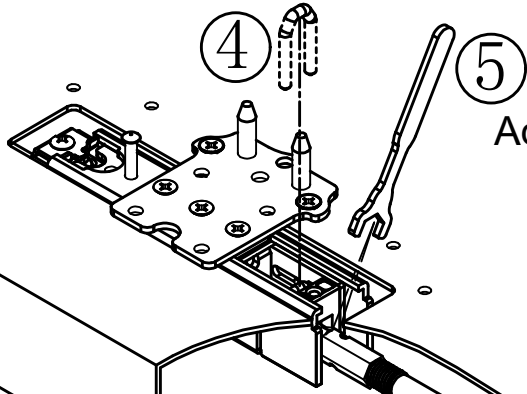
⊗ (Unlock Bottom Latch for step 3B)

③
(Keep the length of Bottom Rod
Assy 3~5mm longer than Lower
door length)

3~5mm

5

3B



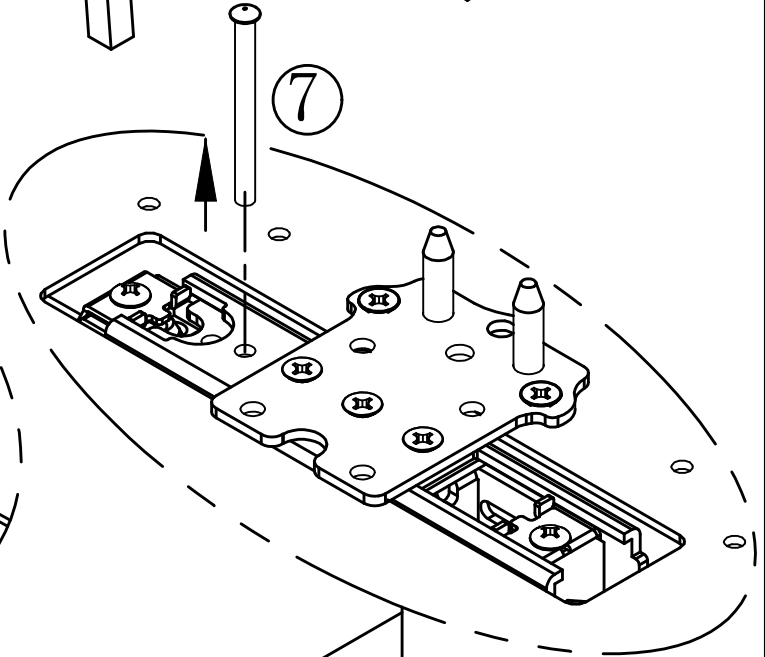
Adjust Bottom Rod Assy Length

M4 Screw
G

6

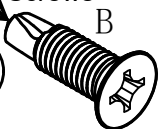


7



10#
Screws
B

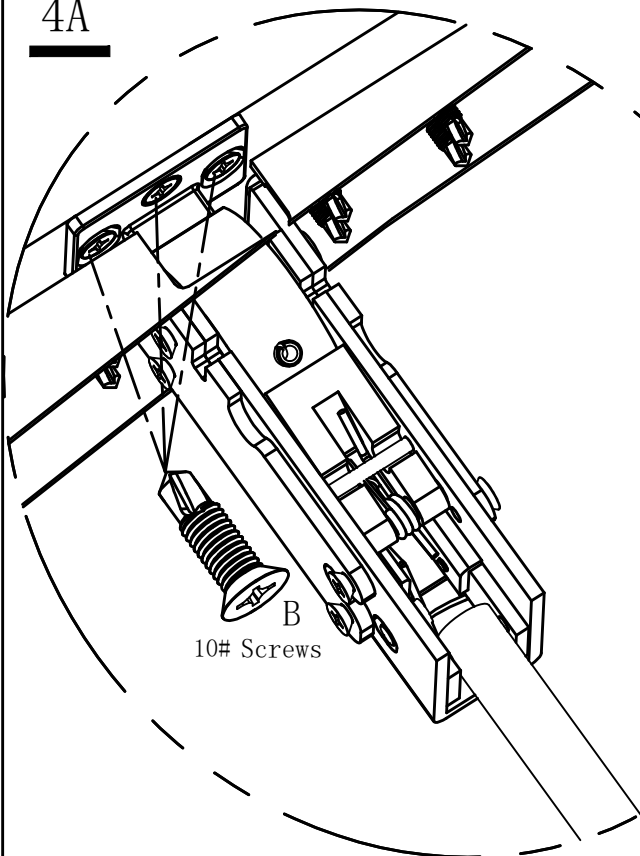
8



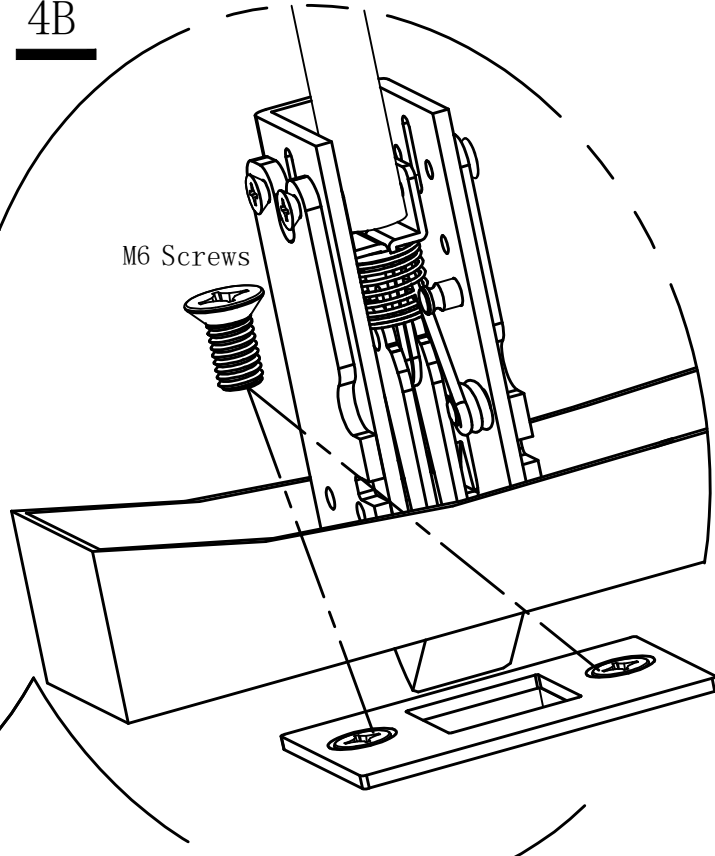
6

STEP 4 : Install Top & Bottom Strike (Please Follow TEMPLATE)

4A



4B



4C : Check if Top & Bottom Latch working properly.

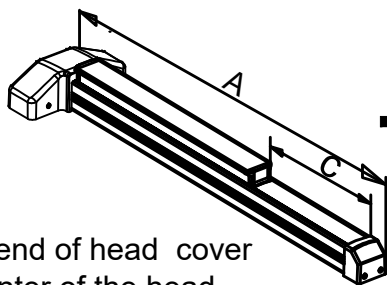
If not, go back to Step 2D or 3B to adjust Rod length.

✂ (Use Strike shim to adjust the gap between Strike and Latch if required)

STEP 5 : Cut Device if Required

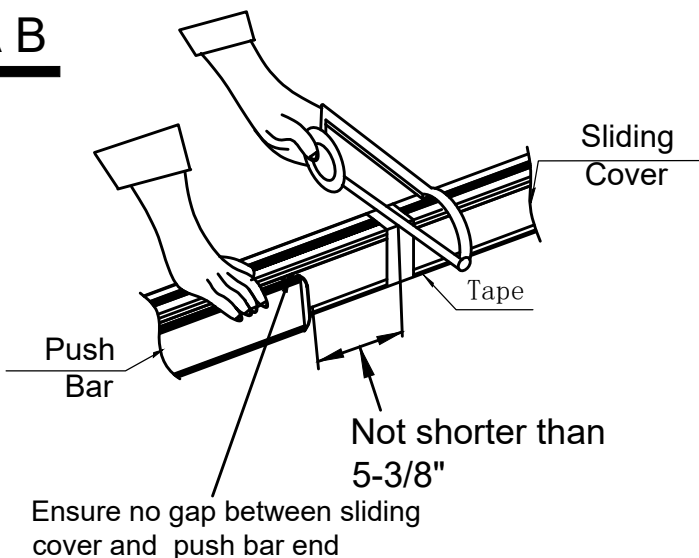
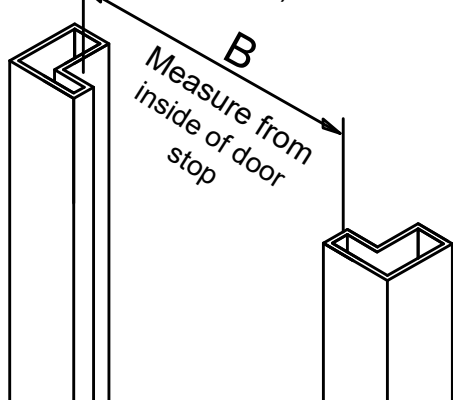
5A Device length A must be at least 1- 3/4" (45mm) shorter than B

5B If required cut C length of device so A is at least 1- 3/4" (45mm) shorter than B.



5-A B

Measure from end of head cover (not from center of the head chassis)

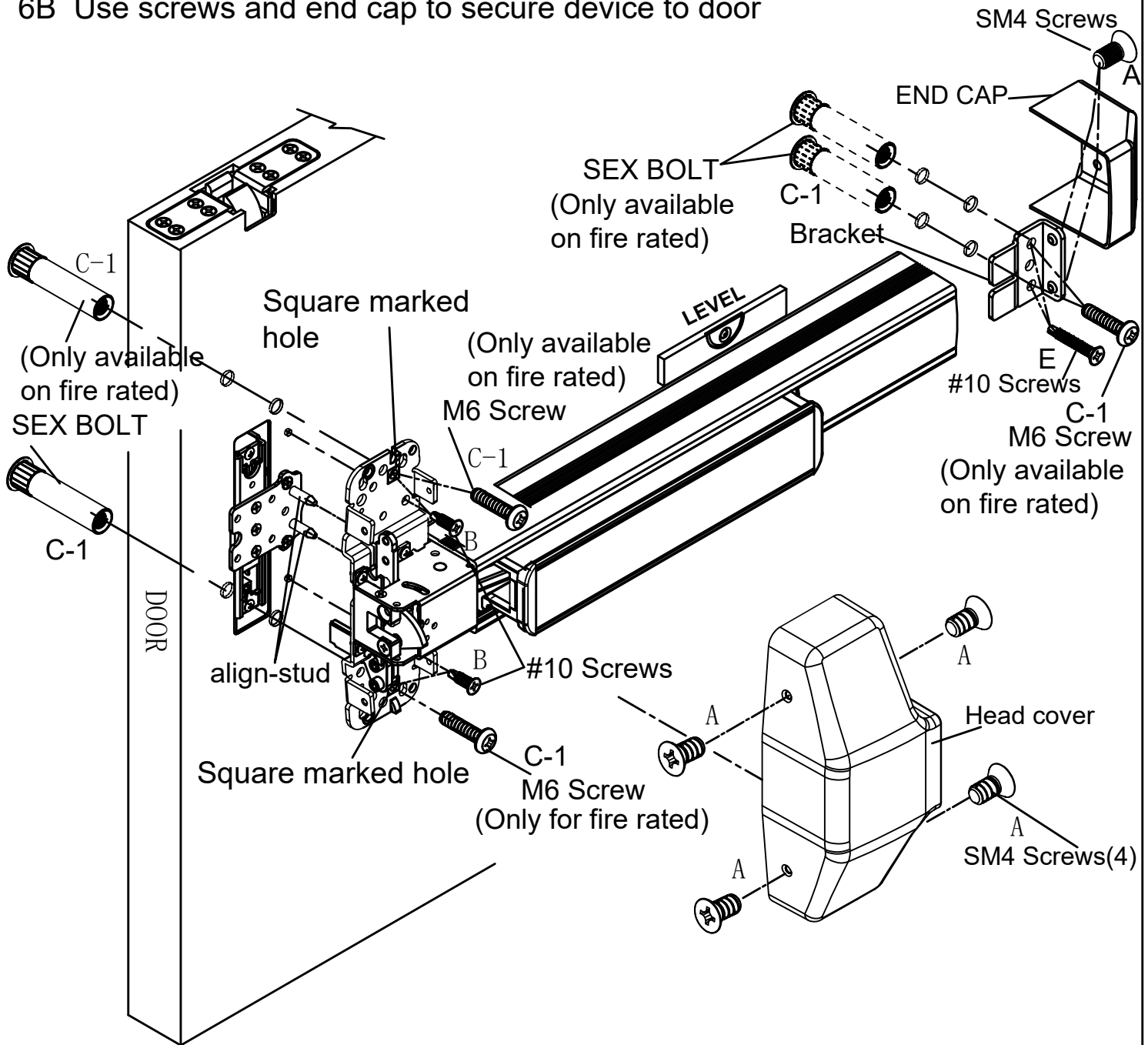


Ensure no gap between sliding cover and push bar end

STEP 6 : Exit Device installation (If trim is needed, see the trim instruction)

6A Align Exit Device with align-stud and ensure it is level

6B Use screws and end cap to secure device to door



STEP 7 : Test Push Bar & The Dogging Function

7A The latches should engage the strikes when the door is closed. If the door can be pushed open without depressing the push bar, please check the rod length and installation(see step 2)

7B The latches should disengage from the strikes freely when the push bar is depressed or dogging down. If not, please check the rod length/installation again (see step 2)

7C When applying outside trims:

(a).No trims : Exit only, latch bolts are retracted just by the push bar inside.

(b).Entry : latch bolts are retracted by trim outside after the trim is unlocked.

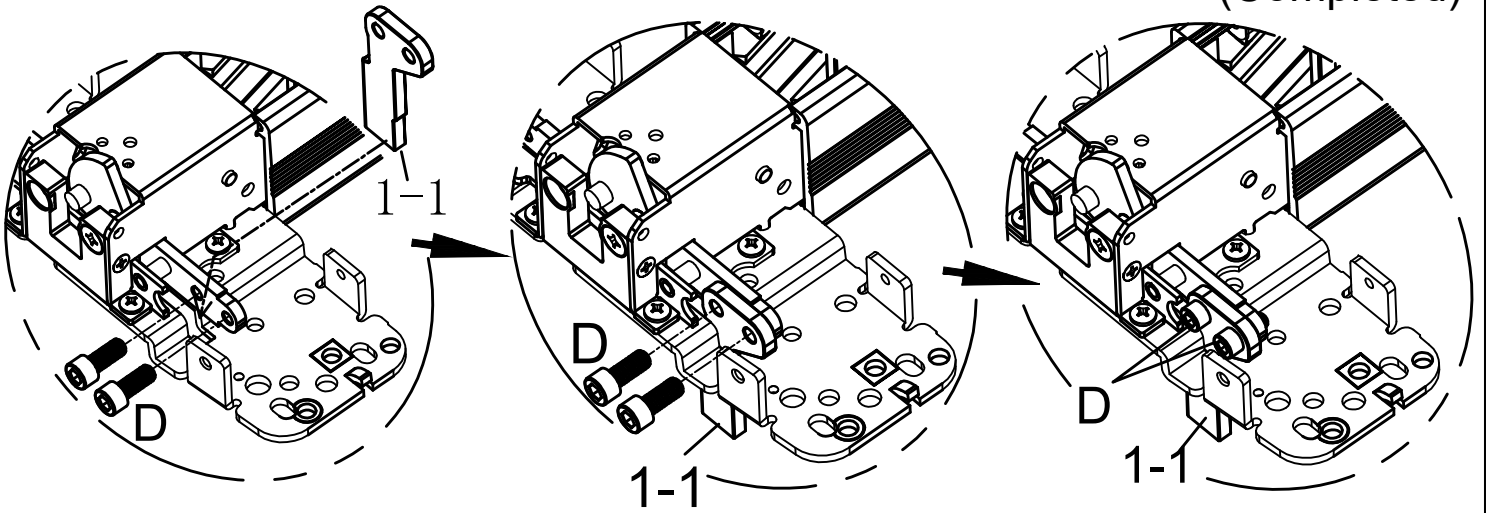
(c).Storeroom : latch bolts are retracted by trim outside with key only.

(d).Passage : latch bolts are retracted by trim always open.

7D Dogging : Use allen wrench and turn clockwise 90° when depressing push bar. Latch bolts will remain retracted.

STEP 8 : INSTALL ACT ARM (LHR shown)

(Completed)



STEP 9 : CHANGE HANDING OF DEVICE (from LHR to RHR)

LHR shown

