

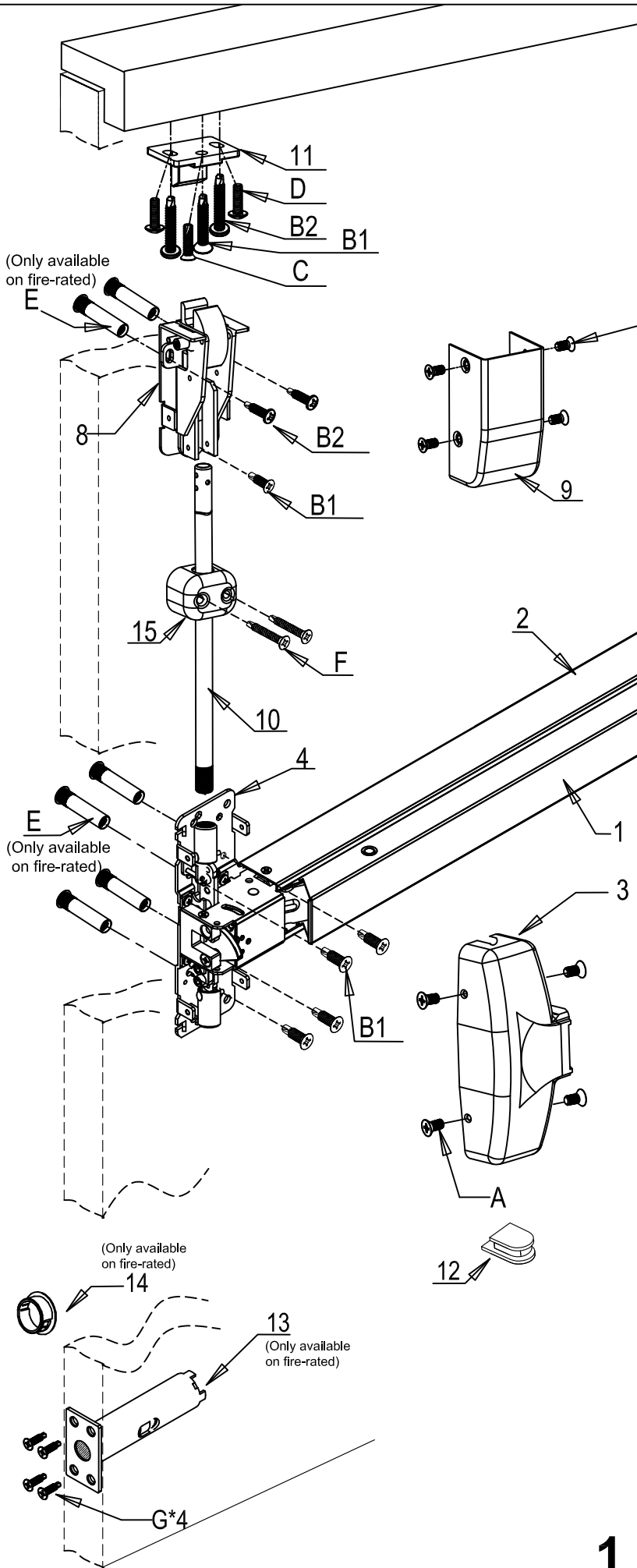
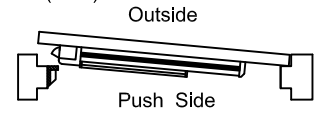
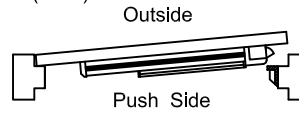
# Installation Instructions

## Less Bottom Rod Device

### Determine handing of door

Right - Hand Reverse Bevel (RHR)

Left - Hand Reverse Bevel (LHR)

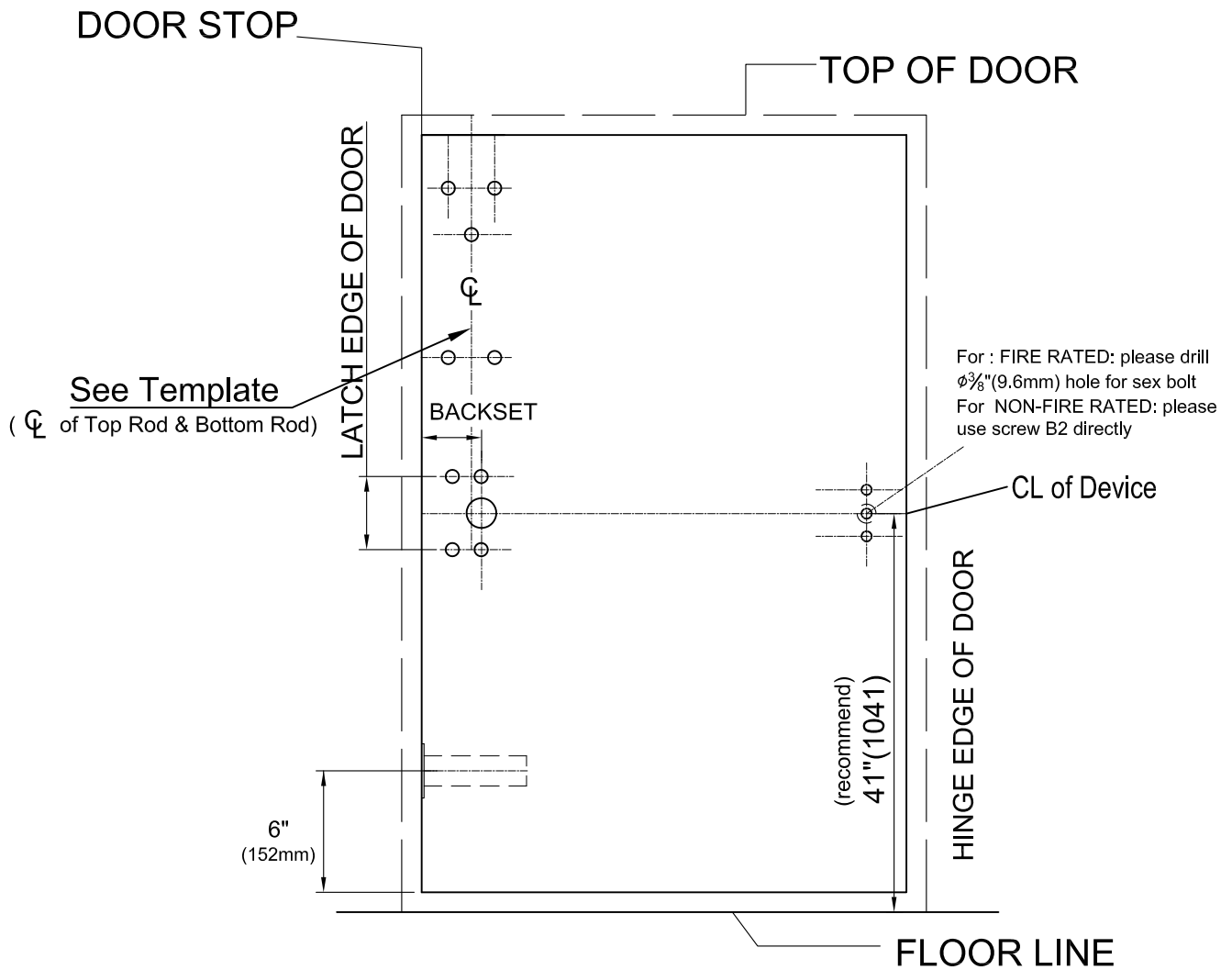


PARTS LIST				
ITEM	DESCRIPTION	Q'TY		MATERIAL
		Non-Fire	Fire	
1	PUSH BAR	1		STEEL/S304
2	MOUNTING RAIL	1		STEEL/S304
3	HEAD COVER	1		AL/ZINC/STEEL/S304
4	CHASSIS ASSY	1		STEEL
5	SLIDING COVER	1		STEEL/S304
6	BRACKET	1		STEEL
7	END CAP	1		STEEL/S304
8	TOP LATCH	1		STEEL
9	LATCH COVER	2		STEEL/S304
10	TOP ROD	1		AL/S304
11	TOP STRIKE	1		S304
12	HEAD COVER PLUG	1		ABS
13	FIRE LATCH	N/A	1	S304
14	FIRE LATCH HOLE PLUG	N/A	1	ABS
15	ROD GUIDE	1		STEEL/S304
16	DOGGING HEX KEY	1	N/A	STEEL
A	SM4X8 FLAT HEAD SCREWS	10		S304
B1	10# 1/4" TEK SCREWS (FLAT HEAD)	5	1	STEEL
B2	10# 1/4" TEK SCREWS (ROUND HEAD)	5	2	STEEL
C	10# 3/4" SCREWS (FLAT HEAD)	1+(1)		STEEL
D	10# 5/8" SCREWS (ROUND HEAD)	2+(2)		STEEL
E	SEX BOLT	N/A	7	STEEL
F	10# 2" TEK SCREWS(FLAT HEAD)	2		STEEL
G	8# 5/8" SCREWS (FLAT HEAD)	N/A	4	STEEL

# STEP 1: MARK CENTER LINES

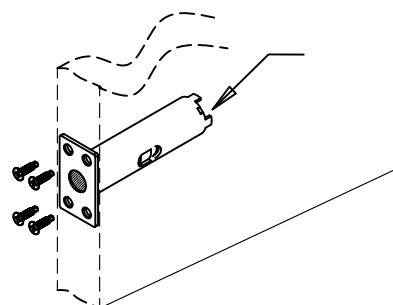
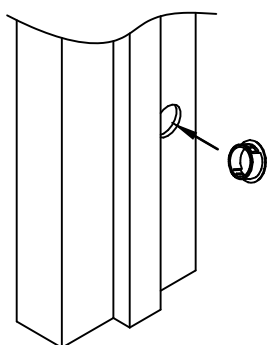
Mark Center Lines on INSIDE of door .Establish the horizontal center line of the device by drawing a line across the door 41" (1041mm) above floor line . Establish the top and bottom rod backset center line by drawing a vertical line from the top to bottom of the door measuring from the DOOR STOP. After marking & drilling, please install push bar according to its marked location. With establishment of push bar, proceed to next step of installation.

INSIDE OF LHR DOOR IS ILLUSTRATED



# STEP 2: INSTALL FIRE LATCH (IF IT'S NON FIRE-RATED, GO TO NEXT STEP)

(Refer to Fire Latch installation guide for details.)

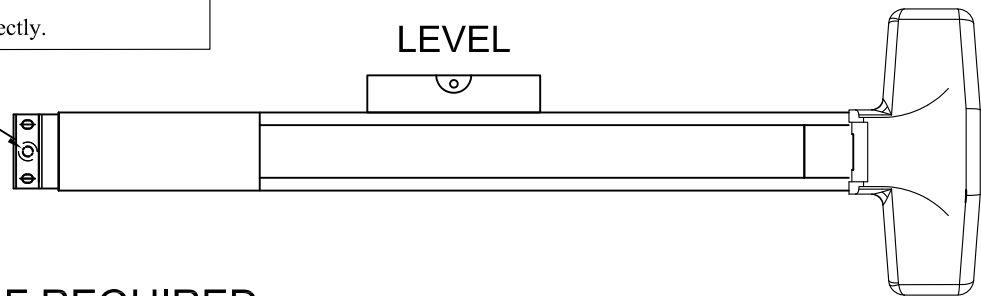


## STEP 3: INSTALL DEVICE & CUT DEVICE IF REQUIRED

### 3A. INSTALL DEVICE

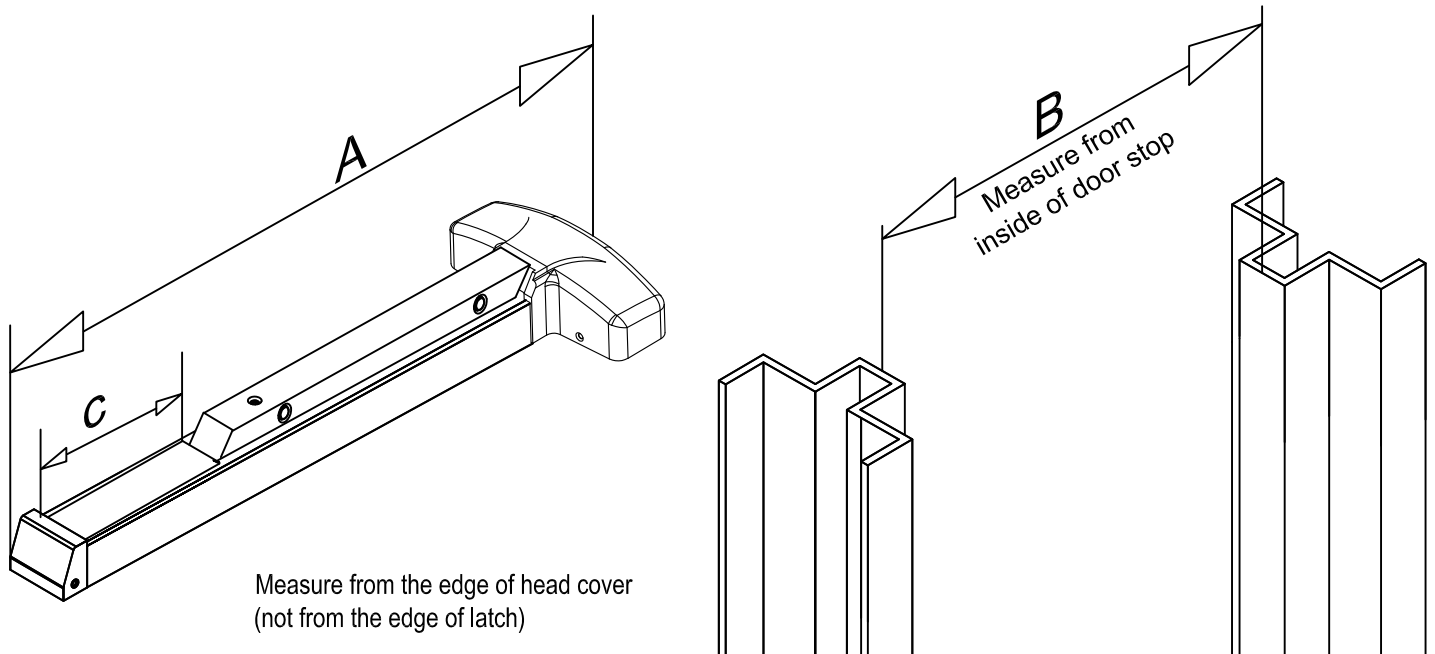
- (1) Take off head cover and put device horizontally at the door. Fix screws (B1) on chassis but DO NOT tighten them at this step.
- (2) Install bracket with screw (B2). Be sure to remain device being horizontal and then tighten all screws.
- (3) Install end cap & Install head cover after STEP 7.

- ※ for "FIRE RATED":  
please drill  $\phi \frac{3}{8}$ " (9.6mm) hole for sex bolt (E).
- ※ for "NON-"FIRE-RATED":  
please use screw (B2) directly.

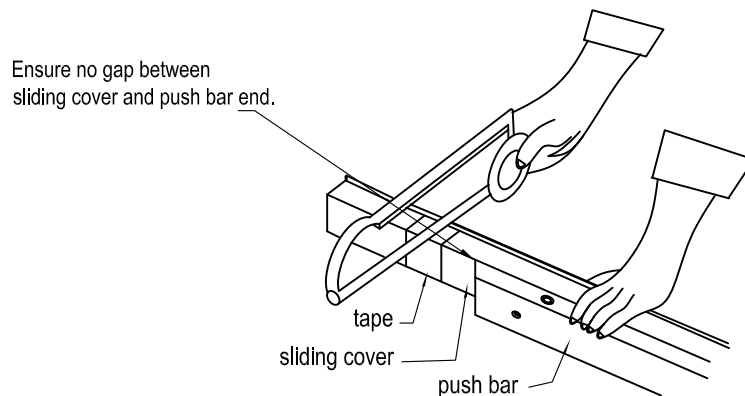


### 3B. CUT DEVICE IF REQUIRED

- (1) Device length A must be at least  $1\frac{1}{2}$ " (38mm) shorter than B.



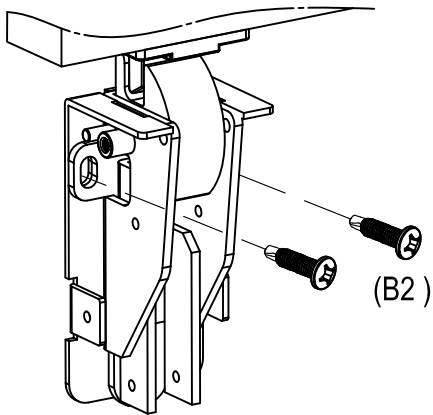
- (2) If required, cut length C, so A is at least  $1\frac{1}{2}$ "(38mm) shorter than B.



NOTE : the minimum length of the sliding cover must be 1"(25.4mm) or longer than length "C".

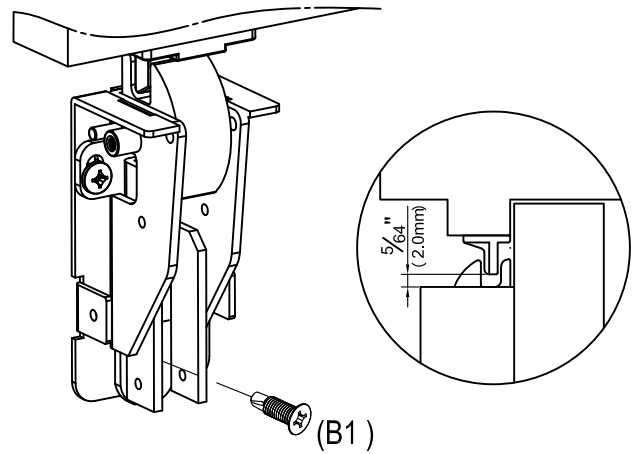
## STEP 4: PREPARE TOP LATCH & INSTALL TOP LATCH

Prepare Top Latch and Mark it with TEMPLATE for later installation .  
Follow TEMPLATE to install top latch with two screws (B2).  
(DO NOT TIGHTEN screws (B2) firmly until step 4)



## STEP 5: INSTALL TOP STRIKE

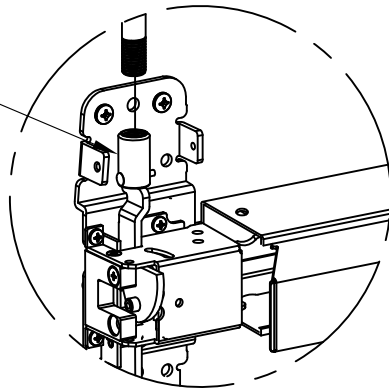
Follow TEMPLATE to install top strike. Adjust the Proper gap between top latch and strike which is about  $\frac{5}{64}$ "(2.0mm), tighten screws (B2) firmly and then screw (B1).



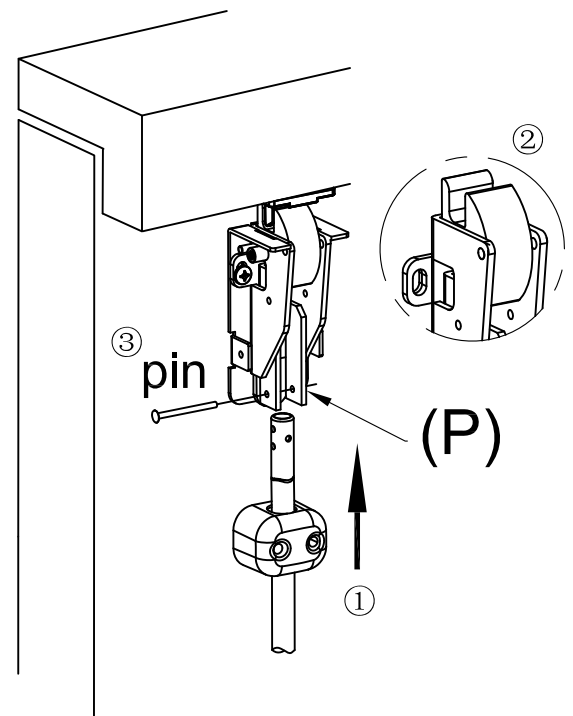
## STEP 6: INSTALL & ADJUST TOP ROD

The rod length can be adjusted by the thread of the rod, adjust the correct length when door is in the closed position, by aiming the rod to the hole of the part (P).

rod connector

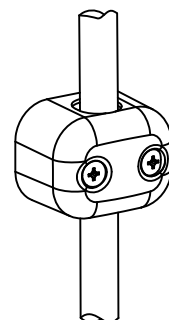
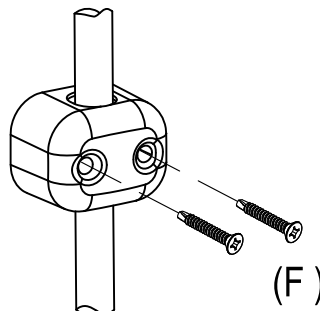
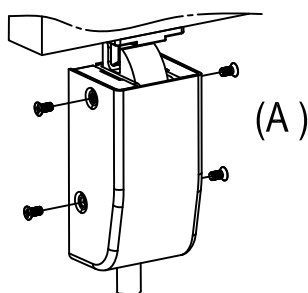


※ If top rod had been cut to fit door height, please drill hole for pin loading.



## STEP 7: INSTALL LATCH COVERS & ROD GUIDE

- (1) Install latch covers and fix/tighten them with screws (A).
- (2) Put rod guide midway between head cover and latch. Then, fix & tighten rod guide with screws (F).



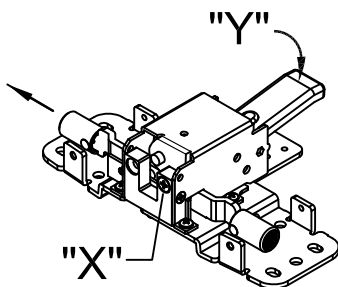
## STEP 8: TEST PUSH BAR & THE DOGGING FUNCTION

1. The latches should engage the strikes when the door is closed. If the door can be pushed open without depressing the push bar, please check the rod length and installation(see step 4)
2. The latches should disengage from the strikes freely when the push bar is depressed or dogged down. If not, please check the rod length and installation again (see step 4)
3. When applying outside trims:
  - (1). No trims : Exit only, latch bolts are retracted just by the push bar inside.
  - (2). Entrance : latch bolts are retracted by trim outside after the trim is unlocked.
  - (3). Storeroom : latch bolts are retracted by trim outside with key only.
  - (4). Passage : latch bolts are retracted by trim outside always open.
4. Dogging:Use dogging hex key and turn clockwisely 90° when depressing push bar. Latch bolts will remain retracted.

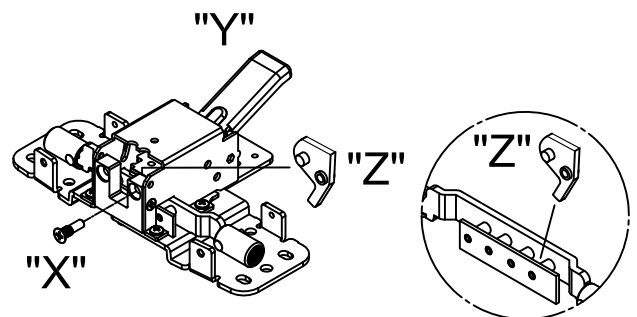
## STEP 9: CHANGE HANDING OF DEVICE

### TO CHANGE HANDING OF DEVICE ( FOR EXAMPLE: FROM LHR to RHR )

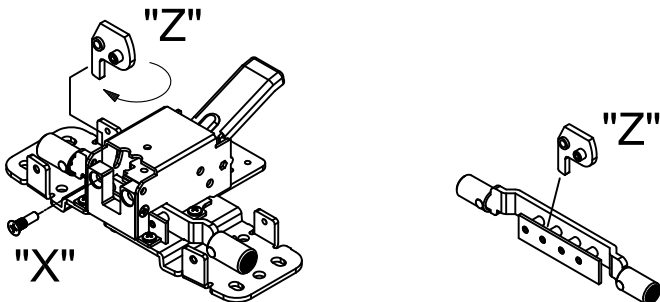
( LHR )



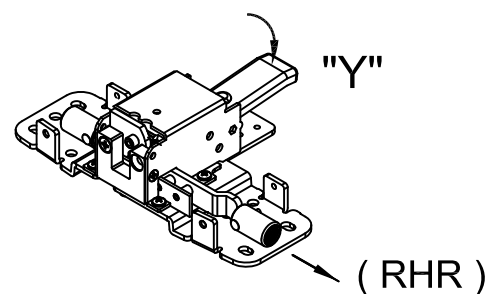
Press Lift Arm "Y" and ensure the direction before changing.  
The "X" screw is located shown for LHR.



Remove the "X" screw , pull out "Z".



Position "Z" as shown. Screw in "X" in hole position shown.



Press Lift Arm "Y" to ensure handing is correct.

# AUXILIARY FIRE LATCH INSTALLATION INSTRUCTIONS

## - For use with Less Bottom Rod (LBR) Exit Devices

### DEVICES COVERED IN THESE INSTRUCTIONS

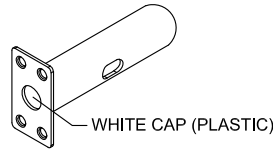
Auxiliary Fire Latch  
Strike Hole Plug

(For Fire Rated Only)

STRIKE HOLE PLUG  
(FOR STRIKE DOOR)



#8 X 3/4" MOUNTING SCREWS



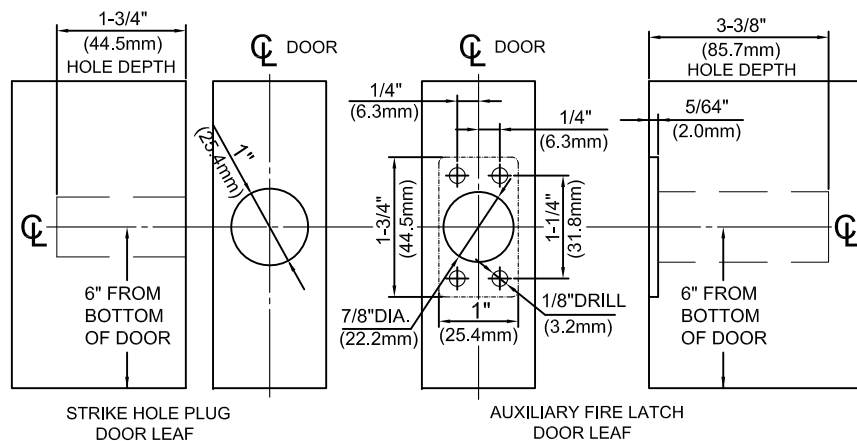
AUXILIARY FIRE LATCH

### STEP 1: PREPARE AUXILIARY FIRE LATCH DOOR LEAF

1. Mark horizontal centerline 6" [152mm] from the bottom of the door.
2. Mark vertical centerline at center of door thickness.
3. Drill a 7/8" [22mm] diameter by 3-3/8" [85.7mm] deep hole in the auxiliary fire latch door leaf.
4. Insert auxiliary fire latch in hole keeping it parallel to the door face. Mark outline of latch face plate and remove latch.
5. Chisel 5/64" [2mm] deep or until latch face plate is flush with door edge.
6. Pre-drill screw holes with a 1/8" drill.

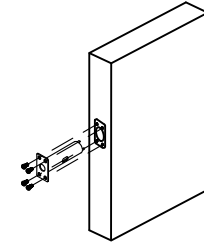
### STEP 2: PREPARE STRIKE HOLE PLUG DOOR LEAF

1. Transfer horizontal centerline from latch door leaf.
2. Mark vertical centerline at center of door thickness.
3. Drill a 1" [25.4mm] diameter by 1-3/4" [44.5mm] deep hole in the strike plug door leaf.



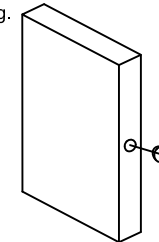
### STEP 3: INSTALL AUXILIARY FIRE LATCH

1. Insert latch and use the provided screws to secure latch.
2. Screws : #8 x 3/4" [19mm] flat head screws (for metal and wood applications)



### STEP 4: INSTALL STRIKE HOLE PLUG

1. Insert hole plug into 1" hole in the strike door leaf.
2. Self adjusting tabs on the hole plug will lock in place to secure the plug.

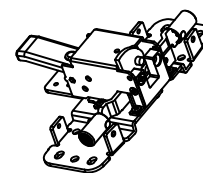


### STEP 5: REVIEW INSTALLATION

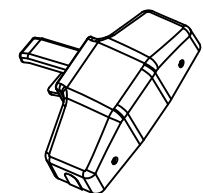
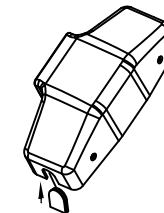
1. Close both doors and verify auxiliary fire latch and strike hole are lined up.
2. Be sure the door gap directly in front of the auxiliary fire latch is not covered with a door edge guard or any other similar type device.

### STEP 6: INSTALL HEAD COVER PLUG (LBR only), packed with Exit Device

1. Slide the head cover plug (packed with Exit Device) in the bottom slot on the exit device head cover. Since the LBR does not use a bottom rod, the hole plug will block off this hole from debris or tampering.



HEAD COVER PLUG  
(packed with Exit Device)



HEAD COVER PLUG  
INSTALLED