

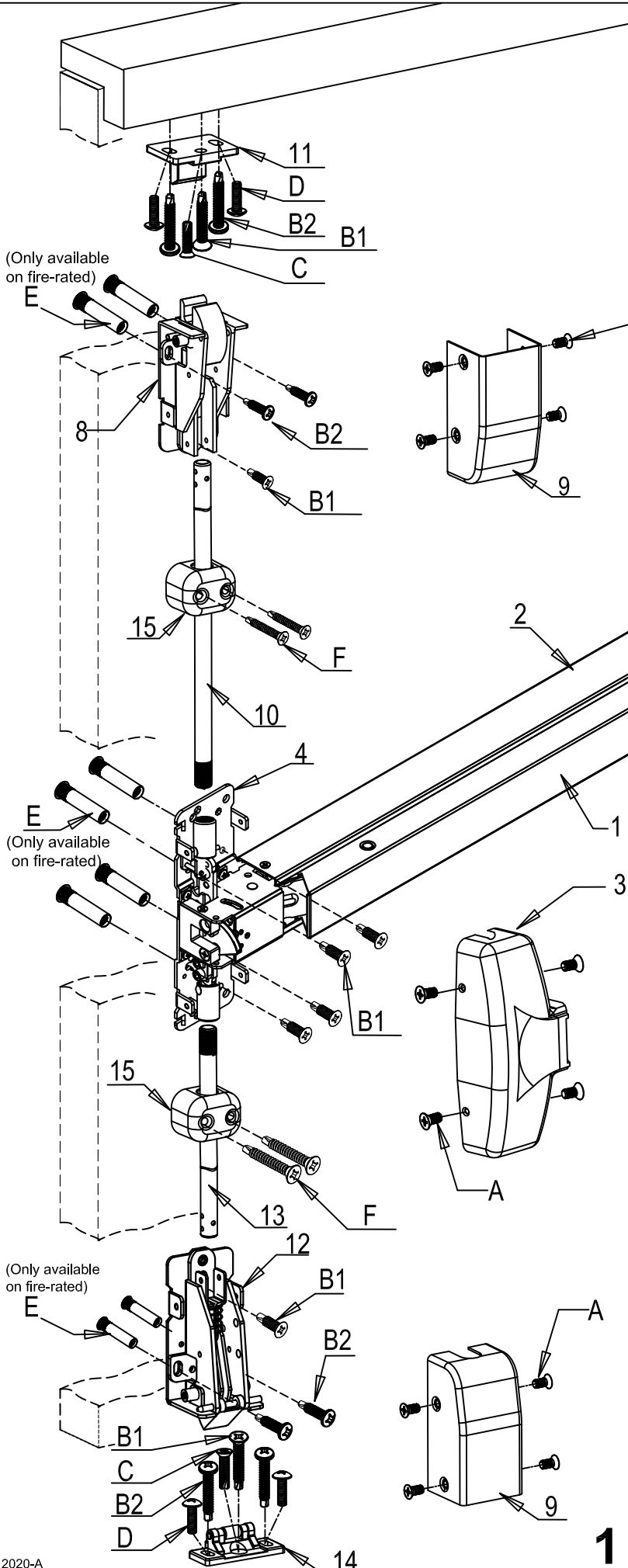
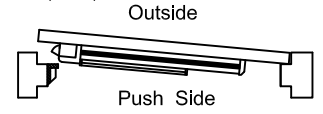
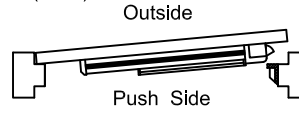
Installation Instructions

Surface Vertical Rod Device

Determine handing of door

Right - Hand Reverse Bevel (RHR)

Left - Hand Reverse Bevel (LHR)

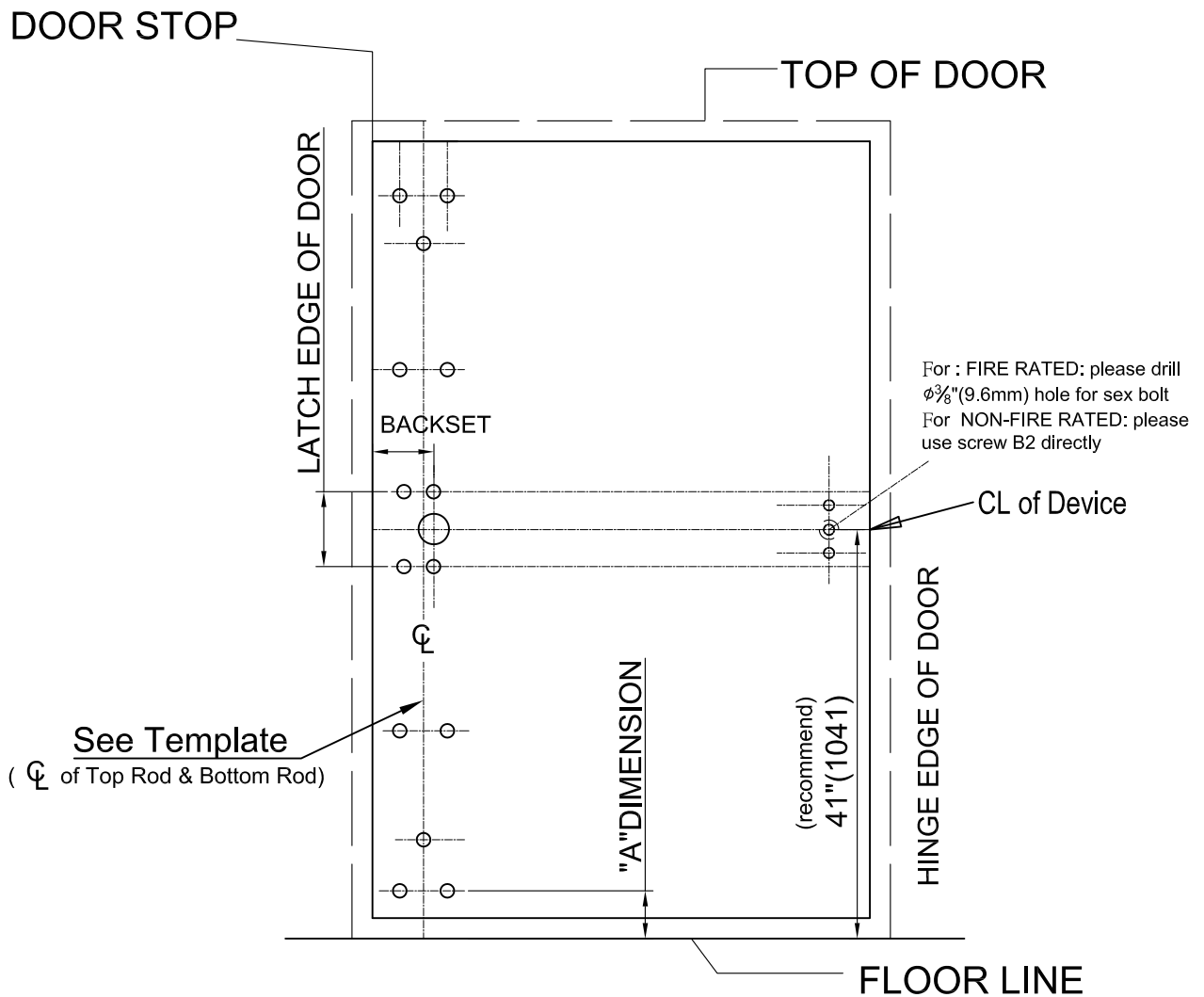


PARTS LIST			
ITEM	DESCRIPTION	Q'TY	
		Non-Fire	Fire
1	PUSH BAR	1	
2	MOUNTING RAIL	1	
3	HEAD COVER	1	
4	CHASSIS ASSY	1	
5	SLIDING COVER	1	
6	BRACKET	1	
7	END CAP	1	
8	TOP LATCH	1	
9	LATCH COVER	2	
10	TOP ROD	1	
11	TOP STRIKE	1	
12	BOTTOM LATCH	1	
13	BOTTOM ROD	1	
14	BOTTOM STRIKE	1	
15	ROD GUIDE	2	
16	DOGGING HEX KEY	1	N/A
A	SM4X8 FLAT HEAD SCREWS	14	
B1	10# 1 1/4" TEK SCREWS (FLAT HEAD)	8	4
B2	10# 1 1/4" TEK SCREWS (ROUND HEAD)	11	6
C	10# 3/4" SCREWS (FLAT HEAD)	2	
D	10# 5/8" SCREWS (ROUND HEAD)	4	
E	SEX BOLT	N/A	9
F	10# 2" TEK SCREWS(FLAT HEAD)	4	

STEP 1: MARK CENTER LINES

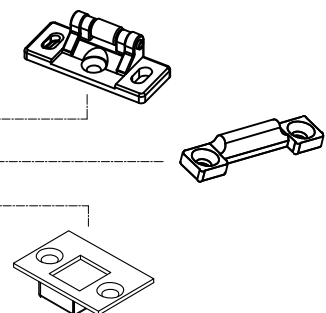
Mark Center Lines on INSIDE of door .Establish the horizontal center line of the device by drawing a line across the door 41" (1041mm) above floor line . Establish the top and bottom rod backset center line by drawing a vertical line from the top to bottom of the door measuring from the DOOR STOP. After marking & drilling, please install push bar according to its marked location. With establishment of push bar, proceed to next step of installation.

INSIDE OF LHR DOOR IS ILLUSTRATED



Regularly furnished unless ordered separated.

"A" DIMENSION	INSTALLATION
1 ⁴⁷ / ₆₄ " (44mm)	For Surface Strike
1 ⁹ / ₁₆ " (39.5mm)	For Handicap Strike
1 ⁵ / ₃₂ " (29.5mm)	For Mortised in Strike

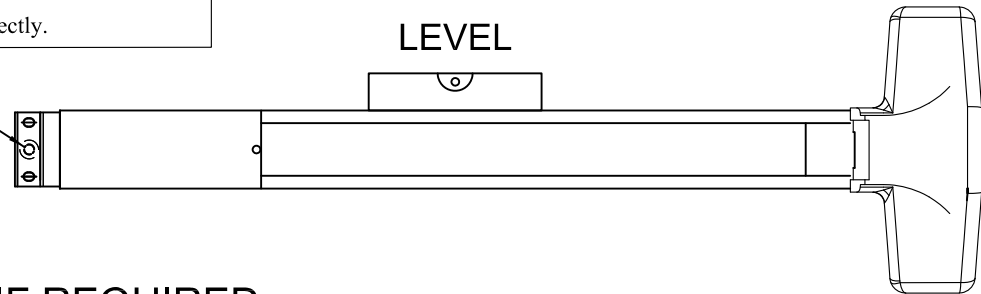


STEP 2: INSTALL DEVICE & CUT DEVICE IF REQUIRED

2A. INSTALL DEVICE

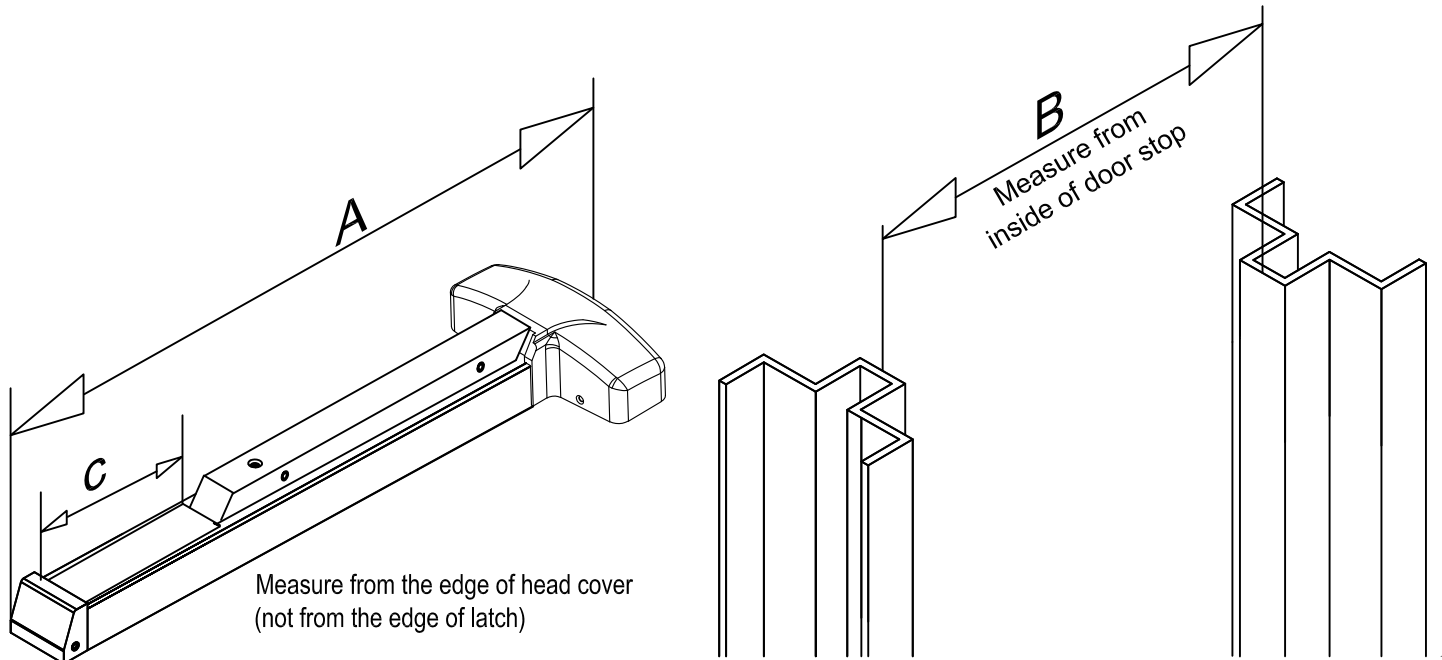
- (1) Take off head cover and put device horizontally at the door. Fix screws (B1) on chassis but DO NOT tighten them at this step.
- (2) Install bracket with screw (B2). Be sure to remain device being horizontal and then tighten all screws.
- (3) Install end cap & install head cover after STEP 9.

- ※ for "FIRE RATED":
please drill $\phi \frac{3}{8}$ " (9.6mm) hole for sex bolt (E).
- ※ for "NON-"FIRE-RATED":
please use screw (B2) directly.

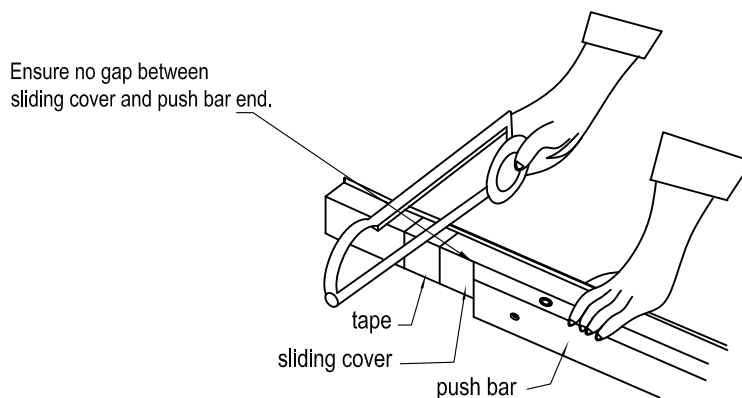


2B. CUT DEVICE IF REQUIRED

- (1) Device length A must be at least $1\frac{1}{2}$ " (38mm) shorter than B.



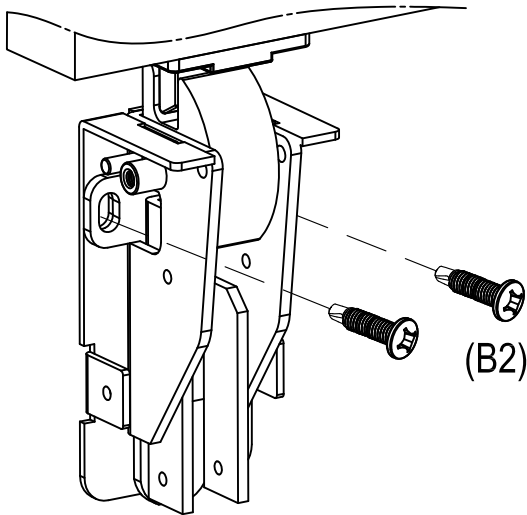
- (2) If required, cut length C, so A is at least $1\frac{1}{2}$ " (38mm) shorter than B.



NOTE : the minimum length of the sliding cover must be 1" (25.4mm) or longer than length "C".

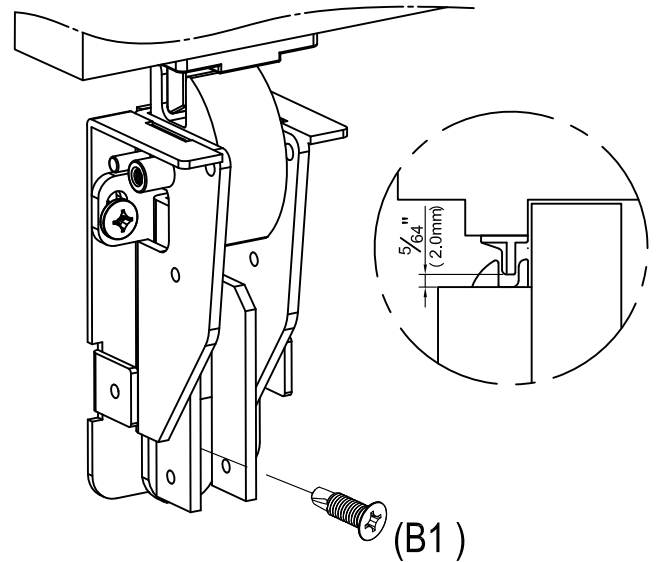
STEP 3: PREPARE TOP LATCH & INSTALL TOP LATCH

Prepare Top Latch and Mark it with TEMPLATE for later installation .
 Follow TEMPLATE to install top latch with two screws (B2).
 (DO NOT TIGHTEN screws (B2) firmly until step 4)



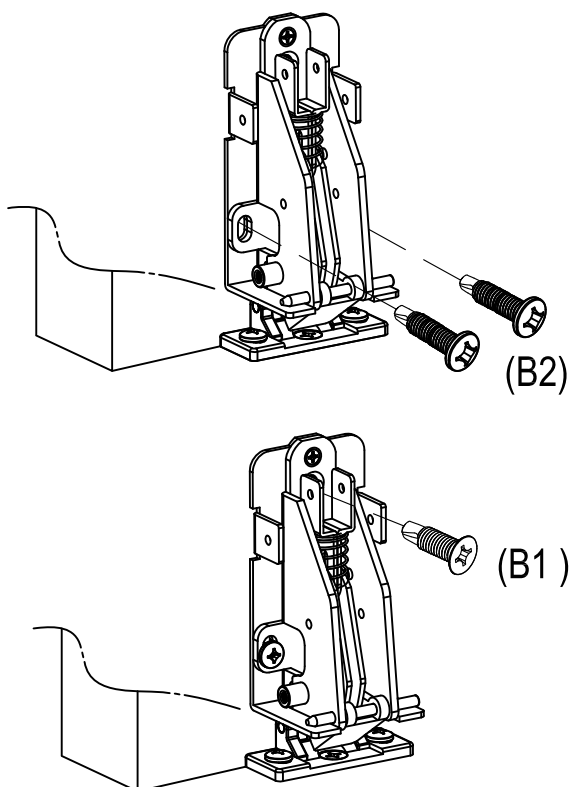
STEP 4: INSTALL TOP STRIKE

Follow TEMPLATE to install top strike. Adjust the Proper gap between top latch and strike which is about $\frac{5}{64}$ " (2.0mm), tighten screws (B2) firmly and then screw (B1).



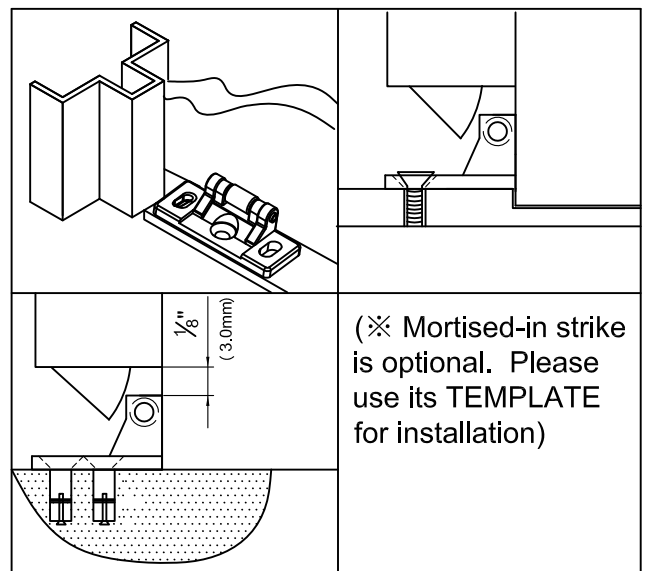
STEP 5: PREPARE BOTTOM LATCH & INSTALL BOTTOM LATCH

Prepare Bottom Latch and Mark it with TEMPLATE for later installation .
 Follow TEMPLATE to install bottom latch with two screws(B2).
 (DO NOT TIGHTEN screws (B2) firmly until step 6)



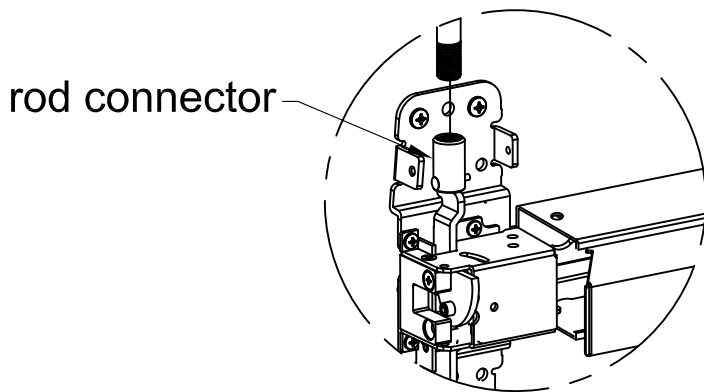
STEP 6: INSTALL BOTTOM STRIKE

Follow TEMPLATE to install bottom strike. Adjust the proper gap between bottom latch and strike which is about $\frac{1}{8}$ " (3.0mm), tighten screw (B2) firmly and then screw (B1).

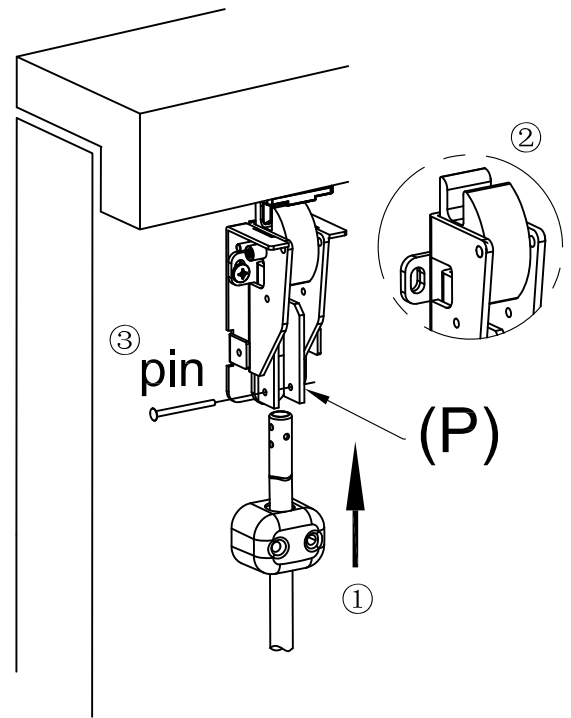


STEP 7: INSTALL & ADJUST TOP ROD

The rod length can be adjusted by the thread of the rod, adjust the correct length when door is in the closed position, by aiming the rod to the hole of the part (P).

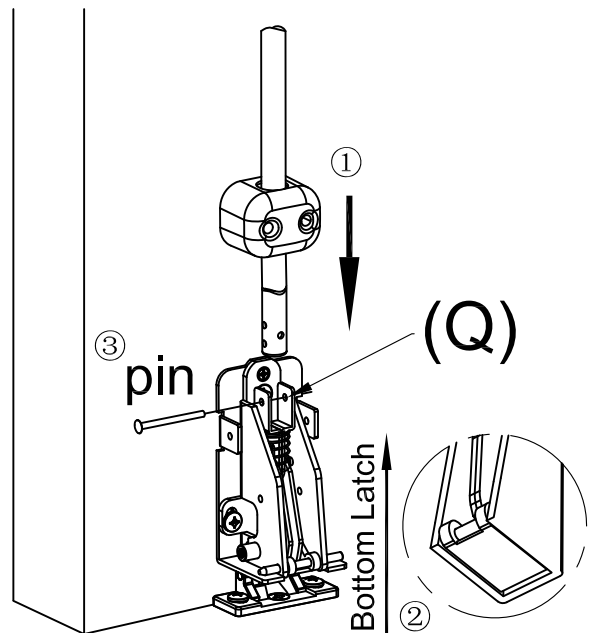
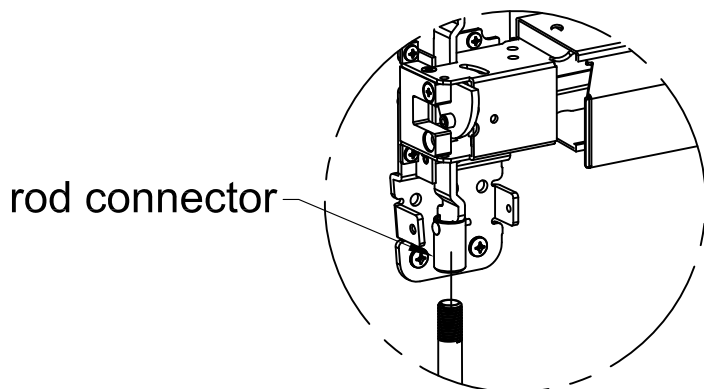


※ If top rod had been cut to fit door height, please drill hole for pin loading.



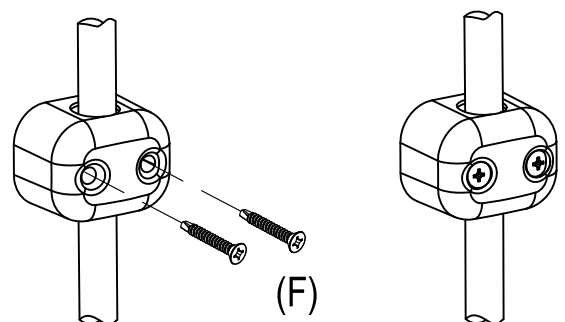
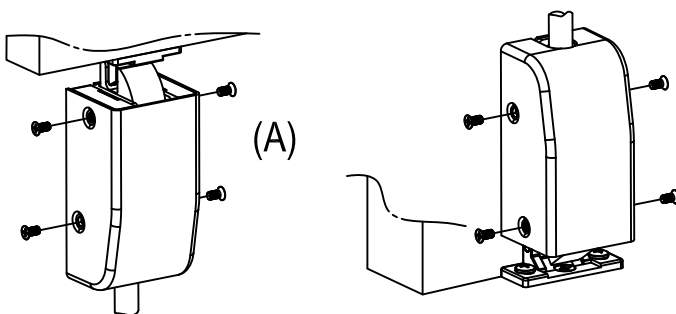
STEP 8: INSTALL & ADJUST BOTTOM ROD

The rod length can be adjusted by the thread of the rod, adjust the correct length when door is in the opened position, by aiming the rod to the hole of the part (Q).



STEP 9: INSTALL LATCH COVERS & ROD GUIDE

- (1) Install latch covers and fix/tighten them with screws (A).
- (2) Put rod guide midway between head cover and latch. Then, fix & tighten rod guide with screws (F).



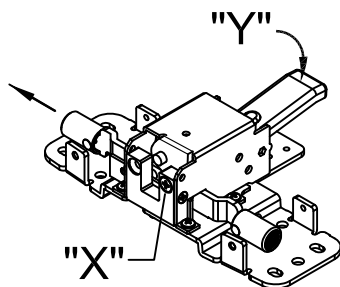
STEP 10: TEST PUSH BAR & THE DOGGING FUNCTION

1. The latches should engage the strikes when the door is closed. If the door can be pushed open without depressing the push bar, please check the rod length and installation(see step 3)
2. The latches should disengage from the strikes freely when the push bar is depressed or dogged down. If not, please check the rod length and installation again (see step 3)
3. When applying outside trims:
 - (1). No trims : Exit only, latch bolts are retracted just by the push bar inside.
 - (2). Entrance : latch bolts are retracted by trim outside after the trim is unlocked.
 - (3). Storeroom : latch bolts are retracted by trim outside with key only.
 - (4). Passage : latch bolts are retracted by trim outside always open.
4. Dogging: Use dogging hex key and turn clockwise 90° when depressing push bar. Latch bolts will remain retracted.

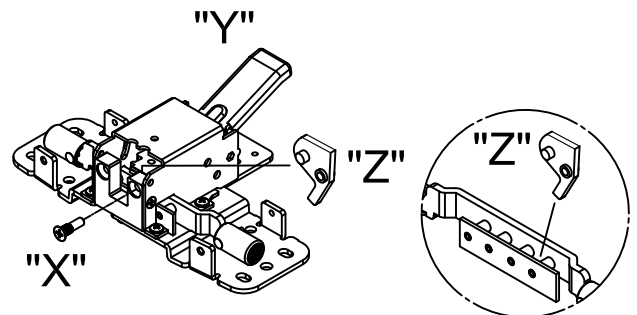
STEP 11: CHANGE HANDING OF DEVICE

TO CHANGE HANDING OF DEVICE (FOR EXAMPLE: FROM LHR to RHR)

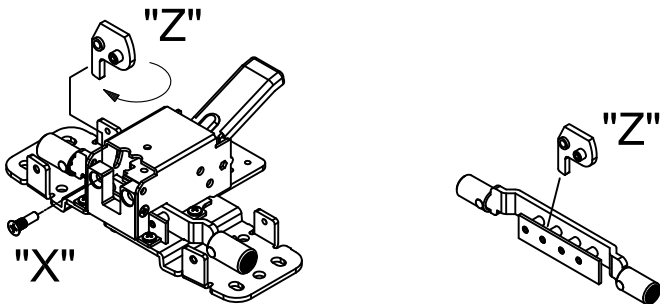
(LHR)



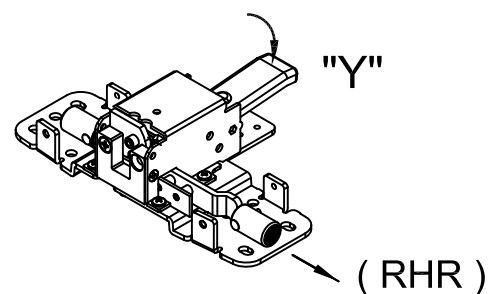
Press Lift Arm "Y" and ensure the direction before changing.
The "X" screw is located shown for LHR.



Remove the "X" screw , pull out "Z".



Position "Z" as shown. Screw in "X" in hole position shown.



Press Lift Arm "Y" to ensure handing is correct.