

Installation Instructions

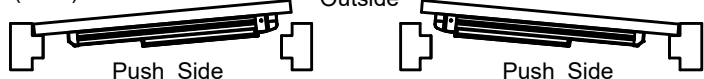
Narrow Stile Mortise Panic Exit Device



Determine handing of door

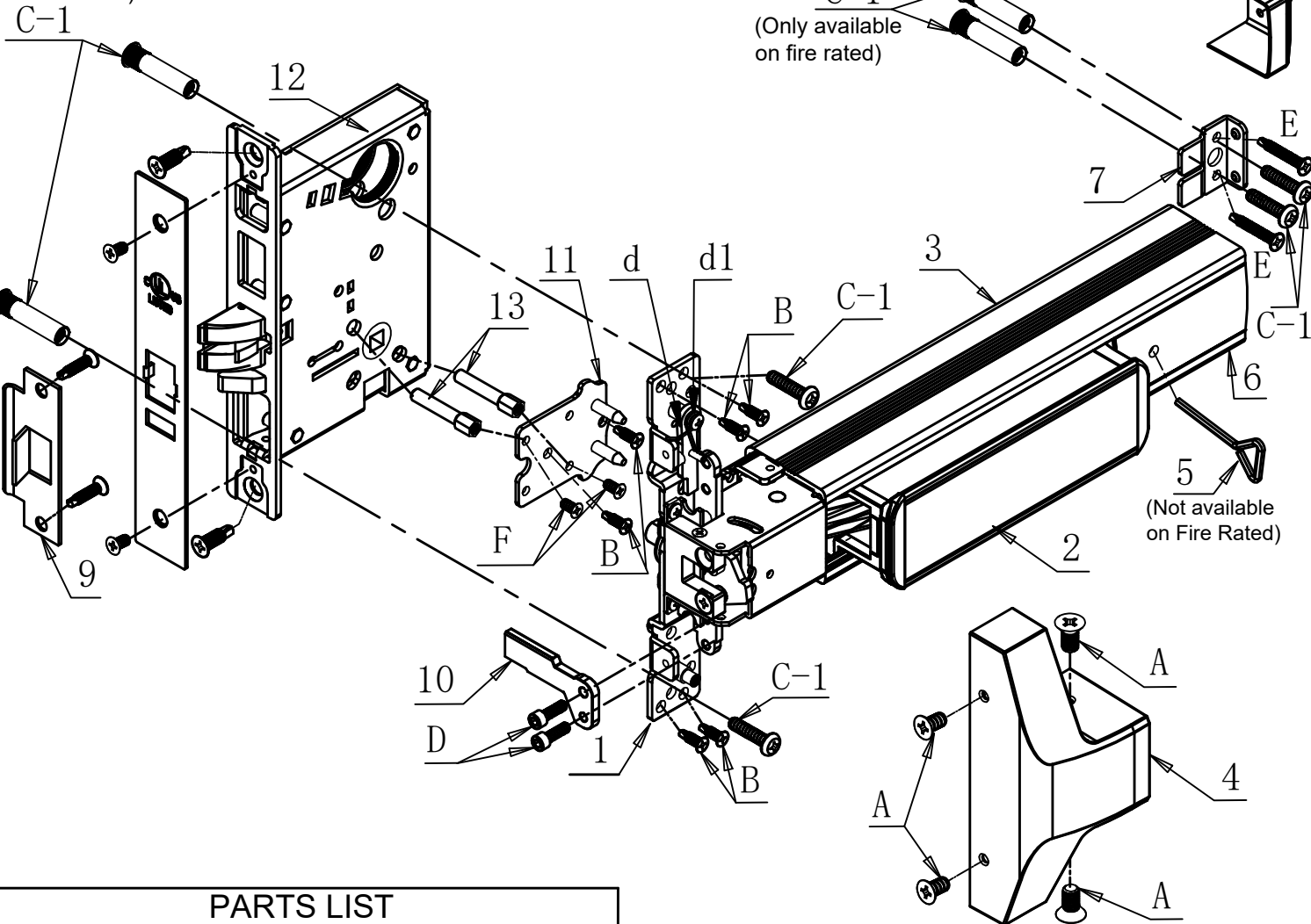
Right - Hand Reverse Bevel (RHR)

Left - Hand Reverse Bevel (LHR)



LHR as shown

(Only available on fire rated)



PARTS LIST

ITEM	DESCRIPTION	QTY
1	CHASSIS ASSY	1
2	PUSH BAR	1
3	MOUNTING RAIL	1
4	HEAD COVER	1
5	ALLEN WRENCH (Not available for Fire Rated)	1
6	SLIDING COVER	1
7	BRACKET	1
8	END CAP	1
9	MORTISE STRIKE	1
10	ACT ARM	1
11	MOUNTING PLATE	1
12	MORTISE LOCK	1
13	GUIDE BOLT	2

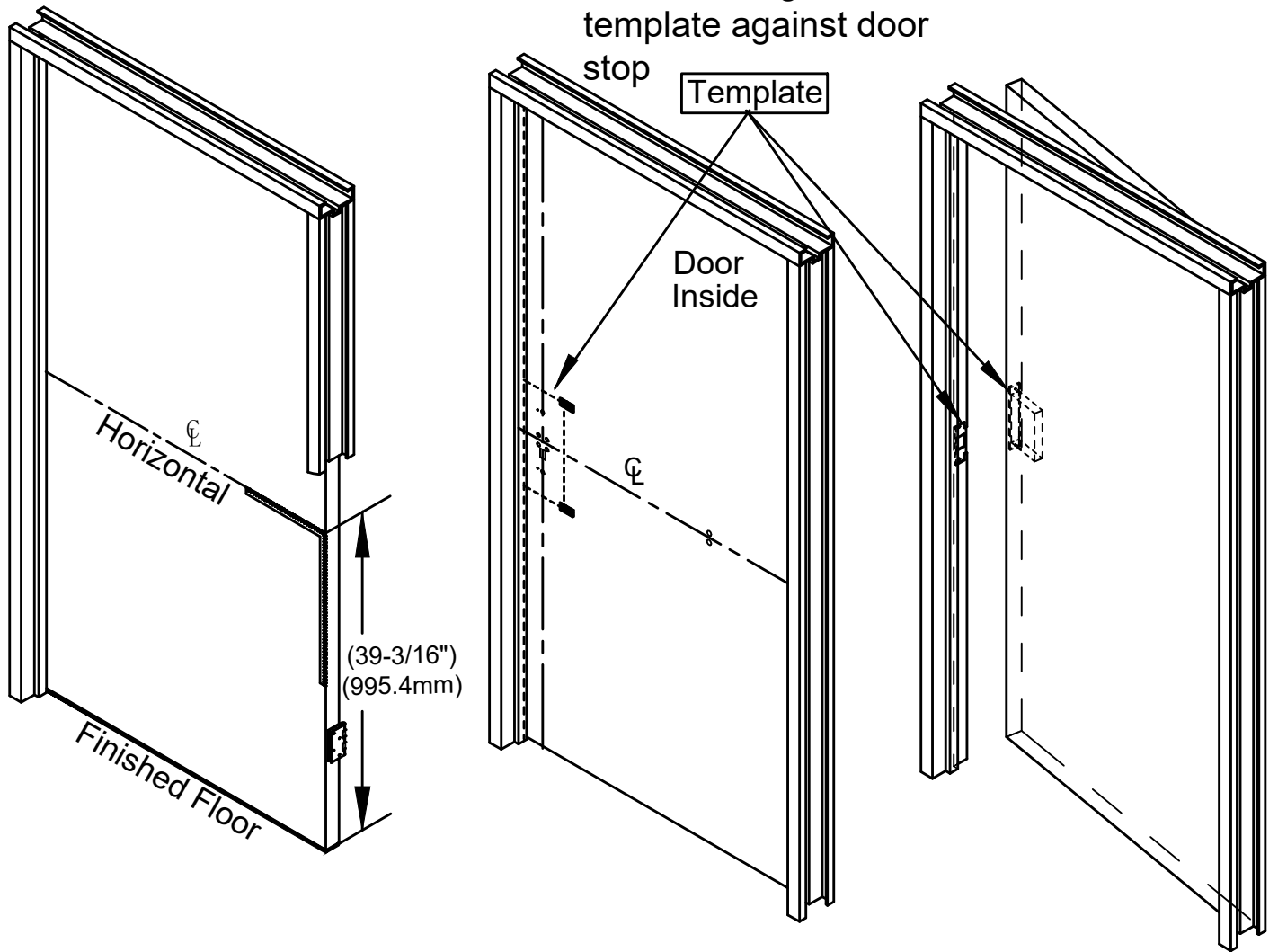
PARTS LIST

ITEM	DESCRIPTION	QTY
A	SM4*8 FLAT HEAD SCREWS	6
B	10#*5/8" FLAT HEAD TEK SCREWS	6
C	SM5/32**1-1/4" FLAT HEAD SCREWS	4
C-1	SEX BOLT (Only available on Fire Rated)	4
D	HEX SCREWS M5X12	2
E	10#*1-1/4" FLAT HEAD TEK SCREWS	2
F	3/16**3/8" FLAT HEAD SCREWS	2
"a"	Screw Cam	1
"b"	Cam	1
"c"	Latch Activating Lever	1
"d"	Latch Seized Plate Assy	1
"d1"	M4*8 Round Head Screw	1

* For Fire Rated Type Only*

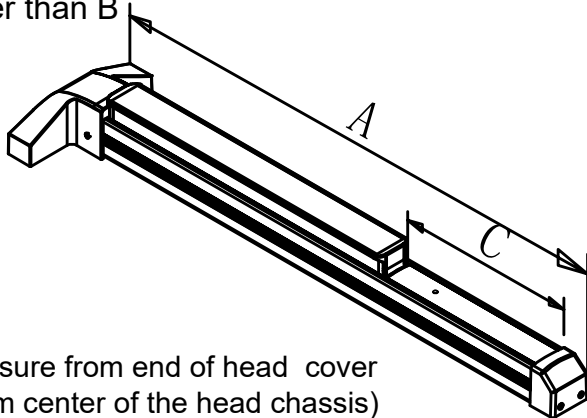
STEP 1 : PREPARE INSTALLATION " LHR shown (RHR opposite)

Place cut edge of template against door stop

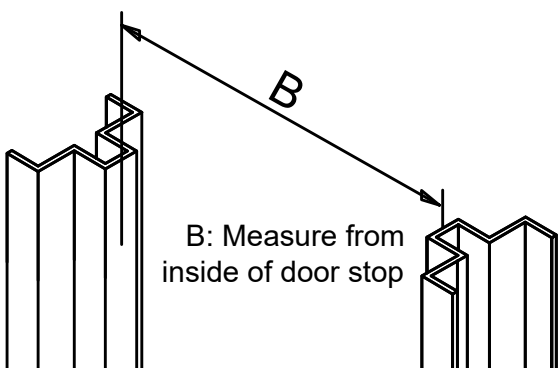


STEP 2 : CUT DEVICE IF REQUIRED

2-A Device length A must be at least 1- 3/4" (45mm) shorter than B

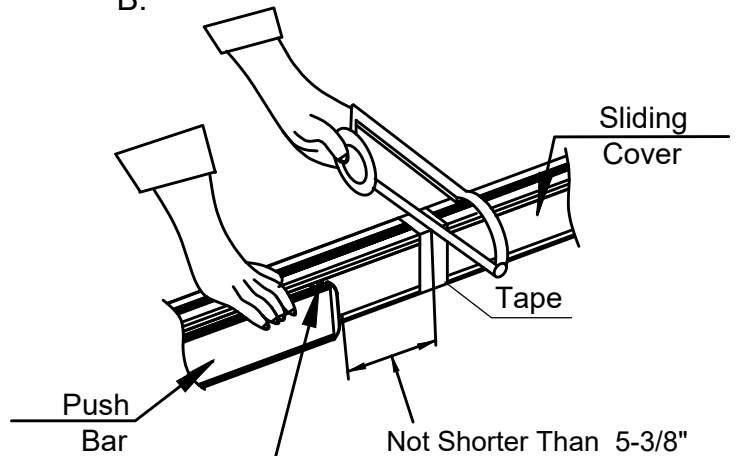


A: Measure from end of head cover (not from center of the head chassis)



B: Measure from inside of door stop

2-B If necessary, cut length C, so A is at least 1- 3/4" (45mm) shorter than B.



Ensure no gap between sliding cover and push bar end

STEP 3 : Install Mortise Panic (Without trim! If trim installed, go to page 3-1)

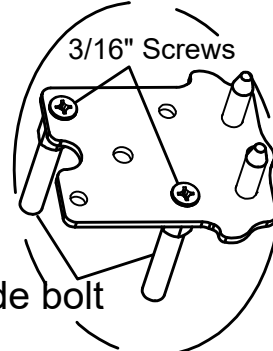
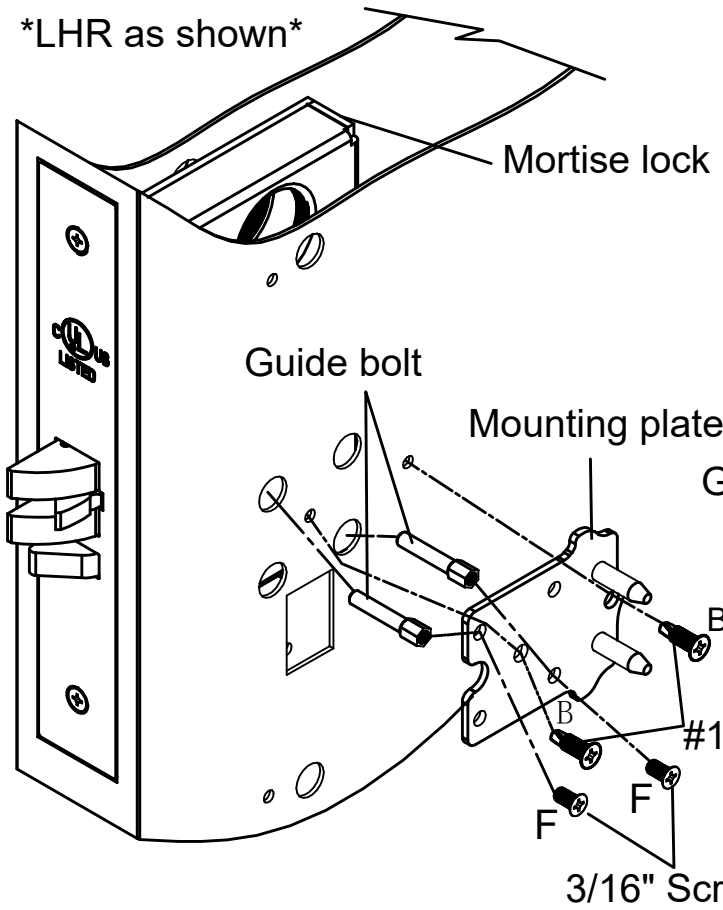
LHR as shown

***INSTALL MOUNTING PLATE ***

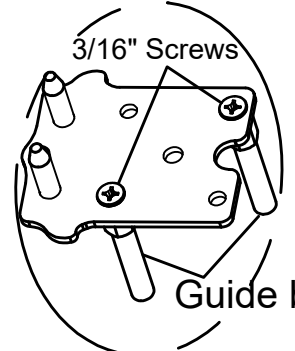
3-A: Install the SEX BLOT on the door. (Only for Fire Rated)

3-B: Fix Guide bolt(2) on mounting plate by two(2) 3/16" screws as shown.

3-C: #10 screws fix mounting plate on the door.



LHR



RHR

3/16" Screws

INSTALL CHASSIS & BRACKET

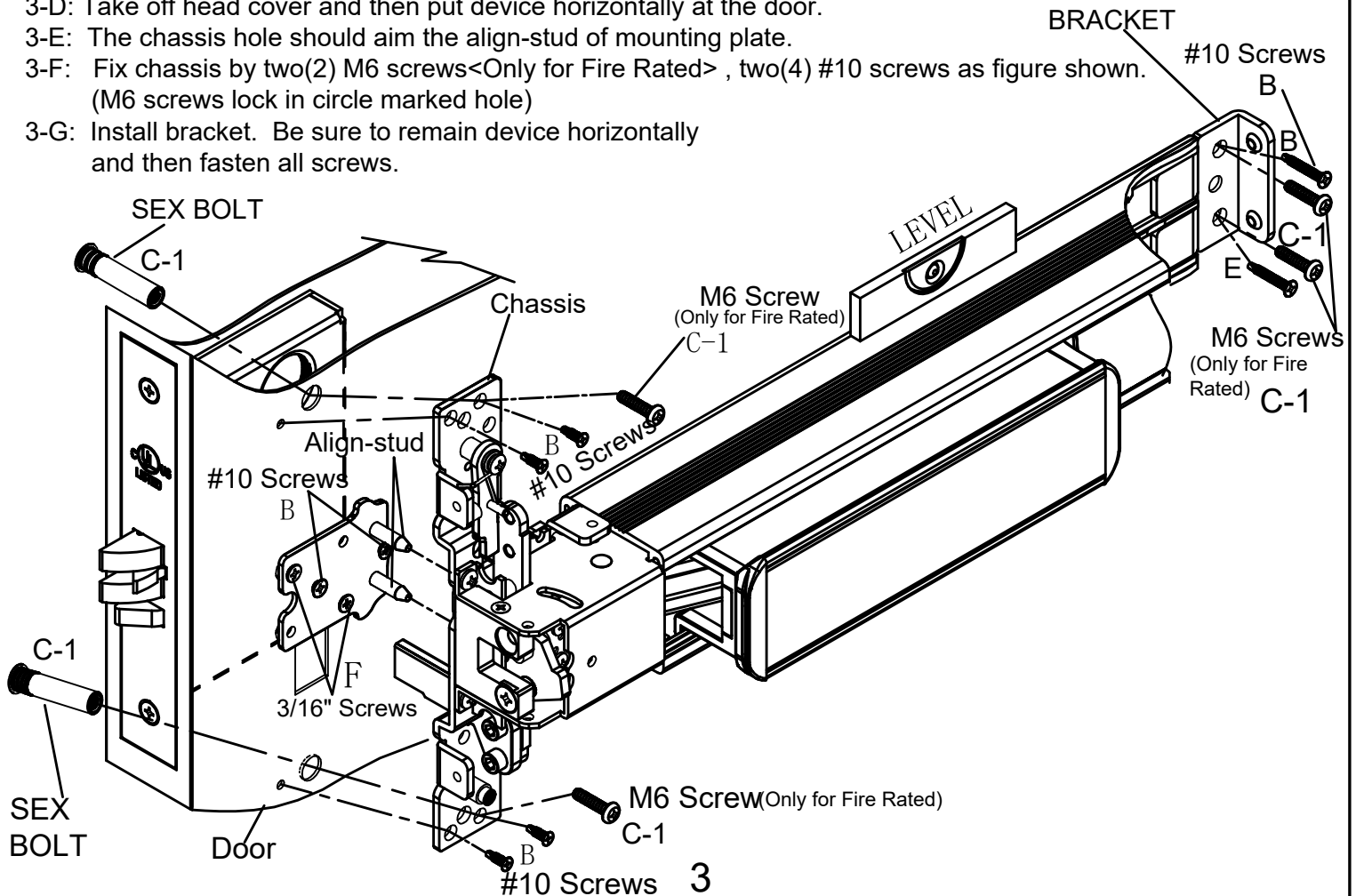
(refer to step 5 and step 6 to ensure handing , before step 3-D started.)

3-D: Take off head cover and then put device horizontally at the door.

3-E: The chassis hole should aim the align-stud of mounting plate.

3-F: Fix chassis by two(2) M6 screws<Only for Fire Rated> , two(4) #10 screws as figure shown. (M6 screws lock in circle marked hole)

3-G: Install bracket. Be sure to remain device horizontally and then fasten all screws.

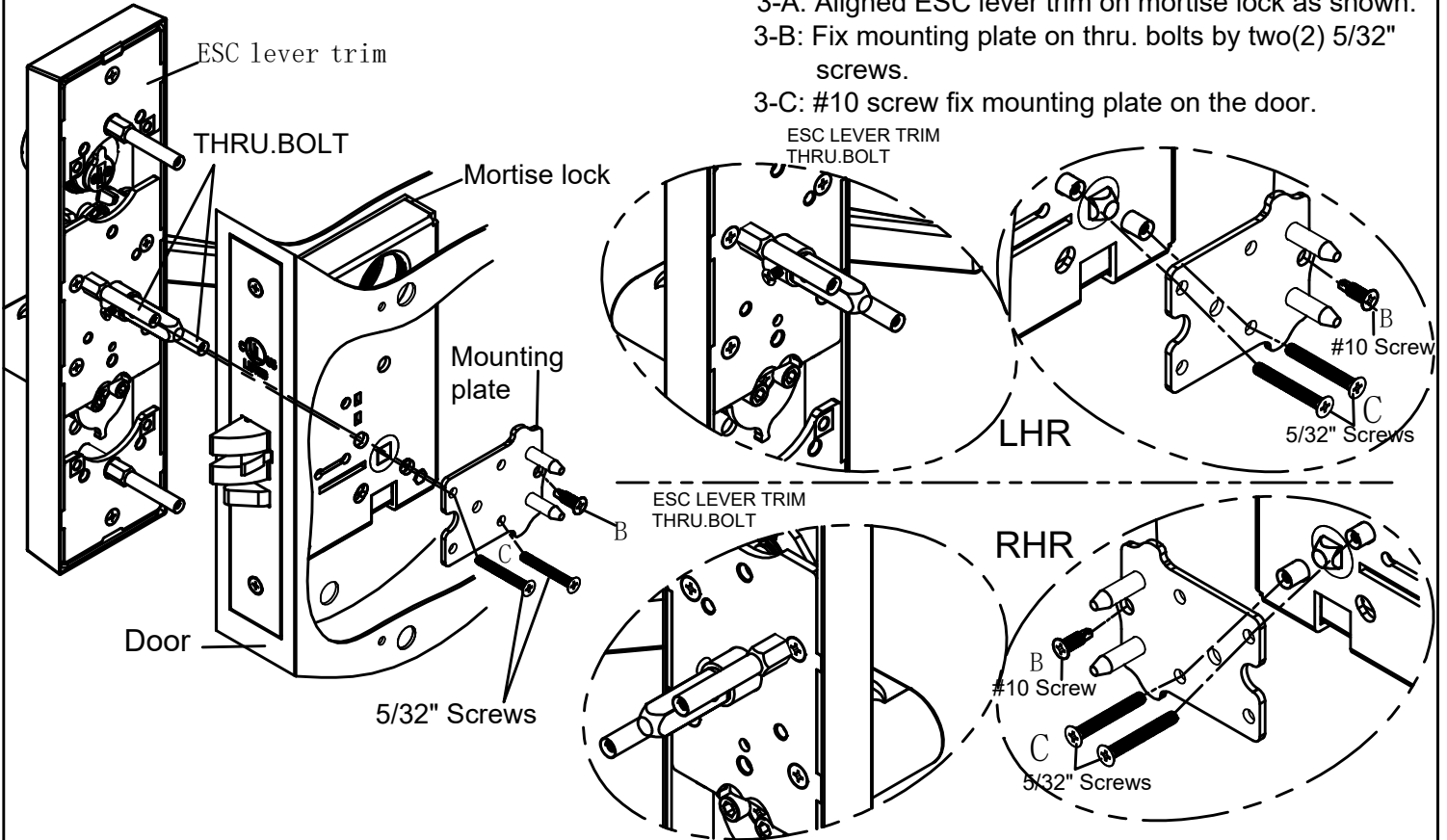


STEP 3 : Install ESC Lever Trim on Mortise Panic (If no trim installed, go to page 3)

LHR shown

INSTALL MOUNTING PLATE & ALIGN-THRU.BOLT

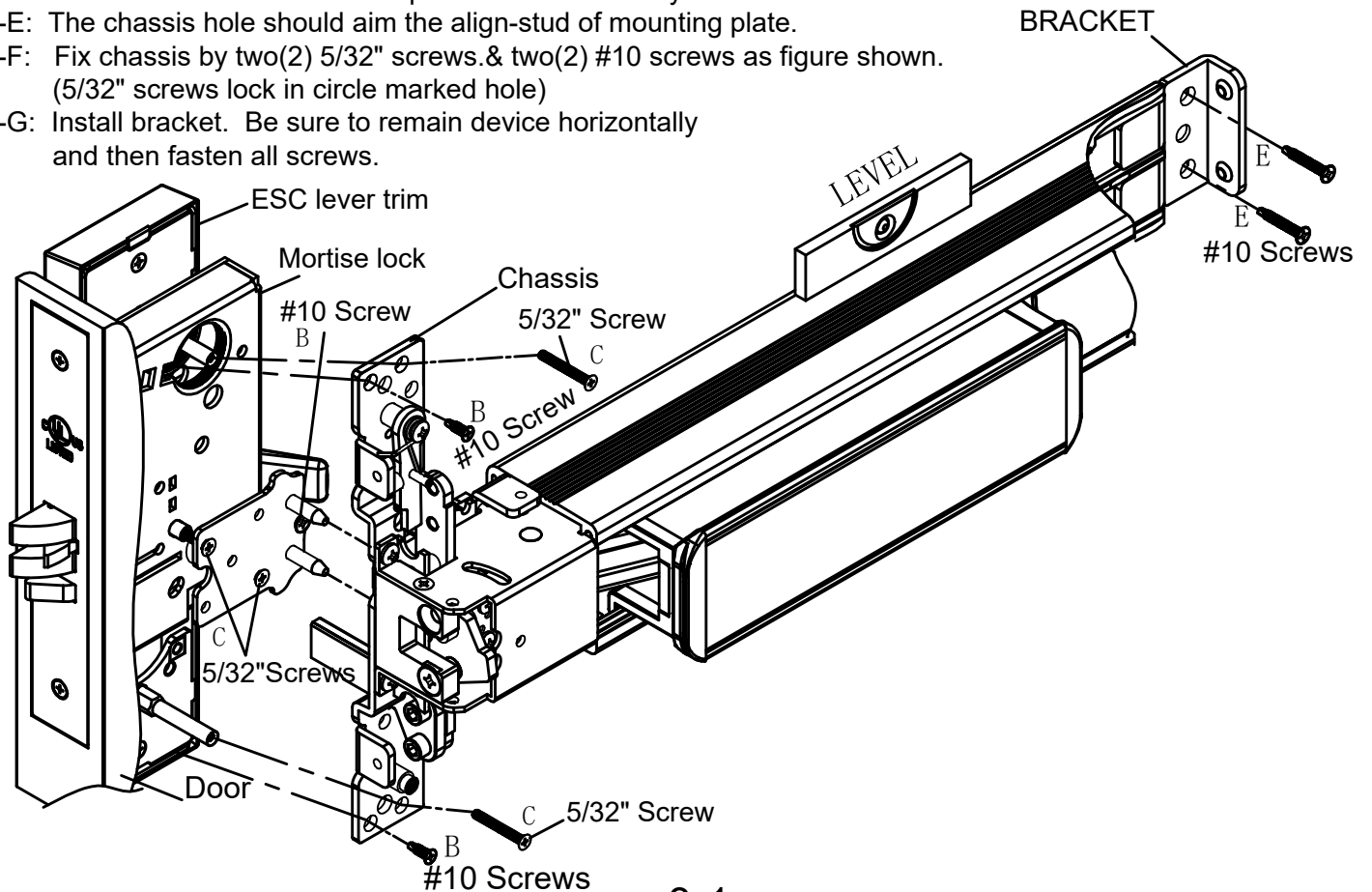
- 3-A: Aligned ESC lever trim on mortise lock as shown.
- 3-B: Fix mounting plate on thru. bolts by two(2) 5/32" screws.
- 3-C: #10 screw fix mounting plate on the door.



INSTALL CHASSIS ASS'Y & BRACKET

(refer to step 5 and step 6 to ensure handing , before step 3-D started.)

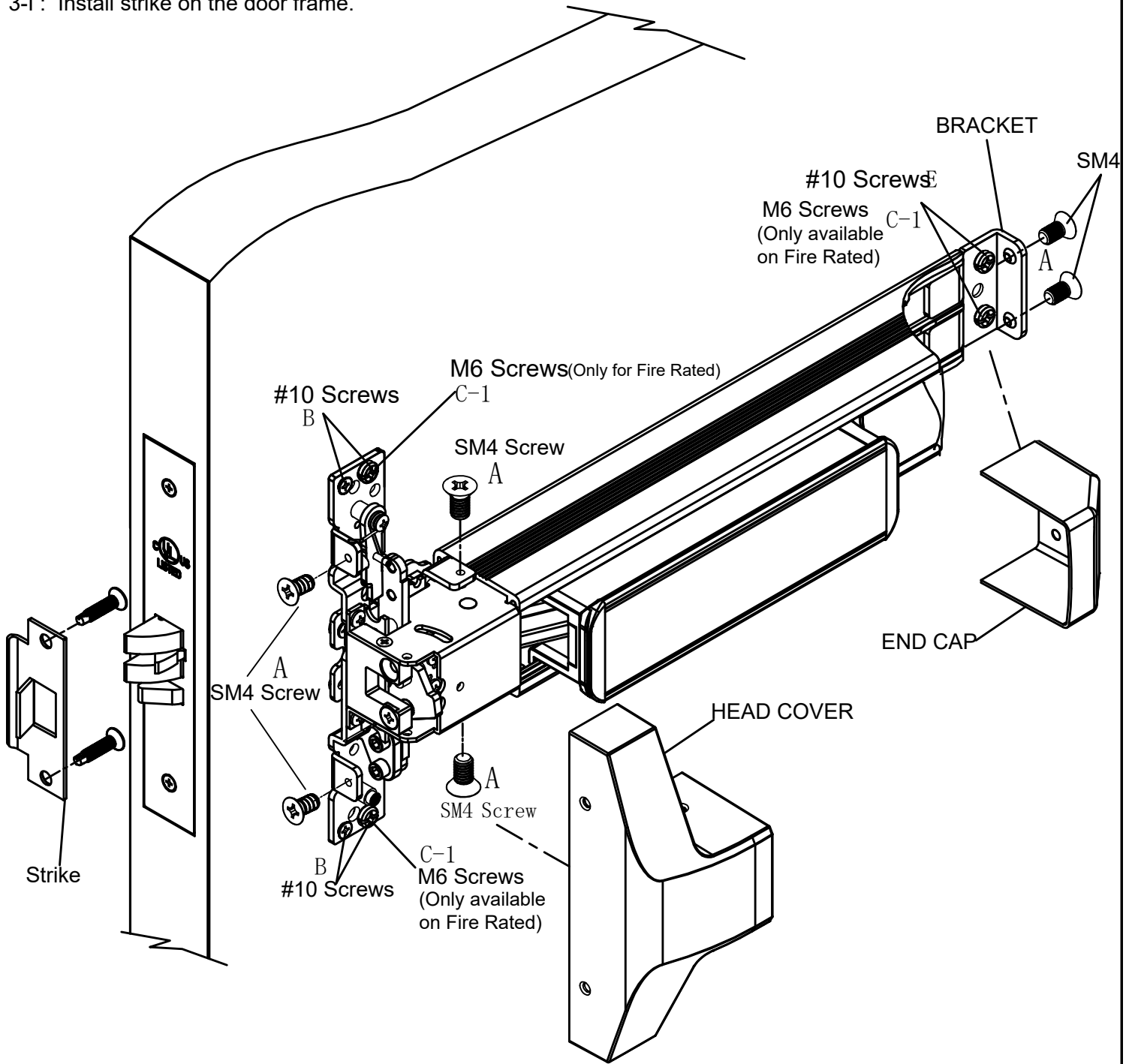
- 3-D: Take off head cover and then put device horizontally at the door.
- 3-E: The chassis hole should aim the align-stud of mounting plate.
- 3-F: Fix chassis by two(2) 5/32" screws. & two(2) #10 screws as figure shown. (5/32" screws lock in circle marked hole)
- 3-G: Install bracket. Be sure to remain device horizontally and then fasten all screws.



***INSTALL END CAP & HEAD COVER & STRIKE**

3-H: Install end cap & head cover.

3-I : Install strike on the door frame.



STEP 4 : TEST PUSH BAR & THE DOGGING FUNCTION

- 4-A: The latches should engage the strikes when the door is closed, and the latches should disengage from the strikes freely, when the push bar is depressed or dogging.
- 4-B: When applying outside trims:
 - (1).No trims Exit only, latch bolts are retracted just by the push bar inside.
 - (2).Entry latch bolts are retracted by trim outside after the trim is unlocked.
 - (3).Storeroom latch bolts are retracted by trim outside with key only.
 - (4).Passage latch bolts are retracted by trim always open.
- 4-C: Dogging: Use allen wrench and turn clockwise 90° when depressing push bar. Latch bolts will remain retracted.