

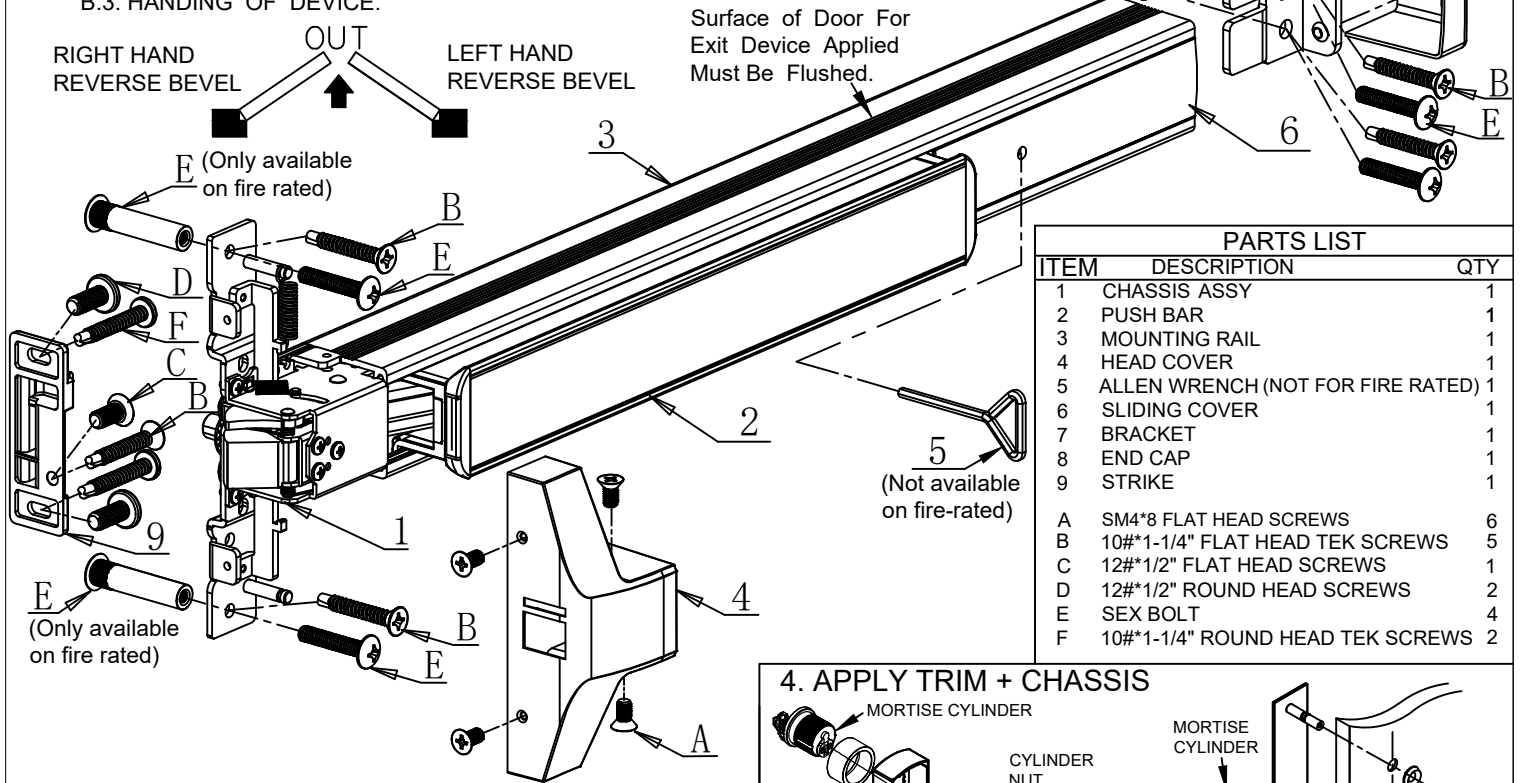
INSTALLATION INSTRUCTIONS FOR HEAVY DUTY NARROW STILE RIM PANIC EXIT DEVICE



BEFORE INSTALLING DEVICE, PLEASE CHECK:

- A. THE DOOR MUST BE HANGING CORRECTLY.
- B. SIZE OF EXIT DEVICE, FUNCTION AND DESIGN...
 - B.1. 36" DOORS, CAN BE CUT TO FIT DOORS DOWN TO 30" WIDE.
 - B.2. 48" DOORS, CAN BE CUT TO FIT DOORS DOWN TO 36" WIDE.
 - B.3. HANDING OF DEVICE.

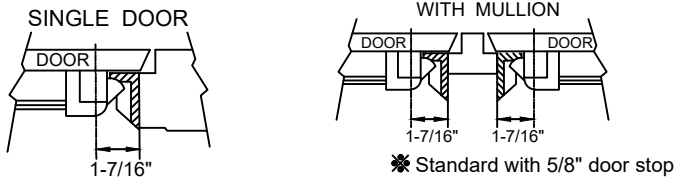
(Only available on fire rated) E



PARTS LIST

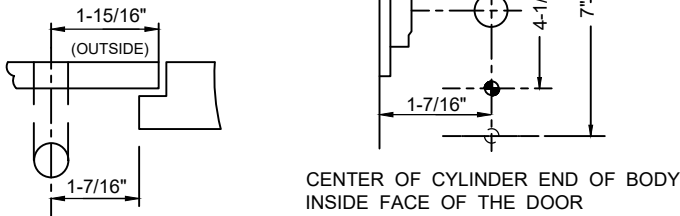
ITEM	DESCRIPTION	QTY
1	CHASSIS ASSY	1
2	PUSH BAR	1
3	MOUNTING RAIL	1
4	HEAD COVER	1
5	ALLEN WRENCH (NOT FOR FIRE RATED)	1
6	SLIDING COVER	1
7	BRACKET	1
8	END CAP	1
9	STRIKE	1
A	SM4*8 FLAT HEAD SCREWS	6
B	10#*1-1/4" FLAT HEAD TEK SCREWS	5
C	12#*1/2" FLAT HEAD SCREWS	1
D	12#*1/2" ROUND HEAD SCREWS	2
E	SEX BOLT	4
F	10#*1-1/4" ROUND HEAD TEK SCREWS	2

1. TYPE OF INSTALLATION



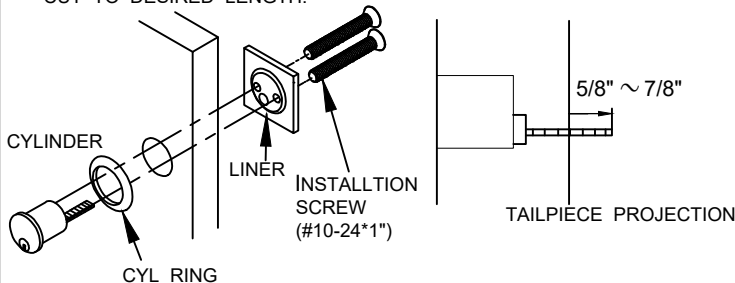
2. DRILL HOLES

A. MARK DOOR FACE AND DRILL HOLES IN ACCORDANCE WITH THE DIAMETERS SUGGESTED. SEE ATTACHED TEMPLATE

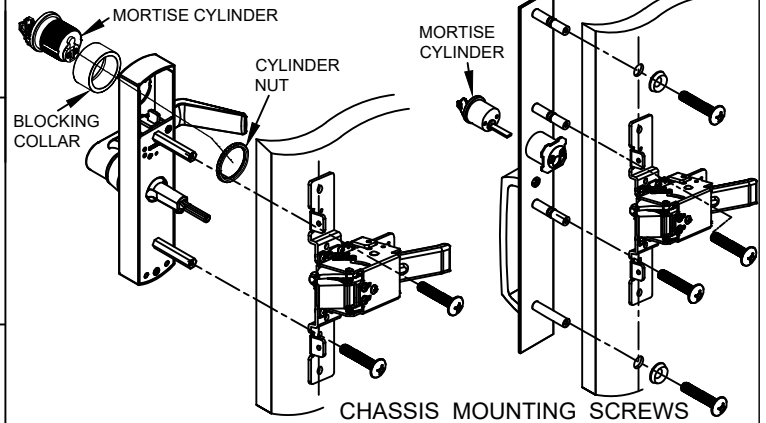


3. INSTALL CYLINDER

- A. INSERT THE CYLINDER THROUGH THE CYL RING THE HOLE ON THE DOOR.
- B. KEEP THE TAILPIECE HORIZONTALLY.
- C. MOUNT LINER ON INSIDE OF DOOR.
- D. TAILPIECE PROJECTION OVER INSIDE OF DOOR IS SUGGESTED IN THE RANGE "5/8" ~ 7/8". IF NECESSARY, USE A PLIER TO BEND AND CUT TO DESIRED LENGTH.

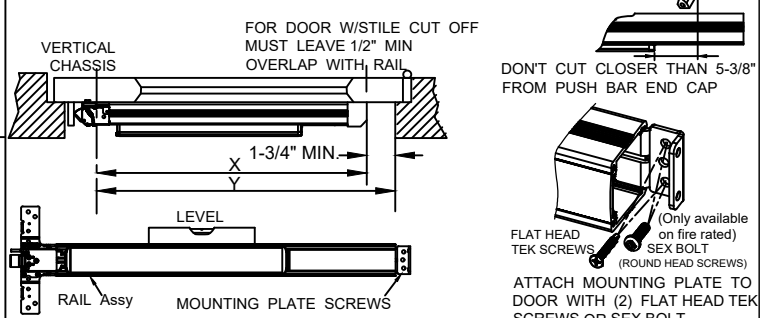


4. APPLY TRIM + CHASSIS



5. APPLY RAIL ASSEMBLY

- A. CHECK THE SIZE OF DEVICE, IF CUTTING IS REQUIRED.
- B. DETERMINE CUT OFF LENGTH "X" BY SUBTRACTING 1-3/4" FROM "Y". MARK CUT OFF POINT ON MOUNTING RAIL.
- C. DREPRESS ARM INTO RAIL OPENING AND SLIDE RAIL ONTO CHASSIS. LEVEL RAIL AND FASTEN CHASSIS AND MOUNTING PLATE.



6. APPLY COVER AND STRIKES

