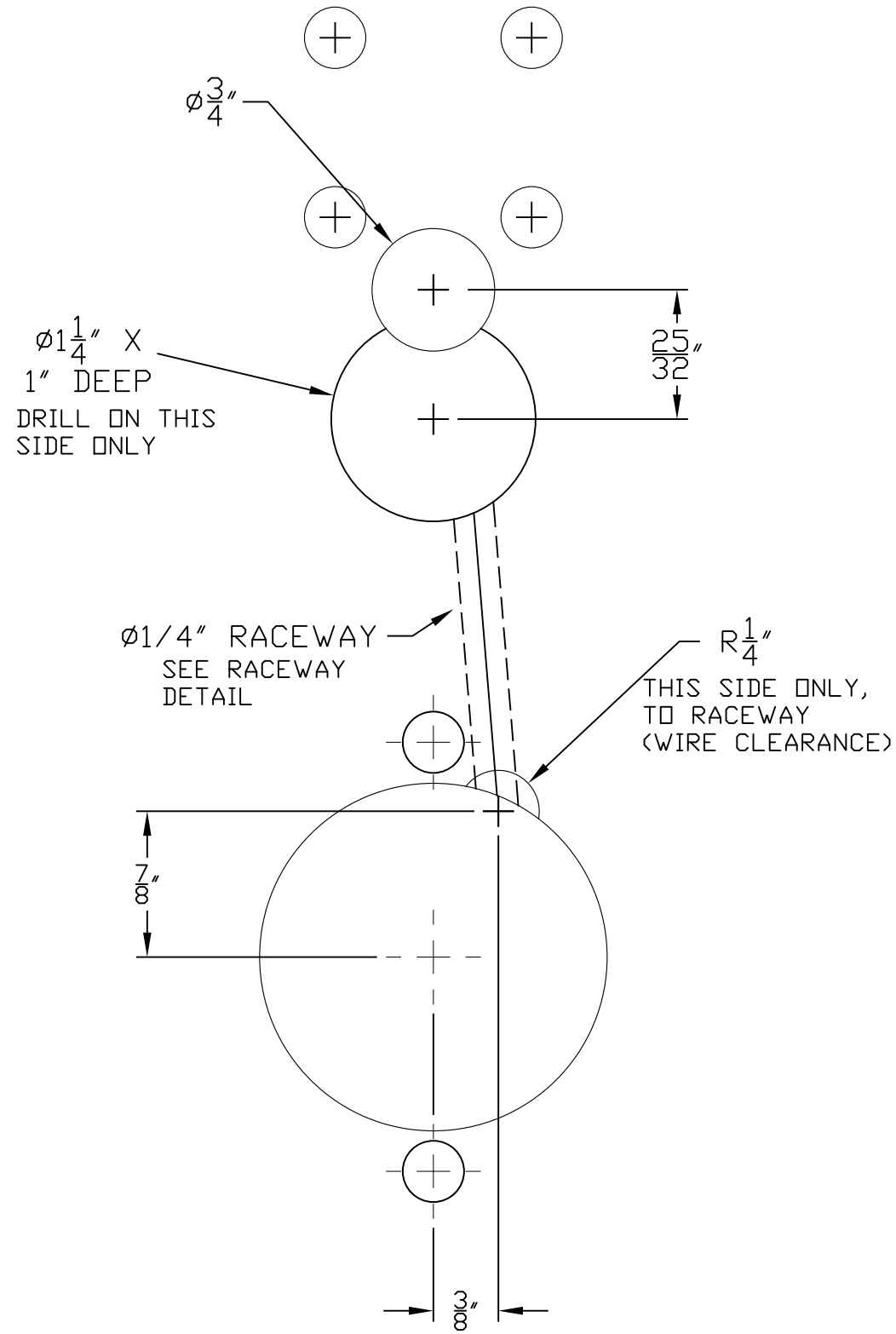


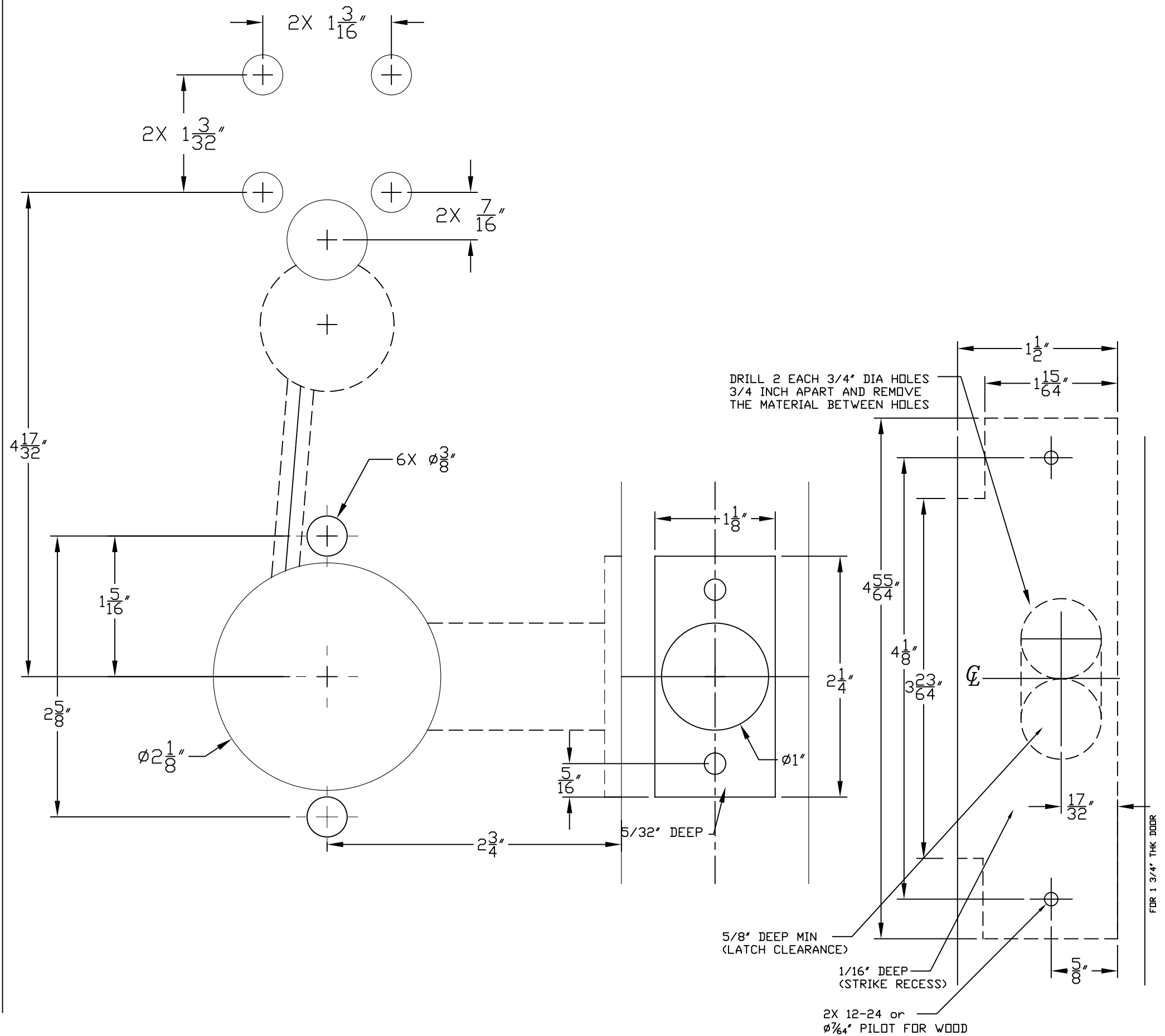
INSIDE

LEFT HAND CUTOUT



OUTSIDE

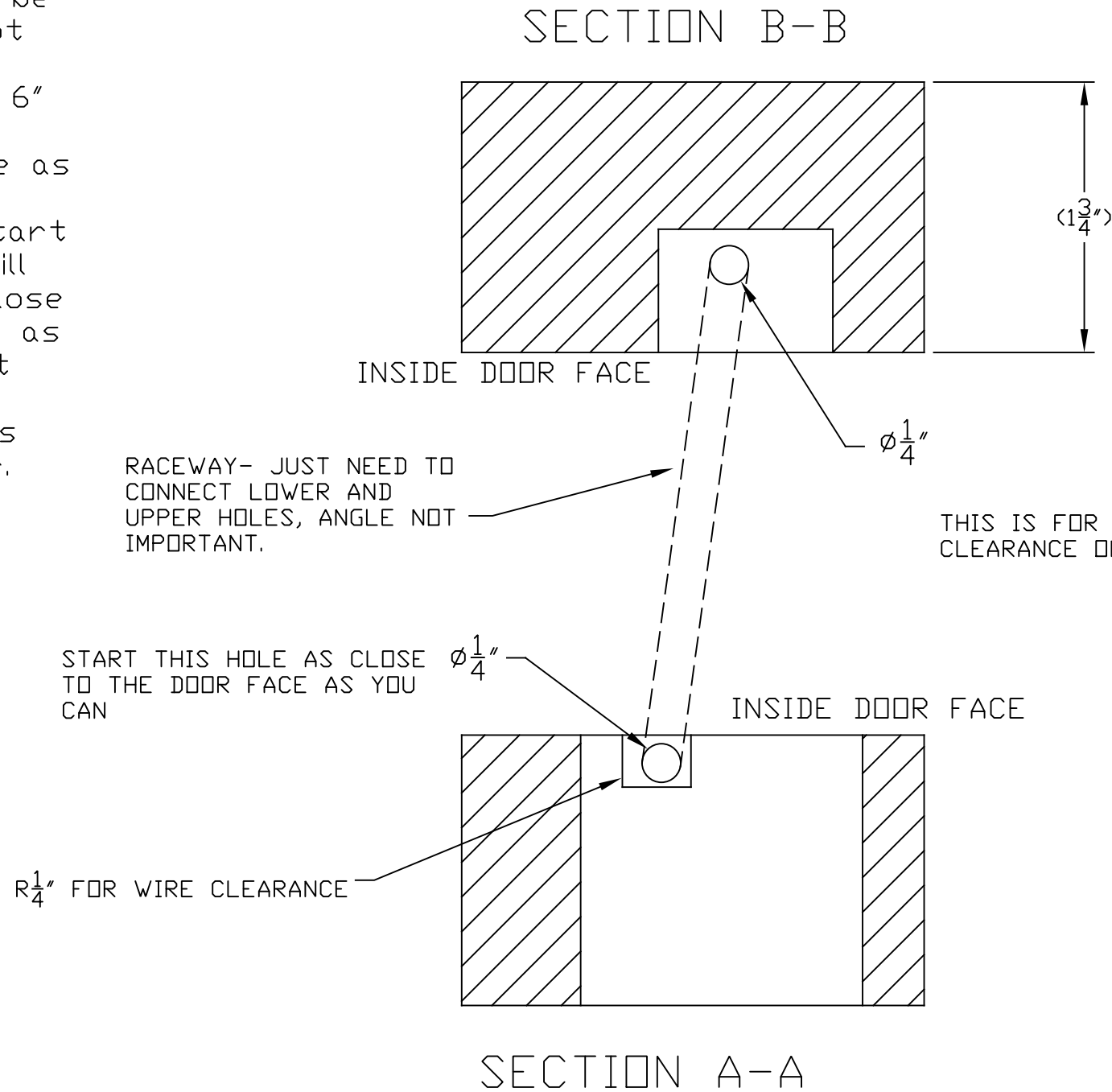
XTRXL TEMPLATE
LEFT HAND



XTRXL TEMPLATE LEFT HAND

DRILLING THE RACEWAY:

The raceway is $\phi 1/4$, can be larger if needed. It is not seen on the face of the door. Drill bit should be 6" or more in length so you can create as much angle as possible to connect the upper and lower holes. Start at the lower hole and drill with the drill motor as close to the face of the door as possible. Drill to connect the holes. Angle doesn't matter as long as it goes from 1 hole to the other.



INSIDE LEFT HAND RACEWAY DETAIL

