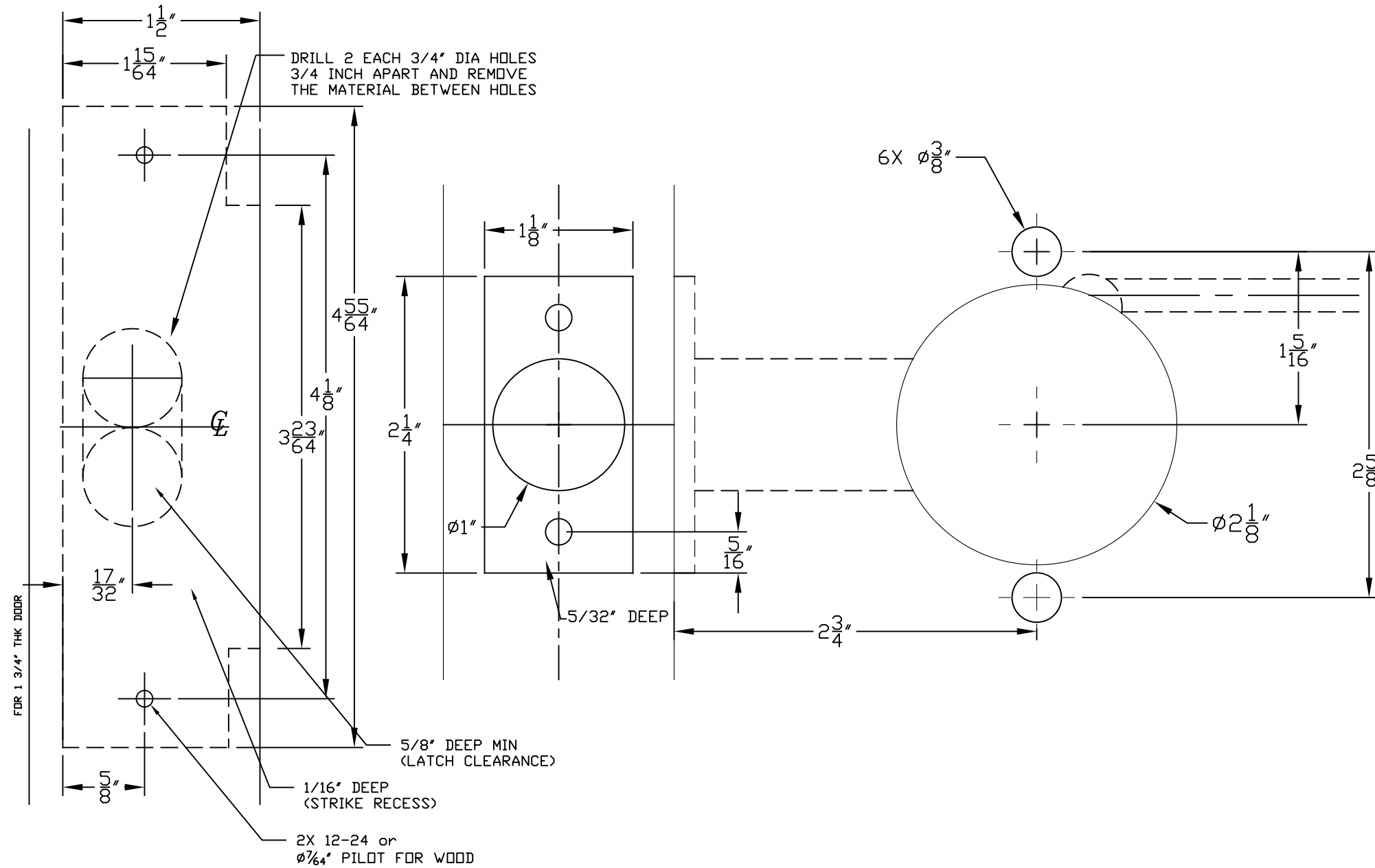


XTRXL ELECTRIFIED TEMPLATE RIGHT HAND

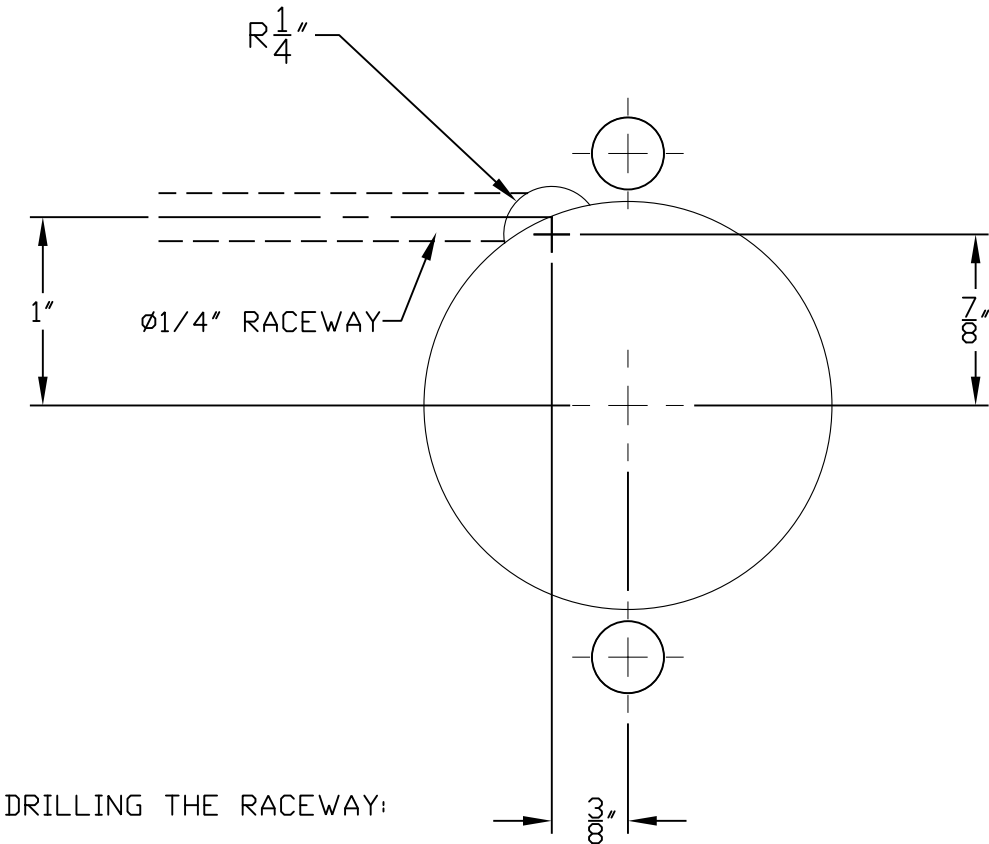
OUTSIDE

RIGHT HAND CUTOUT

INSIDE



THIS SIDE ONLY,
TO RACEWAY
(WIRE CLEARANCE)



DRILLING THE RACEWAY:

The raceway is Ø1/4", can be larger if needed. It is not seen on the face of the door.

R 1/4" is wire clearance and has to be as deep as necessary to intersect the raceway, usually 1/2 of the door thickness deep.

RESPONSIBILITY

Doors and Frame manufacturers are responsible for providing adequate construction or reinforcement for proper installation of hardware shown. All architectural builders hardware must be installed on properly reinforced doors and frames, regardless of the type, material, or method of constructions.

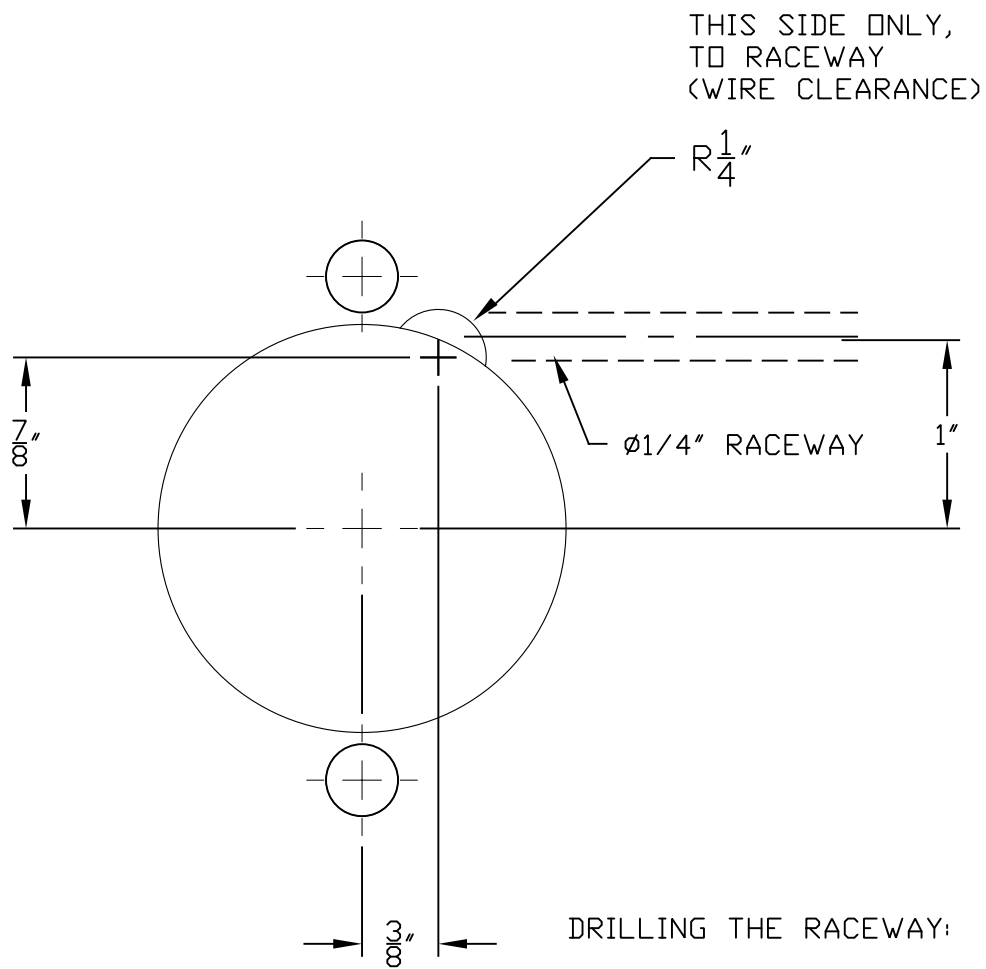
TEMPLATE SCALE IS 1:1 IF THIS MEASURES 1":

INSIDE

LEFT HAND CUTOUT

XTRXL ELECTRIFIED TEMPLATE LEFT HAND

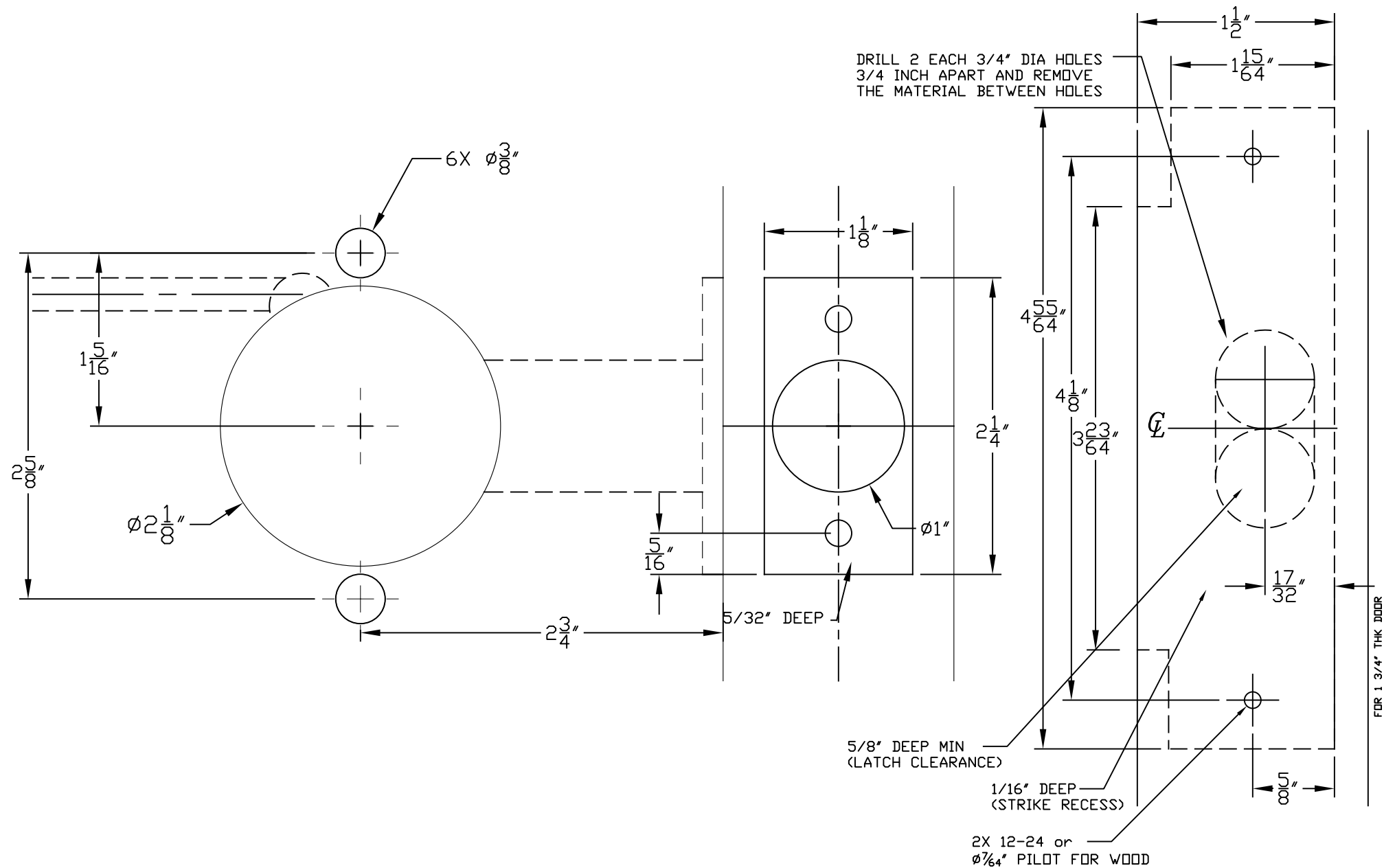
OUTSIDE



DRILLING THE RACEWAY:

The raceway is $\phi 1/4$, can be larger if needed. It is not seen on the face of the door.

$R\frac{1}{4}$ is wire clearance and has to be as deep as necessary to intersect the raceway, usually $\frac{1}{2}$ of the door thickness deep.



RESPONSIBILITY

Doors and Frame manufacturers are responsible for providing adequate construction or reinforcement for proper installation of hardware shown. All architectural builders hardware must be installed on properly reinforced doors and frames, regardless of the type, material, or method of constructions.

TEMPLATE SCALE IS 1:1 IF THIS MEASURES 1":