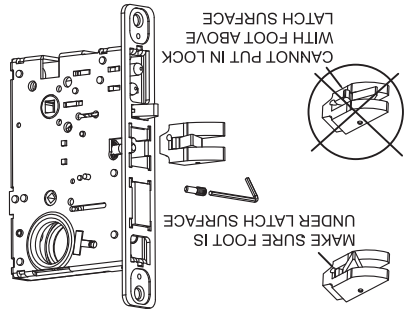
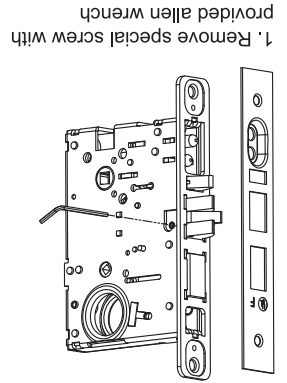


Heavy Duty Commercial Mortise Lock “Easily Field Reversible”

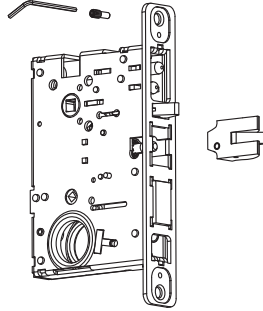
INSTALLATION GUIDE

Mortise handing change instruction

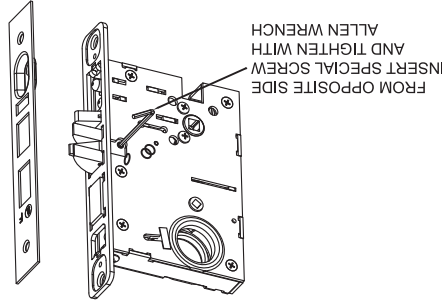
Change the latchbolt position



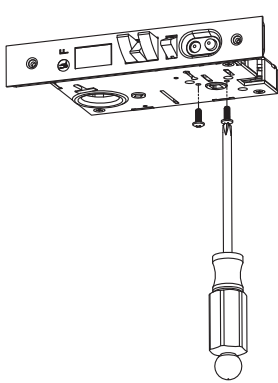
2. Pull latch bolt out of lock



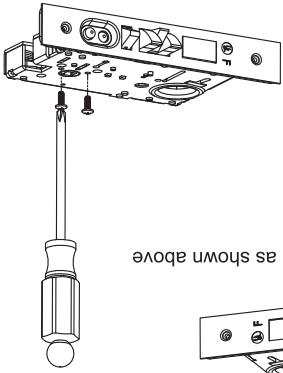
4. Reinstall the special screw and tighten securely with the provided allen wrench.



1. Remove 2 screws as shown above



2. Turn lock over to opposite side and reinstall screws as shown above. To ensure locking slide does not bind, manually push to the desired side or alternate tightening each screw every 2-3 turns.



Change the locking slide position