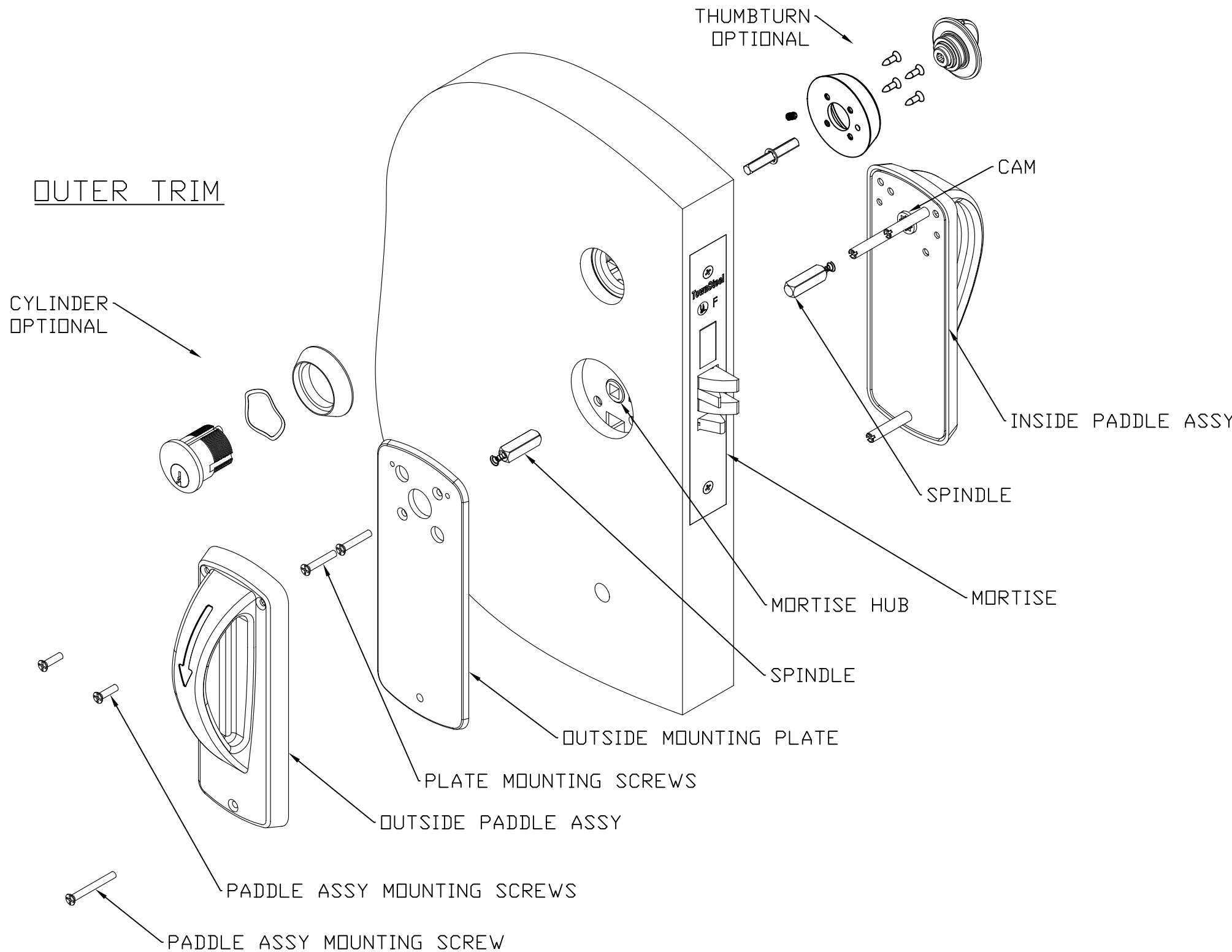


LEFT HAND SHOWN

INNER TRIM

MRXA INSTALLATION GUIDE



1. PREPARE DOOR CUTOUT PER TEMPLATE.
 2. INSTALL MORTISE INTO THE PREPARED DOOR (SEE MORTISE INSTRUCTIONS FOR HANDING INSTRUCTIONS).
 3. INSTALL SPINDLES IN MORTISE. NOTE: SPRING FACES OUT, SEE ORIENTATION ON EXPLODED VIEW.
 4. SLIDE INSIDE PADDLE ASSEMBLY ONTO THE MORTISE WITH POSTS GOING THROUGH THE MORTISE THROUGH HOLES WITH THE SPINDLE ENGAGING THE CAM ON THE I/S ASSY.
 5. ON THE OUTSIDE- POSITION THE OUTSIDE MOUNTING PLATE AND PUT THE 2 PLATE MOUNTING SCREWS THROUGH HOLES ON THE OUTSIDE MOUNTING PLATE. ALIGN THE SCREWS WITH THE POSTS AND TIGHTEN.
 6. POSITION THE OUTSIDE PADDLE ASSEMBLY OVER THE OUTSIDE MOUNTING PLATE WITH THE SPINDLE ENGAGING THE CAM ON THE O/S PADDLE ASSEMBLY. USE THE 3 PADDLE ASSY MOUNTING SCREWS TO SECURE THE ASSEMBLY.
- NOTE: ONCE THE PADDLE ASSEMBLY IS SET ON BOTH SIDES- SLIDE THE PADDLE (DOWN) ON BOTH SIDES TO ENSURE THE MORTISE LATCH RETRACTS AND THERE IS NO BINDING. IF THE LATCH OR PADDLE BINDS REMOVE THE PADDLE ASSEMBLY FROM THE MOUNTING SCREW SIDE AND LOOSEN THE MOUNTING SCREWS AND ALIGN THE OUTSIDE MOUNTING PLATE AND THE INSIDE PADDLE ASSY WITH THE CENTER OF THE MORTISE HUBS AS MUCH AS POSSIBLE UNTIL NO BINDING OCCURS. TIGHTEN THE SCREWS AND RETRY.
7. OPTIONAL- INSTALL CYLINDER (COLLAR, WAVE WASHER, CYLINDER) AND SECURE WITH SET SCREW (UNDER MORTISE FACE PLATE). INSTALL THUMBTURN (SEE THUMBTURN INSTALLATION INSTRUCTIONS).
 8. CHECK LOCK FOR CORRECT OPERATION BEFORE CLOSING THE DOOR.

DRAFT UNLESS OTHERWISE SPECIFIED: 1° MAX	A	TOLERANCES UNLESS OTHERWISE SPECIFIED:	MATERIAL: N/A
		X.X (METRIC) = ±0.4 X.XX (METRIC) = ±0.15	HEAT TREAT: N/A
DRAWN BY: SC		FRACTIONS = ±.8 ANGLES = ±1/2° ◎ .12	FINISH: N/A
DATE: 3/4/20		MACHINED SURFACES 125/ ⊕ THIRD ANGLE	TITLE: MRXA HORIZONTAL MOUNTING INSTRUCTIONS
			PART#: MRXA MTG INSTR