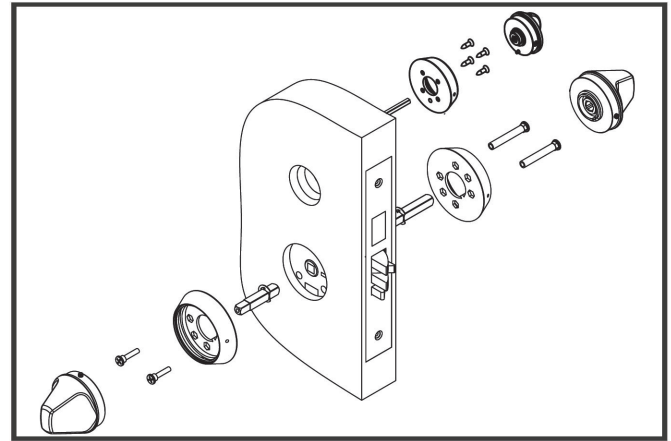


MRX-K

ANSI Grade 1 Mortise Lock with Ligature Resistant Trim-Knob



Specifications

- For facilities housing patients at risk
- For 1-3/4" door thickness, other upon request
- 2-3/4" backset
- Handed, field reversible
- 630 (US32D) finish
- Stainless steel rose (MRX-S-K), 2 3/4" in diameter
- Stainless steel escutcheon (MRX-E-K), 8" x 3-1/4" x 1/8"
- Stainless steel knob, ligature resistant
- Stainless steel turn piece
- Stainless steel faceplate, 1-1/4" x 8"
- Stainless steel strike, ASA, 1-1/4" x 4-7/8"
- Through-bolt mounting, tamper resistant mounting screws, for wood and metal door
- Brass cylinder with stainless steel cover, 6 pin, Schlage "C" keyway standard, 2 keys per cylinder
- Small Format IC available with or without core, 6 or 7 pin core
- Schlage Large Format IC available in less core
- Corbin Large Format IC available in less core, for 6 pin core, Sargent Large format IC
- High Security Cylinder available, TownSteel "L" keyway, 6 pin
- High Security Small Format IC Core available, TownSteel "L" keyway, 7 pin
- 10-year limited warranty

Code Compliance

- ANSI/BHMA: A156.13 Grade 1 Certified
- UL/ULC: UL 10C Listed 3 Hour Fire Rating
- BAA: Meets requirements of the Buy American Act



Important Note

It is TownSteel's position that if any of our keyed locks are to be used less cylinder, whether I.C. or standard, and another manufacturer's cylinder is to be used in place of the TownSteel original manufacturer's cylinder, that a sample of that product be provided to TownSteel in advance for testing.

How To Order

Trim	MRX-E-K Ligature Resistant Knob Mortise-Escutcheon Trim MRX-S-K Ligature Resistant Knob Mortise-Sectional Trim
Function	Please Refer to Function Sheet
Cylinder	SC / SFIC6 / SFIC7 / CLFIC6 / SLFIC / L6 / L7
Handing	LH / RH / LHR / RHR

