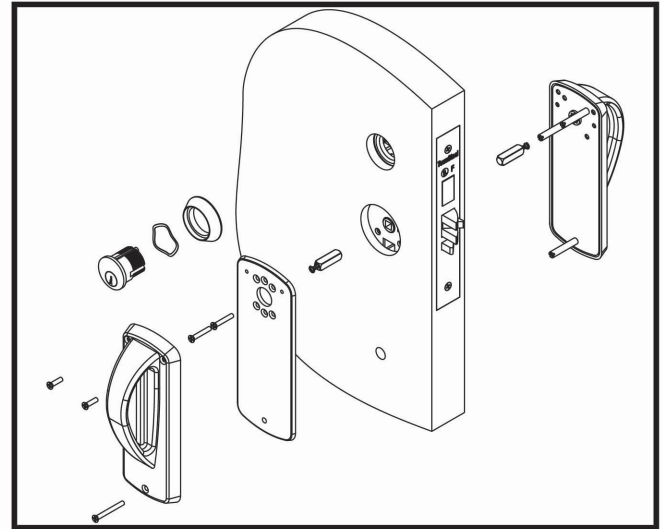


# MRX-A

## ANSI Grade 1 Mortise Lock with Ligature Resistant Trim-Arch



### Specifications

- For facilities housing patients at risk
- For 1-3/4" door thickness, other upon request
- 2-3/4" backset
- Handed
- 630 (US32D) finish
- Stainless steel under plate, 7-1/2" x 2-3/4" x 1/2"
- 5-point ligature resistant stainless steel arch lever
- Stainless steel turn piece, ligature resistant, ADA
- Stainless steel faceplate, 1-1/4" x 8"
- Stainless steel strike, ASA, 1-1/4" x 4-7/8"
- Through-bolt mounting, tamper resistant mounting screws, for wood and metal door
- Brass cylinder with stainless steel cover, 6 pin, Schlage "C" keyway standard, 2 keys per cylinder
- Small Format IC available with or without core, 6 or 7 pin core
- Schlage Large Format IC available in less core
- Corbin Large Format IC available in less core, for 6 pin core
- High Security Cylinder available, TownSteel "L" keyway, 6 pin
- High Security Small Format IC Core available, TownSteel "L" keyway, 7 pin
- 10-year limited warranty

### Code Compliance

- ANSI/BHMA: A156.13 Grade 1 Certified
- UL/ULC: UL 10C Listed 3 Hour Fire Rating
- BAA: Meets requirements of the Buy American Act
- ADA: Meets requirements of the Americans with Disabilities Act



### Important Note

It is TownSteel's position that if any of our keyed locks are to be used less cylinder, whether I.C. or standard, and another manufacturer's cylinder is to be used in place of the TownSteel original manufacturer's cylinder, that a sample of that product be provided to TownSteel in advance for testing.

### How To Order

|          |   |
|----------|---|
| Trim     | MRX-A Ligature Resistant Mortise Arch Trim    |
| Function | Please Refer to Function Sheet                |
| Cylinder | SC / SFIC6 / SFIC7 / CLFIC6 / SLFIC / L6 / L7 |
| Handing  | LH / RH / LHR / RHR                           |

