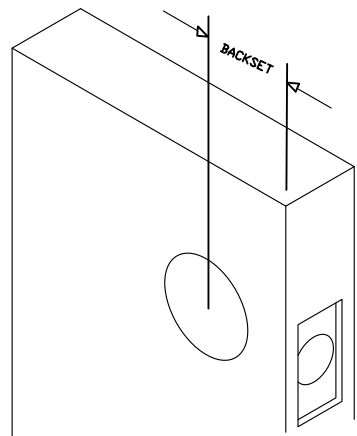
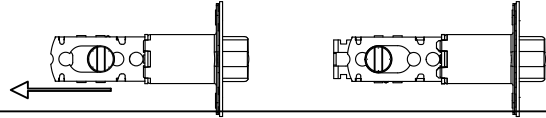


STEP 1 PREPARE DOOR AND JAMB PER TEMPLATE PROVIDED. BACKSET IS ADJUSTABLE FOR 2 3/4" OR 2 3/8". BACKSET IS THE DIMENSION FROM THE FACE OF THE DOOR TO THE CENTERLINE OF THE LOCK.

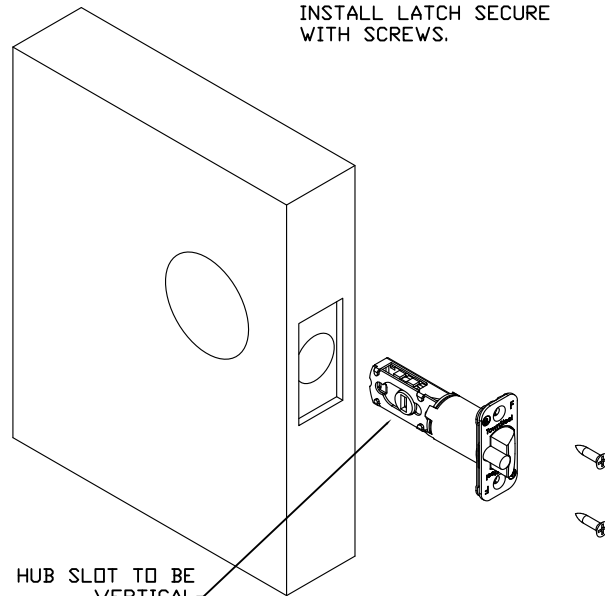


IN ORDER TO ADJUST THE LATCH FROM 2 3/8" TO 2 3/4" PULL THE HUB TO THE LEFT. PUSH TO THE RIGHT TO GO BACK TO 2 3/8".



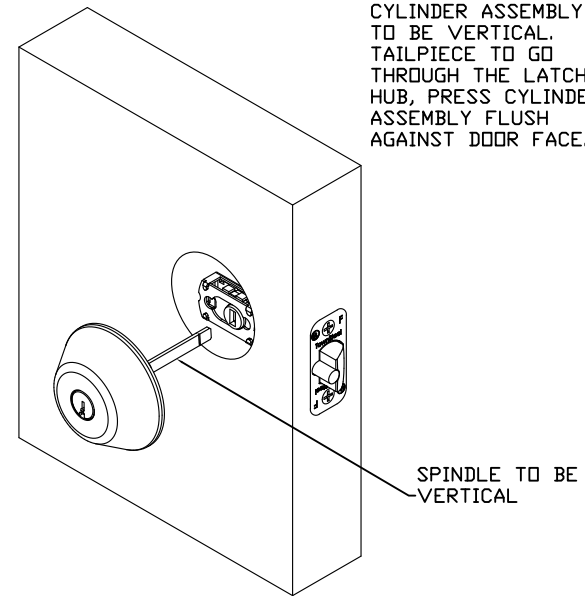
STEP 2

INSTALL LATCH SECURE WITH SCREWS.



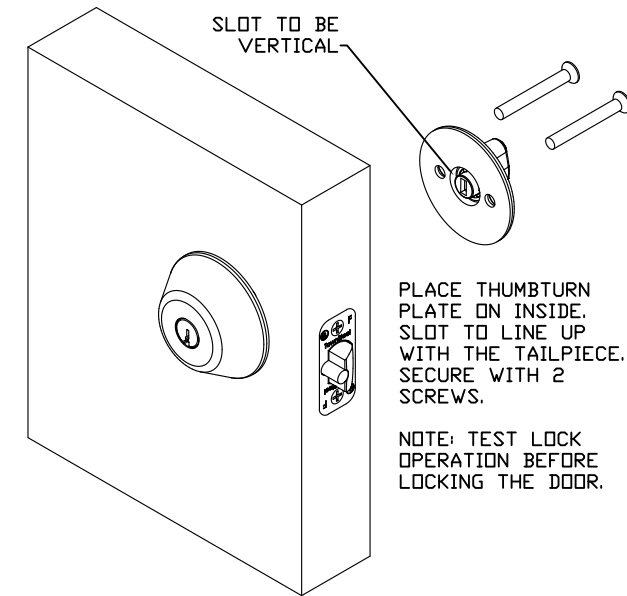
STEP 3

TAILPIECE ON THE CYLINDER ASSEMBLY TO BE VERTICAL. TAILPIECE TO GO THROUGH THE LATCH HUB, PRESS CYLINDER ASSEMBLY FLUSH AGAINST DOOR FACE.

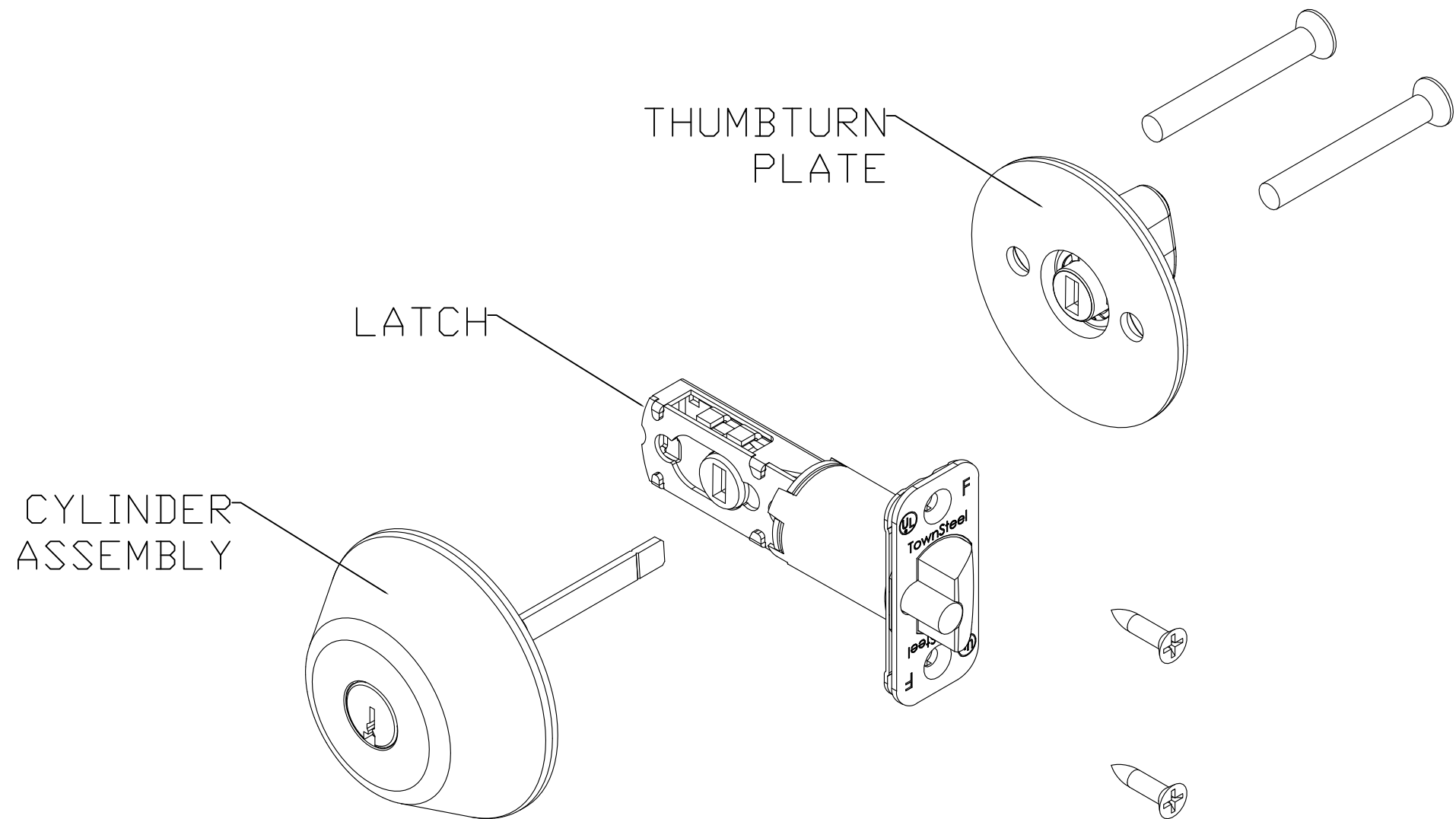


STEP 4

SLOT TO BE VERTICAL



NOTE: TEST LOCK OPERATION BEFORE LOCKING THE DOOR.



DRAWN BY: SC	TITLE: LID INSTALLATION ASSY INSTRUCTIONS
DATE: 5/25/18	PART#: LID INSTALLATION