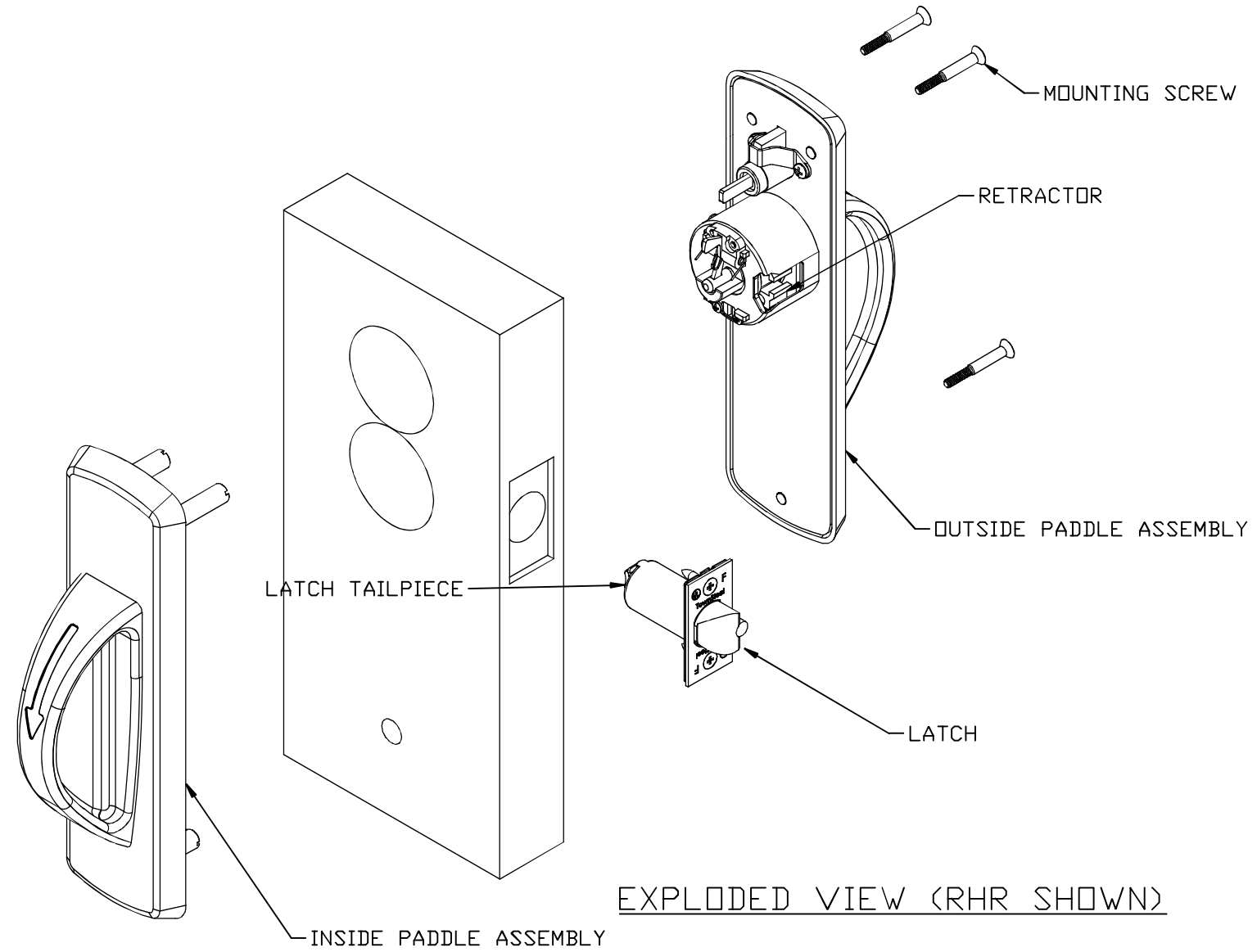
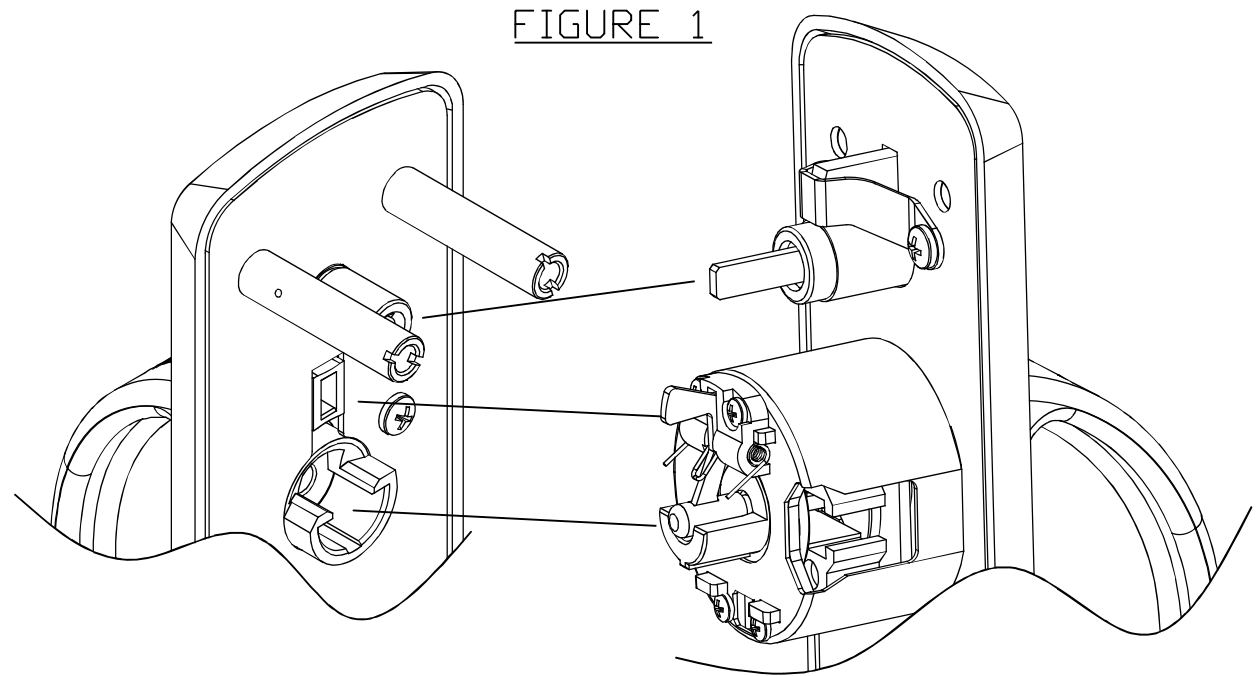


FIGURE 1



EXPLODED VIEW (RHR SHOWN)

CRXA INSTALLATION GUIDE (F84)

1. PREPARE DOOR CUTOUT PER TEMPLATE.
  2. INSTALL LATCH.
  3. INSTALL OUTSIDE PADDLE ASSEMBLY ONTO THE DOOR- ENSURE THE RETRACTOR AND LATCH TAILPIECE ENGAGE PROPERLY.
  4. SLIDE INSIDE PADDLE ASSEMBLY ONTO THE DOOR. THE PARTS SHOULD BE ALIGNED AS SHOWN IN FIGURE 1 & EXPLODED VIEW.
  5. USE THE 3 MOUNTING SCREWS TO SECURE THE ASSEMBLY.
- NOTE: ONCE THE PADDLE ASSEMBLIES ARE SET ON BOTH SIDES- SLIDE THE PADDLE (DOWN) ON BOTH SIDES TO ENSURE THE LATCH RETRACTS AND THERE IS NO BINDING. IF THE LATCH OR PADDLE BINDS LOOSEN THE MOUNTING SCREWS AND ALIGN THE OUTSIDE & INSIDE PADDLE ASSEMBLIES UNTIL NO BINDING OCCURS. TIGHTEN THE SCREWS AND RETRY.
6. CHECK LOCK FOR CORRECT OPERATION BEFORE CLOSING THE DOOR.

DRAFT UNLESS OTHERWISE SPECIFIED: 1° MAX	A	TOLERANCES UNLESS OTHERWISE SPECIFIED:	MATERIAL: N/A
		X.X (METRIC) = ±0.4	HEAT TREAT: N/A
DRAWN BY: SC		X.XX (METRIC) = ±0.15	FINISH: N/A
DATE: 5/7/15		FRACTIONS = ±.8	TITLE: CRXA, PRIVACY (F84), MOUNTING INSTRUCTIONS
		ANGLES = ±1/2°	PART#: CRXA MTG INSTR 84
		© .12	
		MACHINED SURFACES 125/	
		THIRD ANGLE	