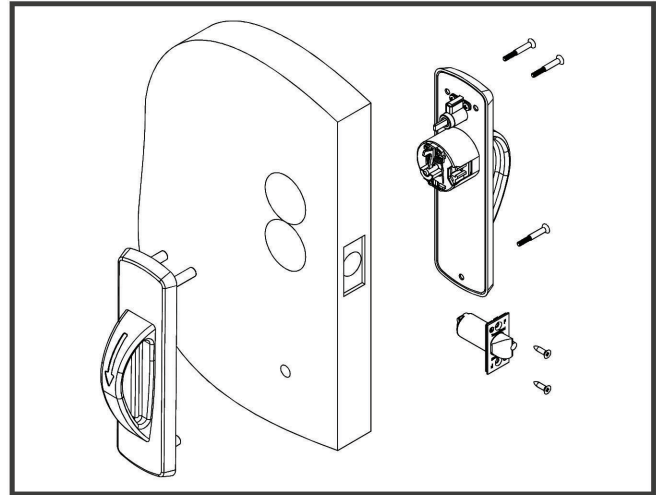


CRX-A

ANSI Grade 1 Cylindrical Lock with Ligature Resistant Trim-Arch



Specifications

- For facilities housing patients at risk
- ANSI Grade 1 heavy duty cylindrical with 5-point ligature resistant arch trim
- Backset 2-3/4" standard, 2 3/8", 5" optional
- Door thickness: 1-3/4", other upon request
- 630 (US32D) finish
- Stainless steel arch trim, 2-5/8" projection
- Stainless steel plate, 9-5/8" x 2-13/16"
- Stainless steel deadlocking latch bolt, 1/2" throw
- Stainless steel ASA strike standard
- Tamper resistant mounting screws
- Handed
- Schlage "C" keyway, brass 6 pin cylinder standard
- Best® Small Format I.C. available, 6 or 7 pin, with or without core
- Corbin, Schlage, Yale, Sargent Large Format I.C. available less core
- High security cylinder available, TownSteel "L" keyway, 6 pin
- KD standard, KA, MK, GMK, GGMK and construction keying available
- Available functions: F-75, 76, 81, 84, 86, Single Dummy(F-41), Pair Dummy(F-72)
- Door Prep: 161 plus 2-1/8" cylinder hole and 1/2" bottom post hole
- 10-year limited warranty

Code Compliance

- ANSI/BHMA: A156.2 Grade 1 Certified
- UL/ULC: UL 10C Listed 3 Hour Fire Rating
- BAA: Meets requirements of the Buy American Act
- ADA: Meets requirements of the Americans with Disabilities Act



Important Note

It is TownSteel's position that if any of our keyed locks are to be used less cylinder, whether I.C. or standard, and another manufacturer's cylinder is to be used in place of the TownSteel original manufacturer's cylinder, that a sample of that product be provided to TownSteel in advance for testing.

How To Order

Trim	CRX-A Ligature Resistant Arch Grade 1 Cylindrical Lock
Function	Please refer to Function sheet
Cylinder	SC / SFIC6 / SFIC7 / CLFIC6 / SLFIC / L6
Handing	LH / RH / LHR / RHR

