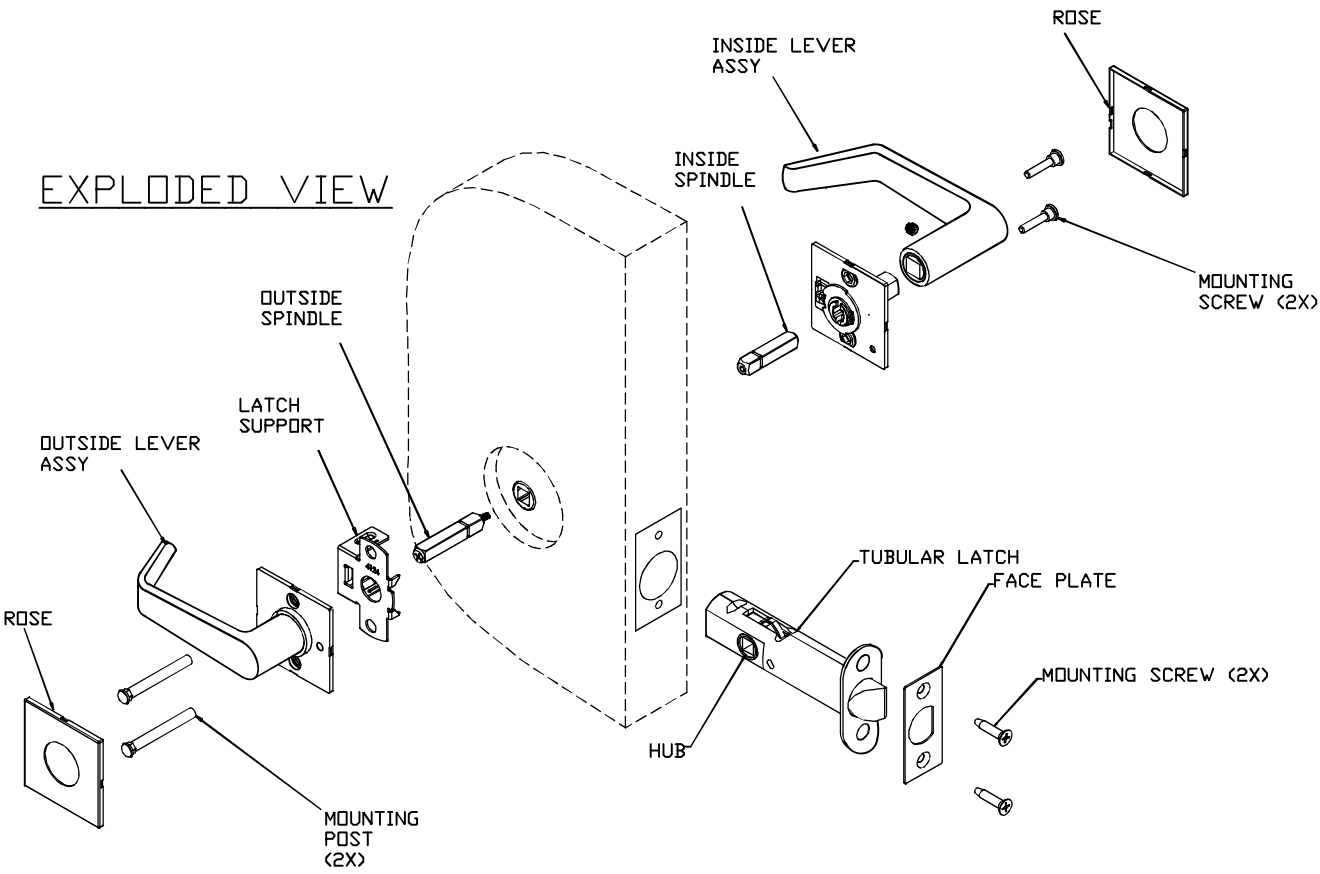


EXPLODED VIEW



TUBULAR LATCH INSTALLATION GUIDE

1. PREPARE DOOR CUTOUT PER TEMPLATE.
2. INSTALL TUBULAR LATCH AND FACE PLATE INTO THE PREPARED DOOR.
3. INSTALL SPINDLES IN THE TUBULAR LATCH HUB PER EXPLODED VIEW, HAND TIGHTEN ONLY.
4. INSTALL LATCH SUPPORT- PRESS ONTO THE TUBULAR LATCH.
5. INSTALL O/S LEVER ASSY, INSTALL 2 MOUNTING POSTS THESE MAY BE INSTALLED ALREADY BY THE FACTORY WITH THE ROSE ON.
6. INSTALL THE I/S LEVER ASSY. USE THE 2 MOUNTING SCREWS TO FASTEN.
7. PRESS THE ROSE ON THE I/S LEVER ASSY. NOTE: ON SOME LEVER DESIGNS THE ROSE WILL NOT FIT OVER THE LEVER. ON THESE THERE IS A SMALL SET SCREW ON THE LEVER SHANK. LOOSEN THE SET SCREW TO REMOVE THE LEVER AND PRESS THE ROSE ON. PLACE THE LEVER BACK ON THE SHANK AND TIGHTEN THE SET SCREW.
8. CHECK LOCK FOR CORRECT OPERATION BEFORE CLOSING OR LOCKING THE DOOR.

<p style="font-size: 24pt; font-weight: bold;">TownSteel</p> <p>17901 RAILROAD STREET CITY OF INDUSTRY, CA 91748</p>	DRAFT UNLESS OTHERWISE SPECIFIED: 1" MAX	A	TOLERANCES UNLESS OTHERWISE SPECIFIED: XX (METRIC) = ±0.4 XXX (METRIC) = ±0.15 FRACTIONS = ±.8 ANGLES = ±1/2° ● .12 MACHINED SURFACES 12/32	MATERIAL: NOTED HEAT TREAT: N/A
	DRAWN BY: SC		FINISH: PER ORDER	TITLE: TUBULAR LATCH ASSEMBLY INSTRUCTIONS
	DATE: 2-23-15		THIRD ANGLE	PART#: TUBULAR LATCH

THIS DRAWING AND THE INFORMATION CONTAINED THEREON OR DERIVED THEREFROM ARE THE CONFIDENTIAL PROPERTY OF TOWNSTEEL, INC. IT IS NOT TO BE REPRODUCED, OR DISCLOSED TO OTHERS, AND MAY BE USED ONLY FOR THE PURPOSE OF ENABLING THE PARTY TO WHOM IT HAS BEEN LOANED TO QUOTE OR FILL AN ORDER FOR TOWNSTEEL, INC., OR AS MAY BE OTHERWISE AUTHORIZED BY TOWNSTEEL, INC. IN WRITING.