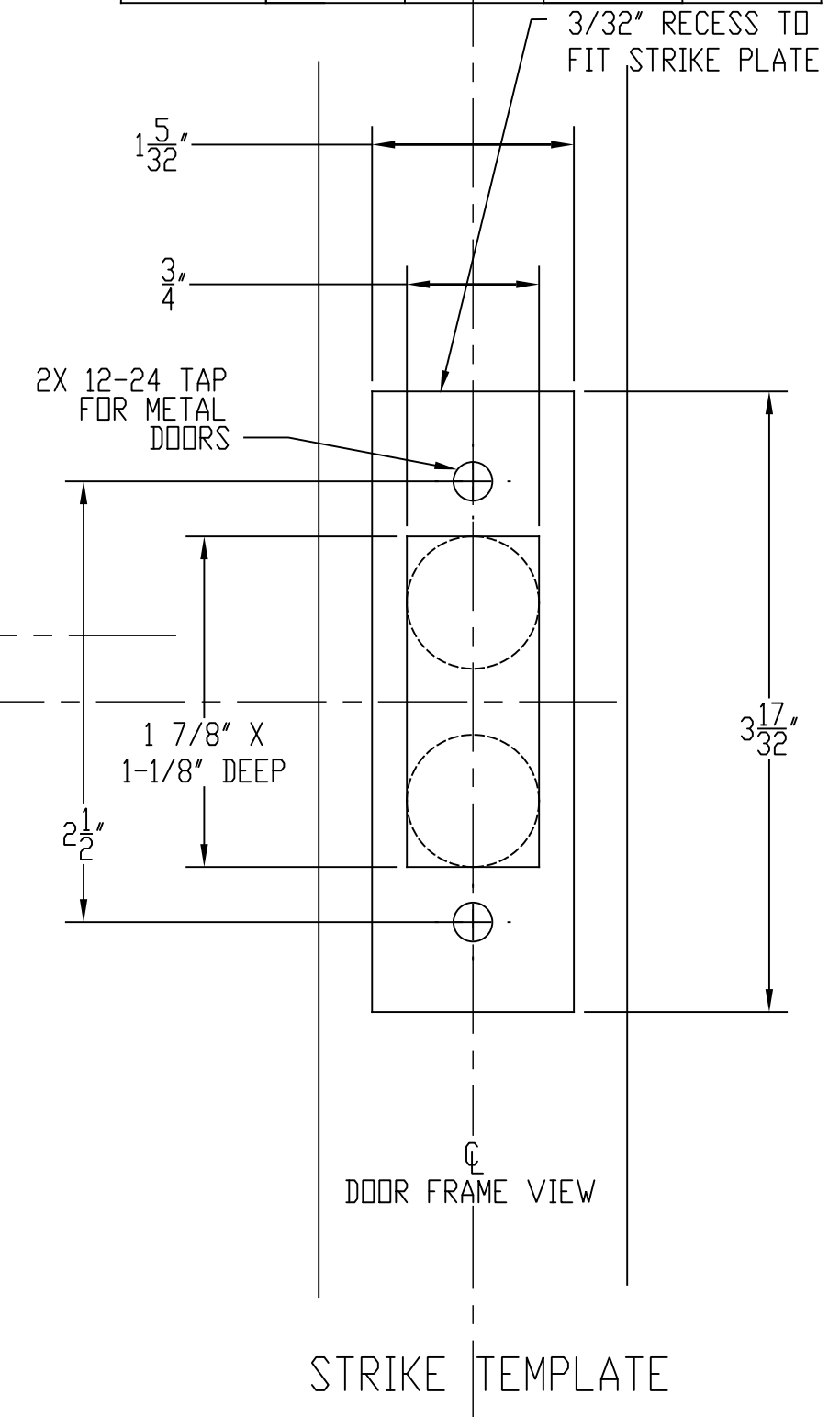
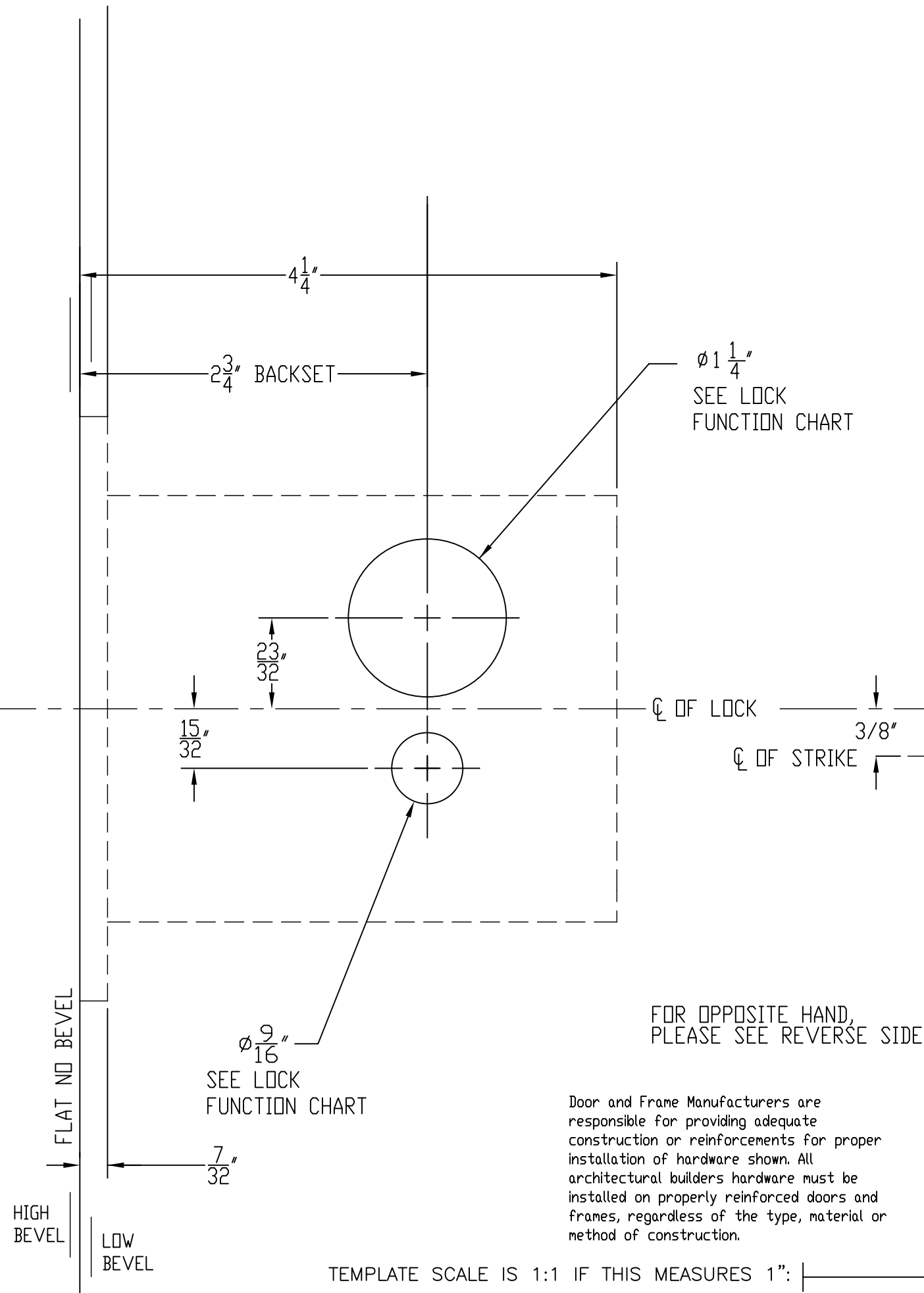
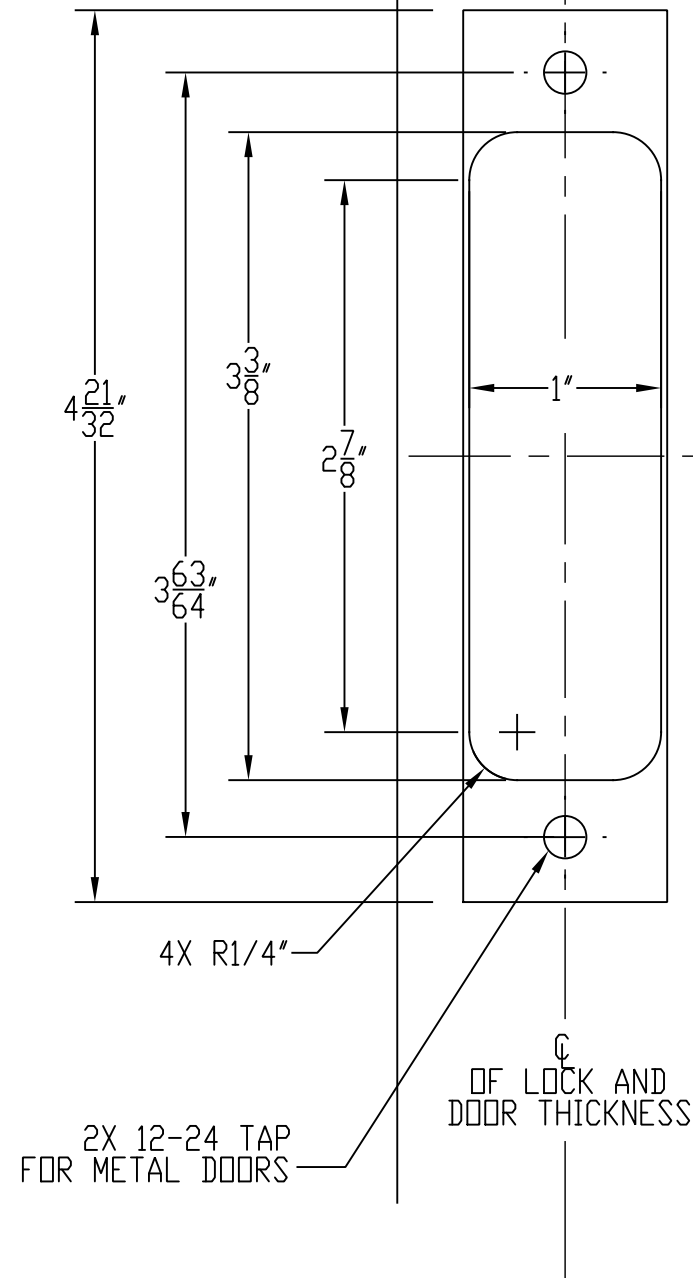


BDD DOOR TEMPLATE

LOCK FUNCTION CHART

LOCK FUNCTION	OUTSIDE		INSIDE	
	Cylinder Hole	Thumb Turn Hole	Cylinder Hole	Thumb Turn Hole
15	•			•
16	•		•	
17	•			•
18	•			
19		•		•
29				•

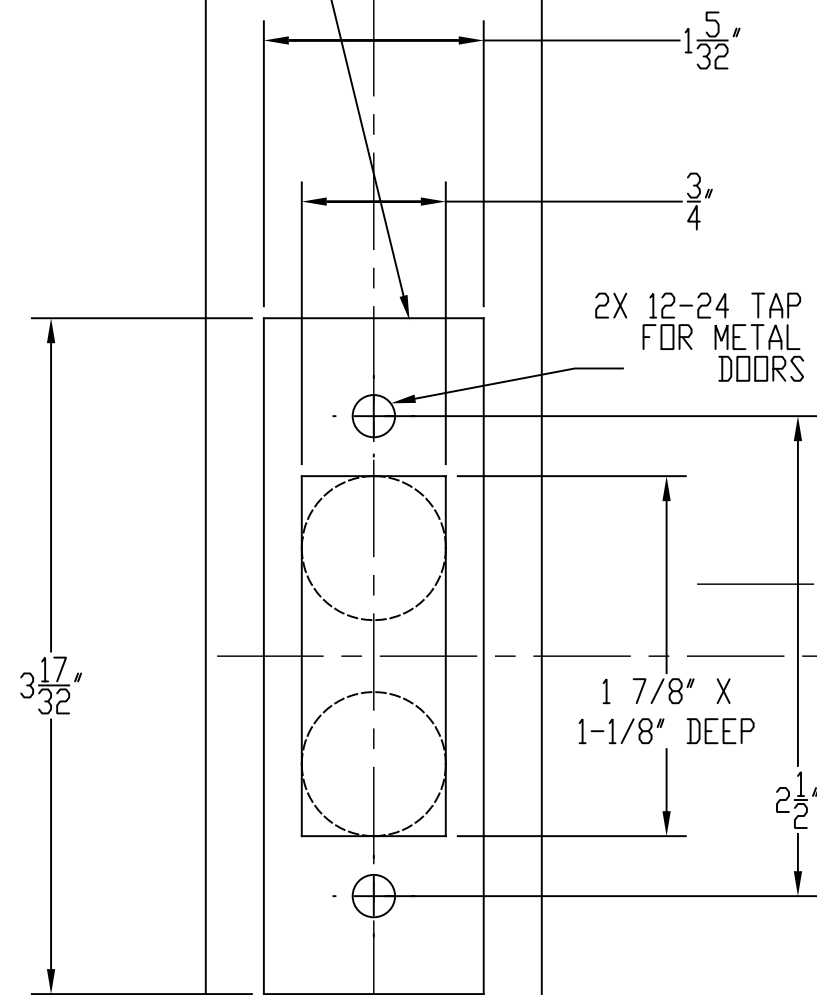


LOCK FUNCTION CHART

LOCK FUNCTION	OUTSIDE		INSIDE	
	Cylinder Hole	Thumb Turn Hole	Cylinder Hole	Thumb Turn Hole
15	•			•
16	•		•	•
17	•			•
18	•			•
19		•		•
29				•

BDD DOOR TEMPLATE

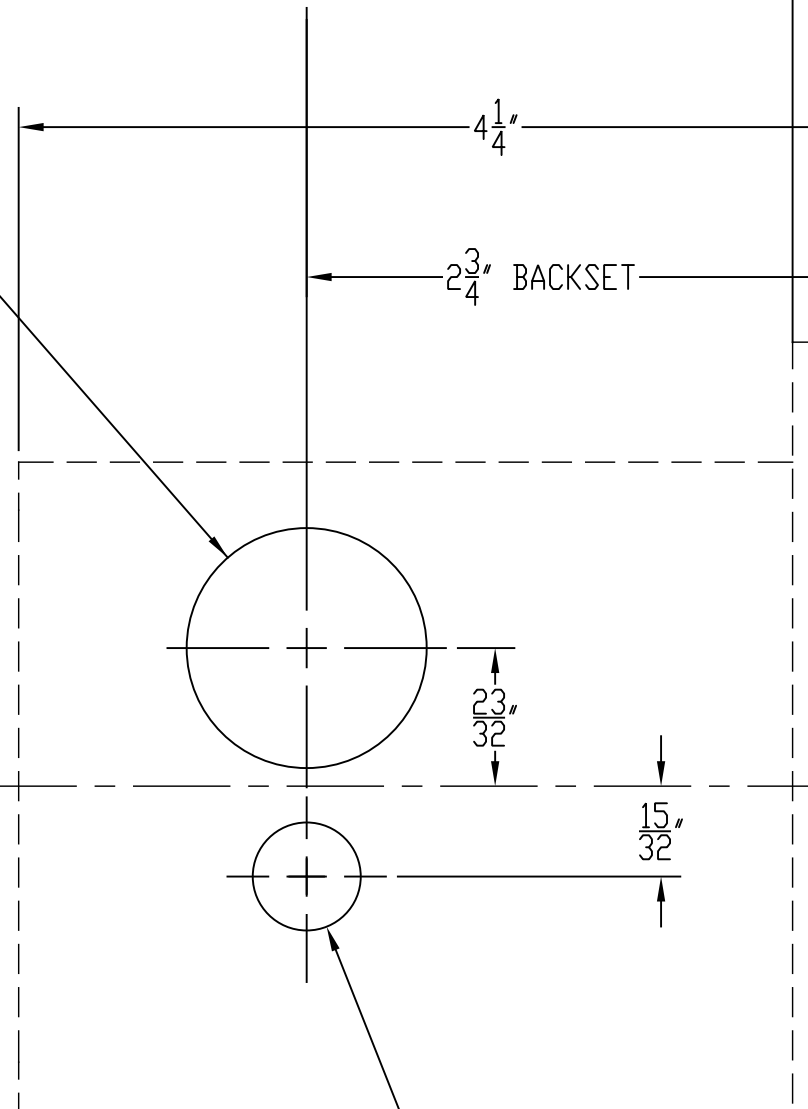
3/32" RECESS TO FIT STRIKE PLATE



DOOR FRAME VIEW

STRIKE TEMPLATE

∅ 1 1/4"
SEE LOCK FUNCTION CHART



FOR OPPOSITE HAND, PLEASE SEE REVERSE SIDE

Door and Frame Manufacturers are responsible for providing adequate construction or reinforcements for proper installation of hardware shown. All architectural builders hardware must be installed on properly reinforced doors and frames, regardless of the type, material or method of construction.

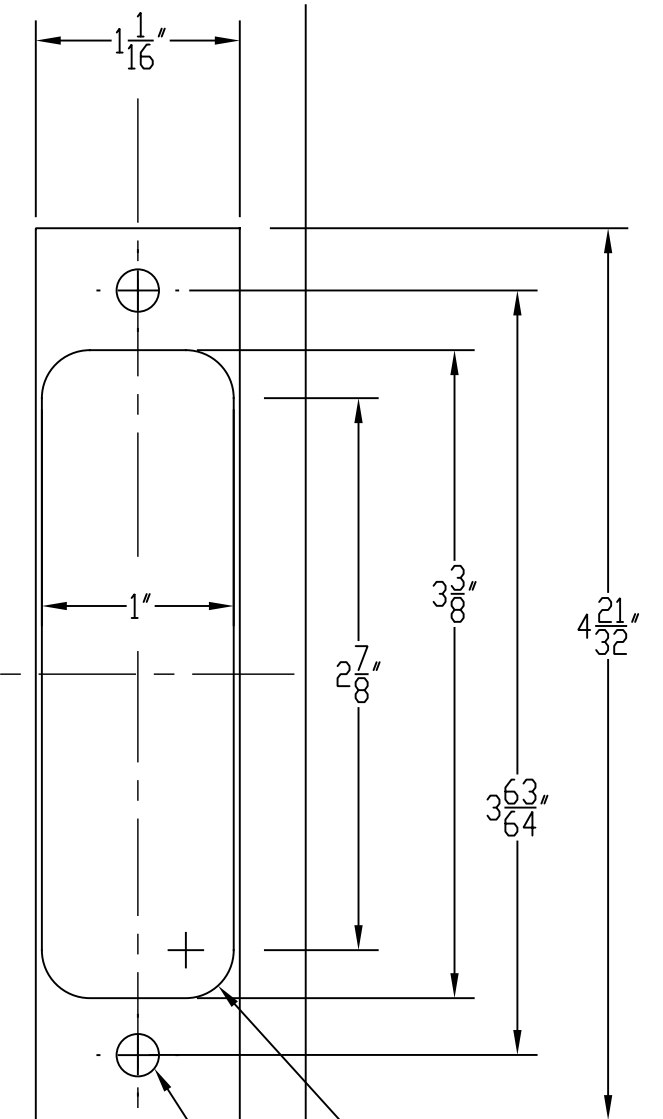
∅ 9/16"
SEE LOCK FUNCTION CHART

7/32"

LOW BEVEL

FLAT NO BEVEL

HIGH BEVEL



OF LOCK AND DOOR THICKNESS

2X 12-24 TAP FOR METAL DOORS

TEMPLATE SCALE IS 1:1 IF THIS MEASURES 1":