

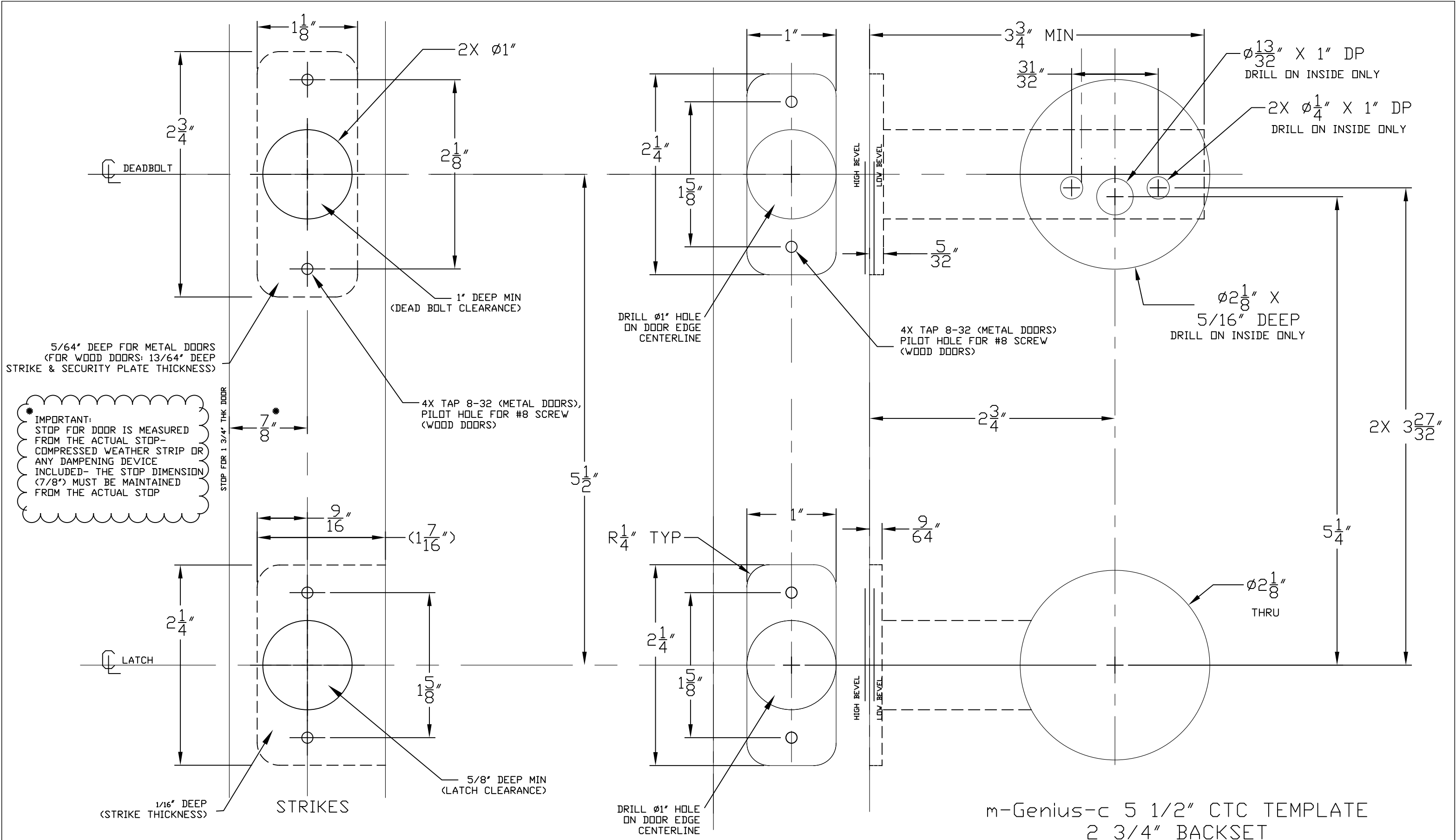
m-Genius-c 5 1/2" CTC TEMPLATE
 2 3/4" BACKSET

IMPORTANT (for door face trim only):
 For high bevel place outside
 line at edge of door. For flat
 doors place centerline at edge
 of door. For low bevel place
 inside line at edge of door.

TEMPLATE SCALE IS 1:1 IF THIS MEASURES 1":

IMPORTANT:
 STOP FOR DOOR IS MEASURED
 FROM THE ACTUAL STOP-
 COMPRESSED WEATHER STRIP OR
 ANY DAMPENING DEVICE
 INCLUDED- THE STOP DIMENSION
 (7/8") MUST BE MAINTAINED
 FROM THE ACTUAL STOP

RESPONSIBILITY: Door and frame manufacturers
 are responsible for providing adequate construction or
 reinforcements for proper installation of hardware.



5/64" DEEP FOR METAL DOORS
(FOR WOOD DOORS: 13/64" DEEP
STRIKE & SECURITY PLATE THICKNESS)

IMPORTANT:
STOP FOR DOOR IS MEASURED
FROM THE ACTUAL STOP-
COMPRESSED WEATHER STRIP OR
ANY DAMPENING DEVICE
INCLUDED- THE STOP DIMENSION
(7/8") MUST BE MAINTAINED
FROM THE ACTUAL STOP

1" DEEP MIN
(DEAD BOLT CLEARANCE)

4X TAP 8-32 (METAL DOORS),
PILOT HOLE FOR #8 SCREW
(WOOD DOORS)

5/8" DEEP MIN
(LATCH CLEARANCE)

DRILL Ø1" HOLE
ON DOOR EDGE
CENTERLINE

4X TAP 8-32 (METAL DOORS)
PILOT HOLE FOR #8 SCREW
(WOOD DOORS)

DRILL Ø1" HOLE
ON DOOR EDGE
CENTERLINE

Ø13/32" X 1" DP
DRILL ON INSIDE ONLY

2X Ø1/4" X 1" DP
DRILL ON INSIDE ONLY

Ø2 1/8" X
5/16" DEEP
DRILL ON INSIDE ONLY

Ø2 1/8"
THRU

m-Genius-c 5 1/2" CTC TEMPLATE
2 3/4" BACKSET

RESPONSIBILITY: Door and frame manufacturers
are responsible for providing adequate construction or
reinforcements for proper installation of hardware.

IMPORTANT (for door face trim only):
For high bevel place outside
line at edge of door. For flat
doors place centerline at edge
of door. For low bevel place
inside line at edge of door.

TEMPLATE SCALE IS 1:1 IF THIS MEASURES 1":