

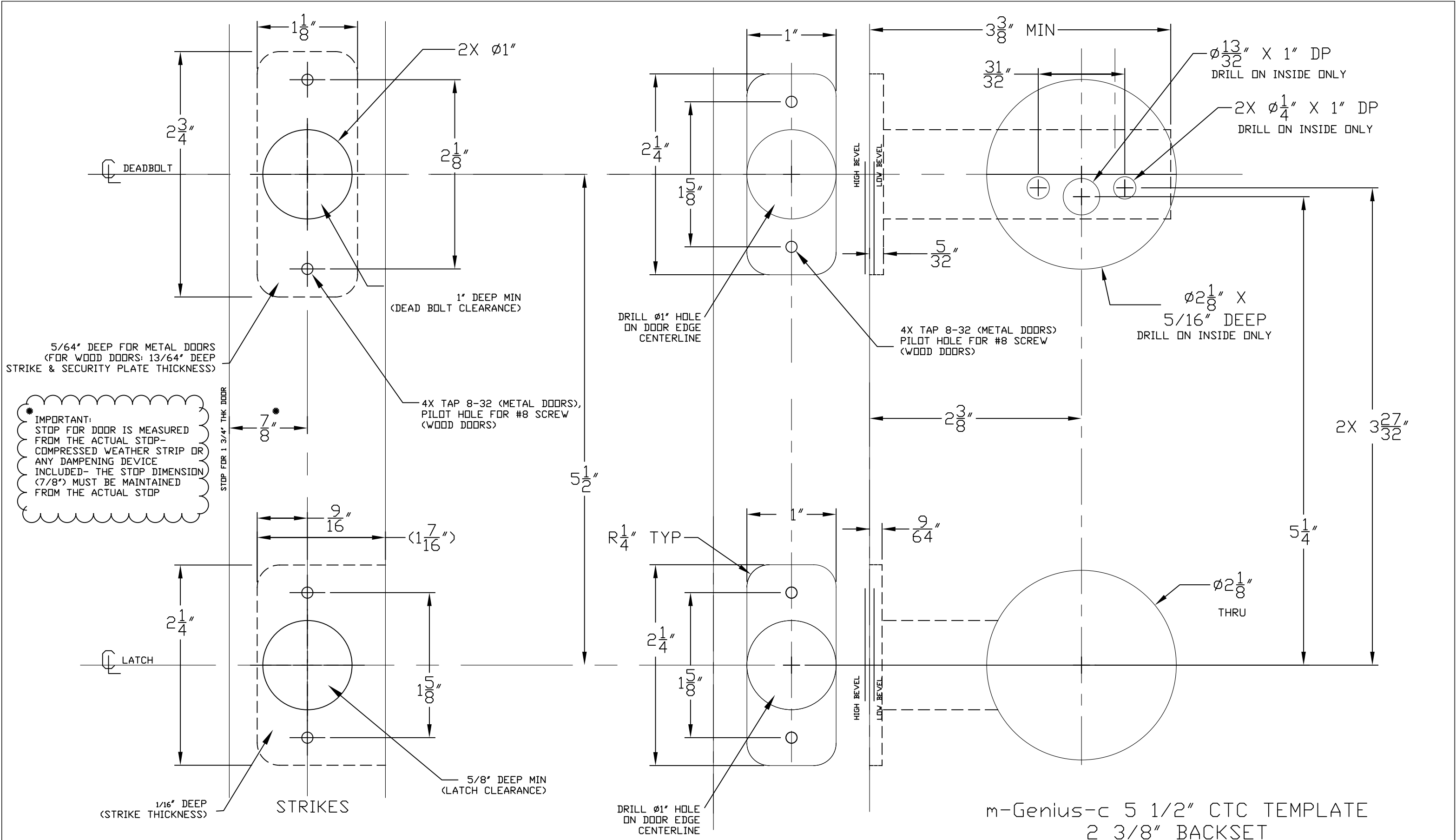
\* IMPORTANT:  
 STOP FOR DOOR IS MEASURED  
 FROM THE ACTUAL STOP-  
 COMPRESSED WEATHER STRIP OR  
 ANY DAMPENING DEVICE  
 INCLUDED- THE STOP DIMENSION  
 (7/8") MUST BE MAINTAINED  
 FROM THE ACTUAL STOP

m-Genius-c 5 1/2" CTC TEMPLATE  
 2 3/8" BACKSET

IMPORTANT (for door face trim only):  
 For high bevel place outside  
 line at edge of door. For flat  
 doors place centerline at edge  
 of door. For low bevel place  
 inside line at edge of door.

TEMPLATE SCALE IS 1:1 IF THIS MEASURES 1":

RESPONSIBILITY: Door and frame manufacturers  
 are responsible for providing adequate construction or  
 reinforcements for proper installation of hardware.



**IMPORTANT:**  
STOP FOR DOOR IS MEASURED FROM THE ACTUAL STOP-COMPRESSED WEATHER STRIP OR ANY DAMPENING DEVICE INCLUDED- THE STOP DIMENSION (7/8") MUST BE MAINTAINED FROM THE ACTUAL STOP

**RESPONSIBILITY:** Door and frame manufacturers are responsible for providing adequate construction or reinforcements for proper installation of hardware.

**IMPORTANT (for door face trim only):**  
For high bevel place outside line at edge of door. For flat doors place centerline at edge of door. For low bevel place inside line at edge of door.

TEMPLATE SCALE IS 1:1 IF THIS MEASURES 1":