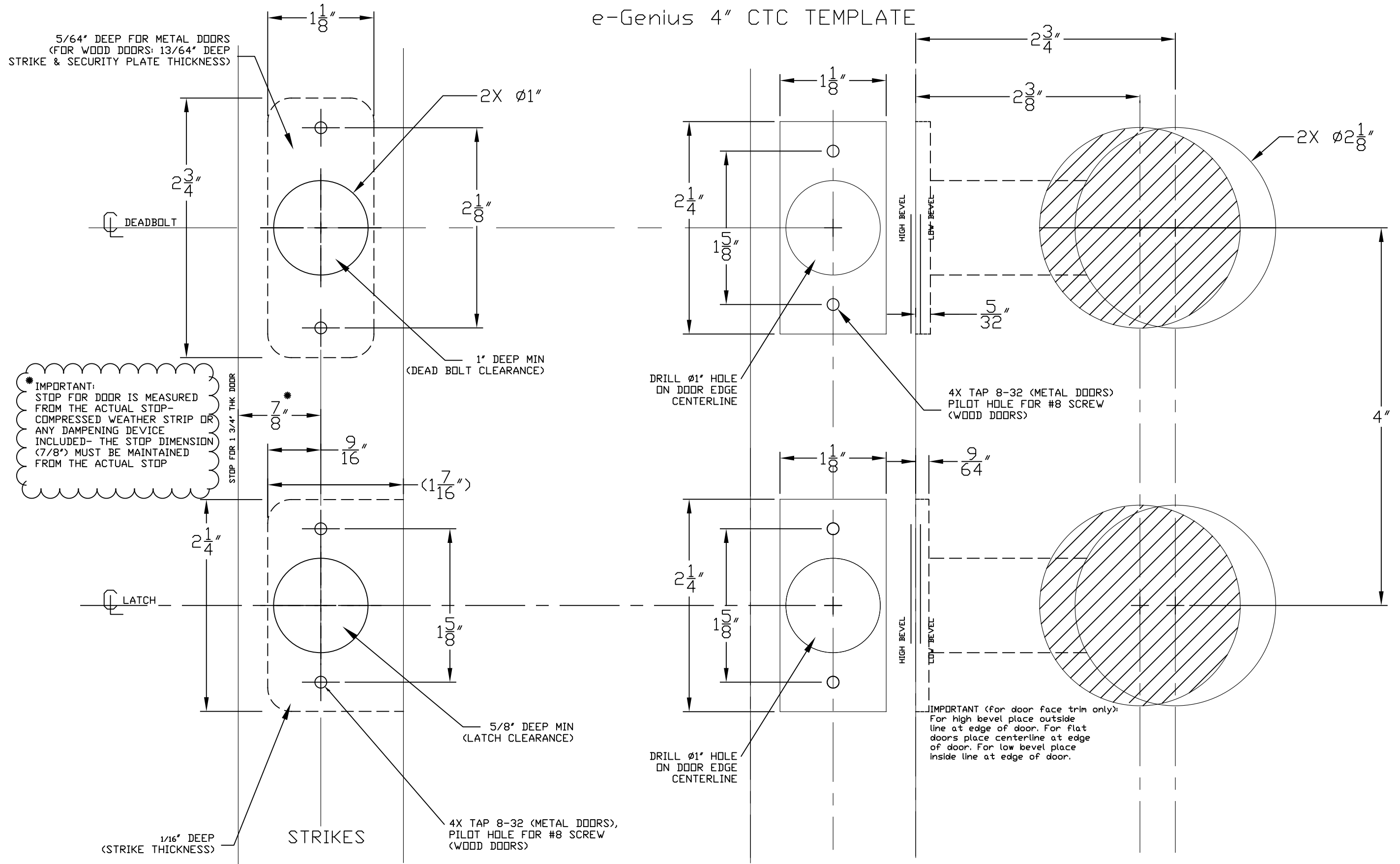


# e-Genius 4" CTC TEMPLATE



**\* IMPORTANT:**  
STOP FOR DOOR IS MEASURED  
FROM THE ACTUAL STOP-  
COMPRESSED WEATHER STRIP OR  
ANY DAMPENING DEVICE  
INCLUDED- THE STOP DIMENSION  
(7/8") MUST BE MAINTAINED  
FROM THE ACTUAL STOP

**RESPONSIBILITY:** Door and frame manufacturers  
are responsible for providing adequate construction or  
reinforcements for proper installation of hardware.

TEMPLATE SCALE IS 1:1 IF THIS MEASURES 1":

