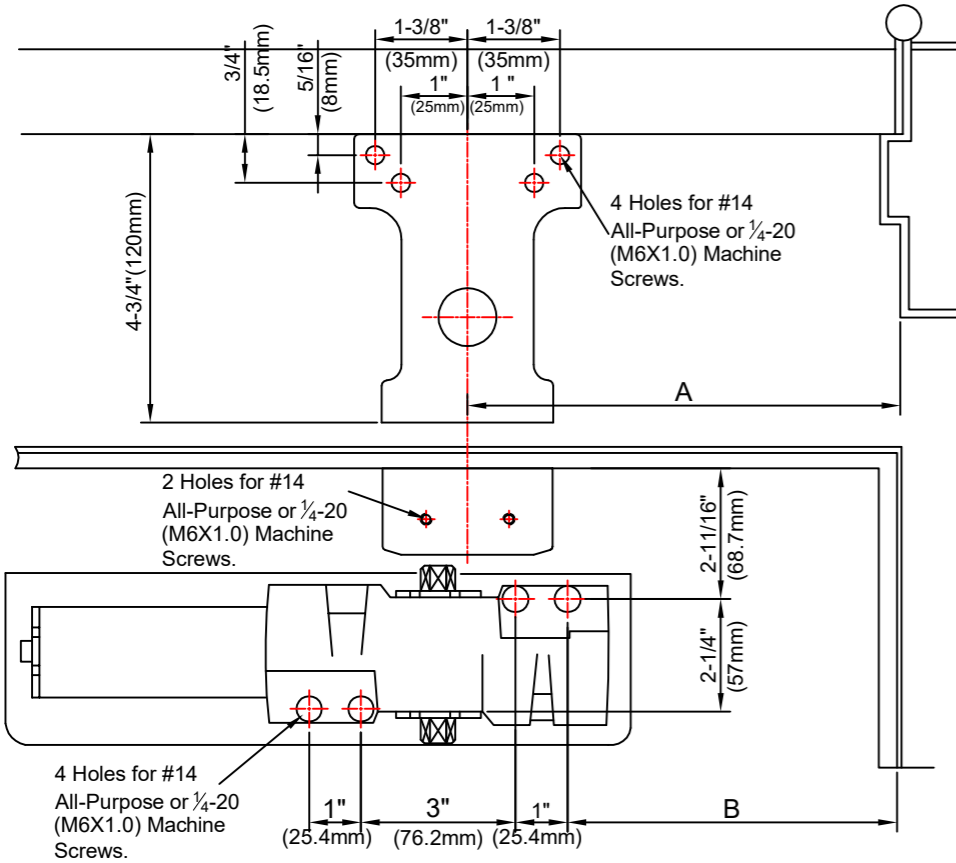


PARALLEL ARM INSTALLATION CLOSER MOUNTED ON DOOR ON PUSH SIDE

TDC 40 SERIES DOOR CLOSER WITH FRICTION HOLD OPEN ARM INSTALLATION & INSTRUCTIONS

This drawing shown is RIGHT HAND DOOR, For LEFT HAND DOOR should be install in symmetry

FOR HOLD OPEN TYPE ONLY

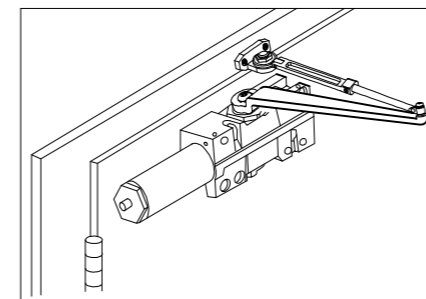


INSATLLATION DIMENSIONS

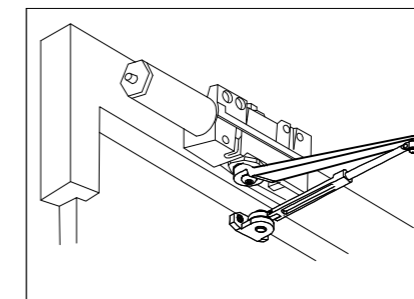
OPENNING	"A"	"B"
TO 100	9-7/16" (240)	8-1/4" (210)
TO 120	8 5/8" (220)	7 5/16" (185)
OVER 140	7 7/8" (200)	6- 1/2" (165)

inches(mm)

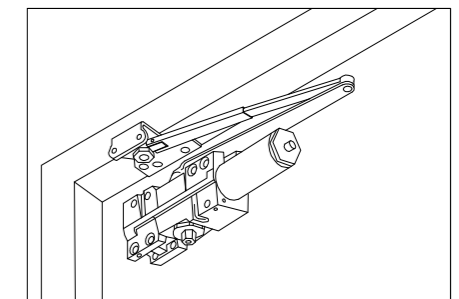
STANDARD MOUNT
(PULL SIDE)



TOP JAMB MOUNT
(PUSH SIDE)

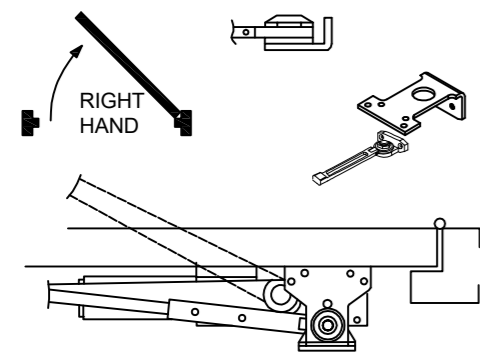
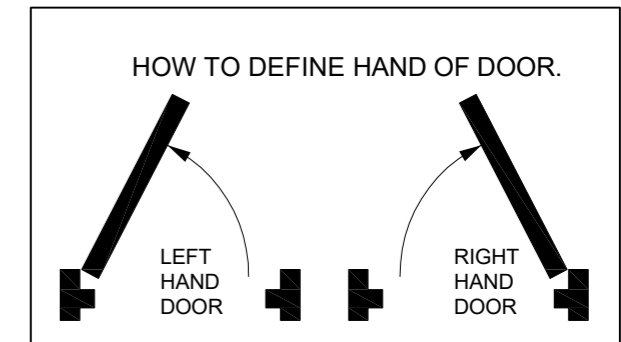


PARALLEL MOUNT
(PUSH SIDE)



inches(mm)

MAXIMUM DOOR WIDTH		FULL TURNS REQUIRED
EXTERIOR DOORS	INTERIOR DOORS	
	5 lb-f*	5 TURNS C.C.W.
8.5lb-f*	34"(864)	2 TURNS C.C.W.
30"(762)	38"(962)	0 TURNS
36"(914)	48"(1219)	5 TURNS C.W.
42"(1067)	54"(1372)	10TURNS C.W.
48"(1219)	60"(1524)	15 TURNS C.W.



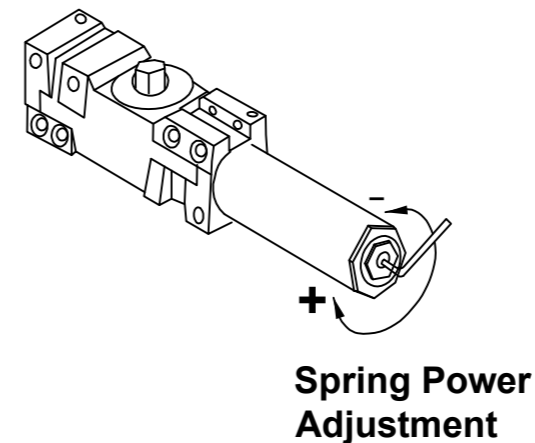
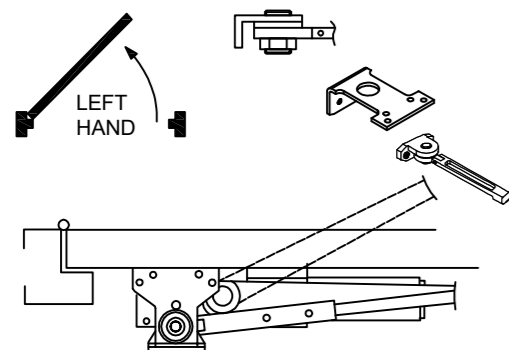
1. Before installation, turn Back selector valve (Found on the opposite side of closer from back check screw side) ALL THE WAY IN (CLOCKWISE).
2. Adjust spring power to match door width as indicated by chart on page 1.
3. Mount closer on door as dimensions shown. Tube end toward latch. If pivots are used, locate closer and parallel bracket from CENTERLINE OF PIVOT.
4. Place open end wrench on bottom shaft and turn toward hinge jamb about 30° and then place main arm on top shaft, insert arm screw into top of shaft and tighten.
5. Attach parallel bracket on frame as dimensions shown.
6. Attach rod and shoe to parallel bracket as shown.
7. Insert rod in forearm, and then insert main arm to closer parallel to door. Then insert forearm set screw and tighten.
(IF HOLD OPEN ARM IS USED, THE NUT IS ON THE TOP FOR RH DOOR AND BOTTOM FOR LH DOOR)

REGULATION:
A 'normal' closing time from 90° open position to door stop position is 4-6 secs, evenly divided between main swing speed and latch swing speed. Use socket key (Furnished) to adjust speed. To slow main speed of door, turn regulating screw nearest shaft clockwise. To slow latch speed, turn regulating screw nearest hinge clockwise.

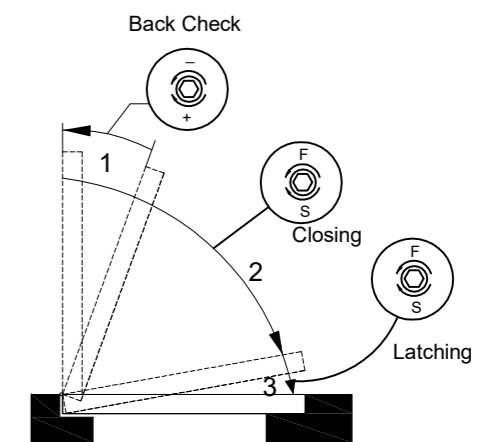
BACK CHECK
To increase back-check force, turn regulating screw nearest hinge clockwise.
DO NOT USE ABRUPT BACK CHECK OR EXPECT DOOR CLOSER TO ACT AS A DOOR STOP.

COVER
Place insert in Proper cutout, then push cover on the door closer body. Tighten both cover screw securely.

HOLD OPEN ADJUSTMENT (WHEN HOLD OPEN ARM IS USED)
Loose adjusting nut, open door to designed hold open position and tighten nut.
Do not permit door to swing beyond hold open setting.

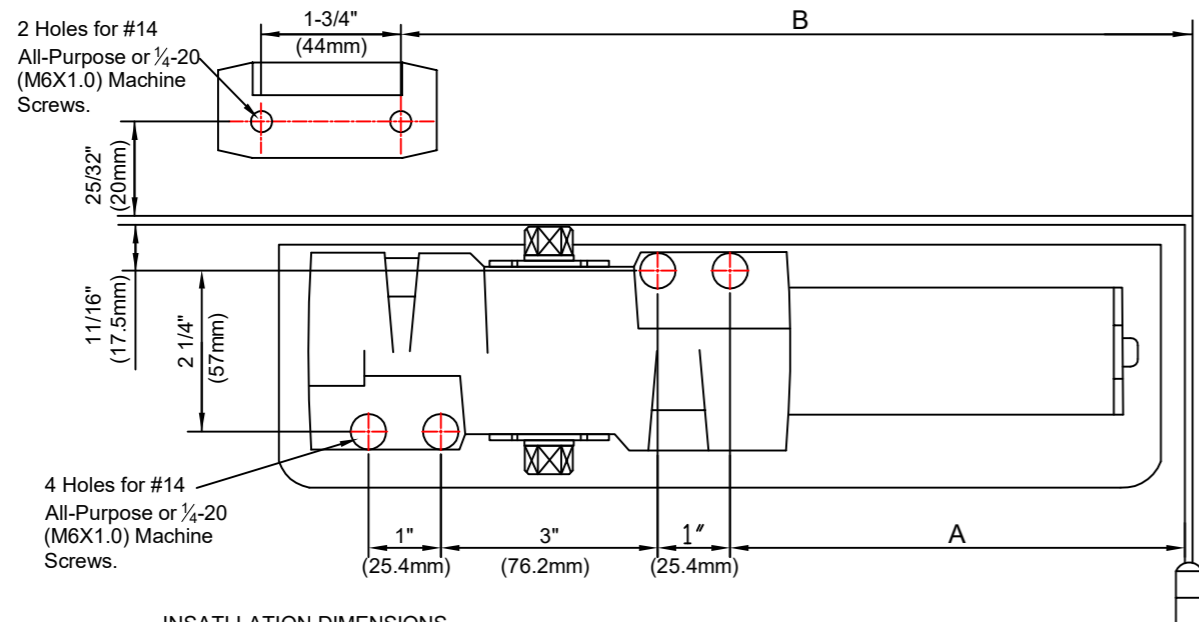


CONTROL RANGE



STANDARD INSTALLATION CLOSER MOUNTED ON DOOR ON PULL SIDE

This drawing shown is LEFT HAND DOOR. For RIGHT HAND DOOR should be install in symmetry



INSATLLATION DIMENSIONS

inches (mm)	OPENNING	"A"	"B"
	TO 100	7-5/16" (185)	11-13/16" (300)
	TO 130	6-3/4" (159)	10-13/16" (275)

1. Adjust spring power to match door width as indicated by chart on page 1.
2. Mount closer on door as dimensions shown. Tube end toward hinge. If pivots are used, locate closer and shoe from CENTERLINE OF PIVOT.
3. Place main arm on top shaft, 90° to closer body, insert arm screw into top of shaft and tighten.
4. Attach shoe to frame as dimensions shown.
5. Open door and insert rod in forearm.
6. With forearm at right angle to door (90°), insert forearm set screw and tighten. (IF HOLD OPEN ARM IS USED, THE NUT IS ON THE TOP FOR RH DOOR AND BOTTOM FOR LH DOOR)

REGULATION

A 'normal' closing time from 90° open position to door stop position is 4-6 secs, evenly divided between main swing speed and latch swing speed. Use socket key (Furnished) to adjust speed. To slow main speed of door, turn regulating screw nearest shaft clockwise. To slow latch speed, turn regulating screw nearest hinge clockwise.

BACK CHECK

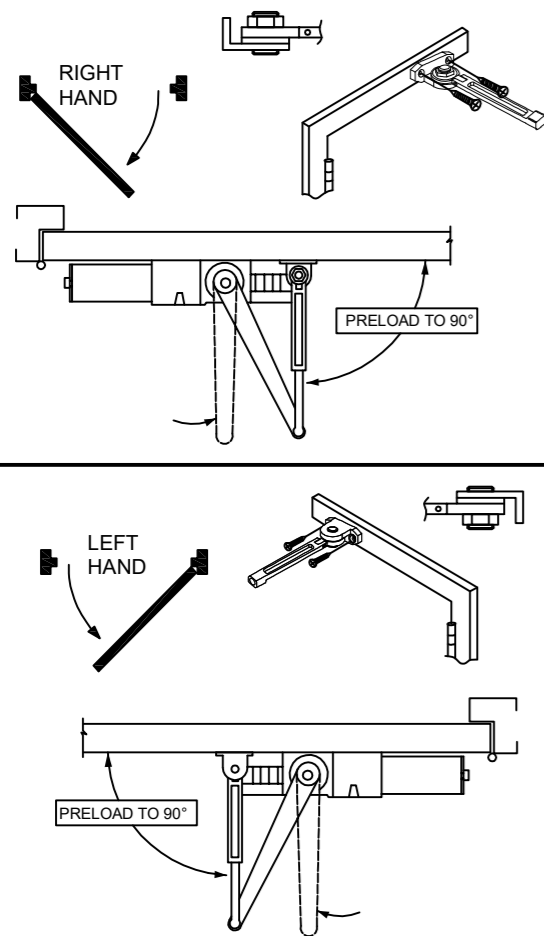
To increase back-check force, turn regulating screw nearest hinge clockwise. DO NOT USE ABRUPT BACK CHECK OR EXPECT DOOR CLOSER TO ACT AS A DOOR STOP.

COVER

Place insert in proper cutout, then push cover on the door closer body. Tighten both cover screw securely.

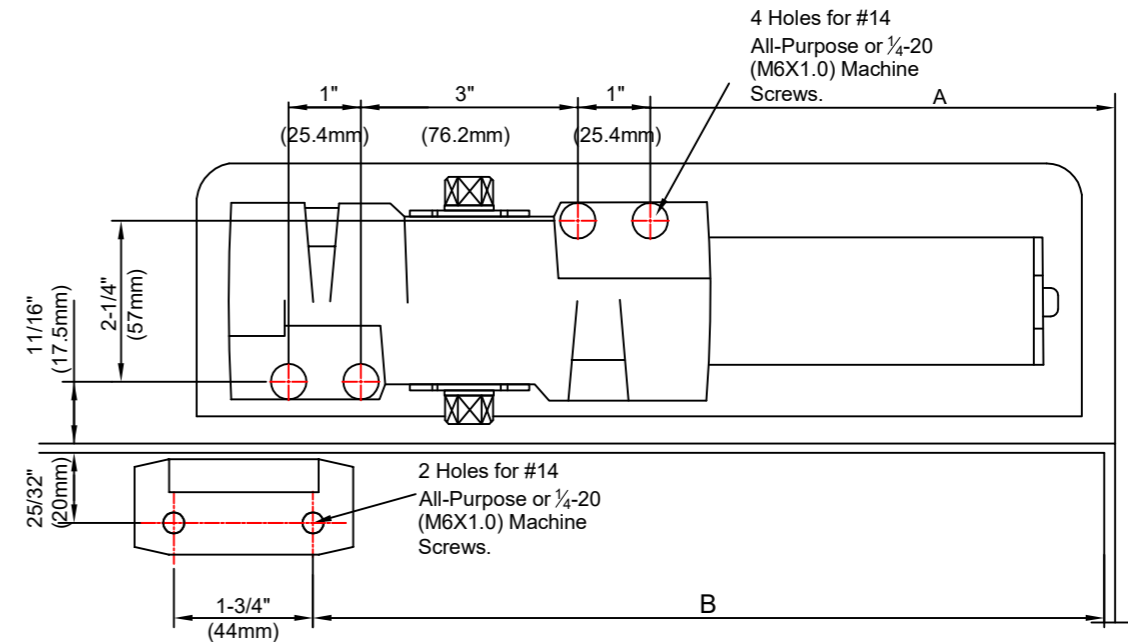
HOLD OPEN ADJUSTMENT (WHEN HOLD OPEN ARM IS USED)

Loose adjusting nut, open door to designed hold open position and tighten nut. Do not permit door to swing beyond hold open setting.



TOP JAMB INSTALLATION CLOSER MOUNTED TOP JAMB ON PUSH SIDE OF DOOR.

This drawing shown is RIGHT HAND DOOR, For LEFT HAND DOOR should be install in symmetry



INSATLLATION DIMENSIONS

inches (mm)	OPENNING	"A"	"B"
	TO 100	7-5/16" (185)	11-13/16" (300)
	TO 130	6-3/4" (159)	10-13/16" (275)

1. Adjust spring power to match door width as indicated by chart on page 1.
2. Mount closer on frame as dimensions shown. Tube end toward hinge. If pivots are used, locate closer and shoe from CENTERLINE OF PIVOT.
3. Place main arm on top shaft 90° to closer body, insert arm screw into top of shaft and tighten.
4. Attach shoe to door as shown.
5. Open door and insert rod in forearm-for reveal 2 5/8" through 4 13/16" use long rod. for reveals 4 7/8" to 8" use FORARM EXTENDER (ROD) -available from dealer.
6. With forearm at right angle to door (90°), insert forearm set screw and tighten. (IF HOLD OPEN ARM IS USED, THE NUT IS ON THE BOTTOM FOR RH DOOR AND TOP FOR LH DOOR)

REGULATION:

A 'normal' closing time from 90° open position to door stop position is 4-6 secs, evenly divided between main swing speed and latch swing speed. Use socket key (Furnished) to adjust speed. To slow main speed of door, turn regulation screws nearest shaft clockwise.. To slow latch speed, turn regulation screw nearest hinge clockwise.

BACK CHECK

To increase back-check force, turn regulating screw nearest hinge clockwise. DO NOT USE ABRUPT BACK CHECK OR EXPECT DOOR CLOSER TO ACT AS A DOOR STOP.

COVER

Place insert in Proper cutout, then push cover on the door closer body. Tighten both cover screws securely.

HOLD OPEN ADJUSTMENT (WHEN HOLD OPEN ARM IS USED)

Loose adjusting nut, open door to designed hold open position and tighten nut. Do not permit door to swing beyond hold open setting.

