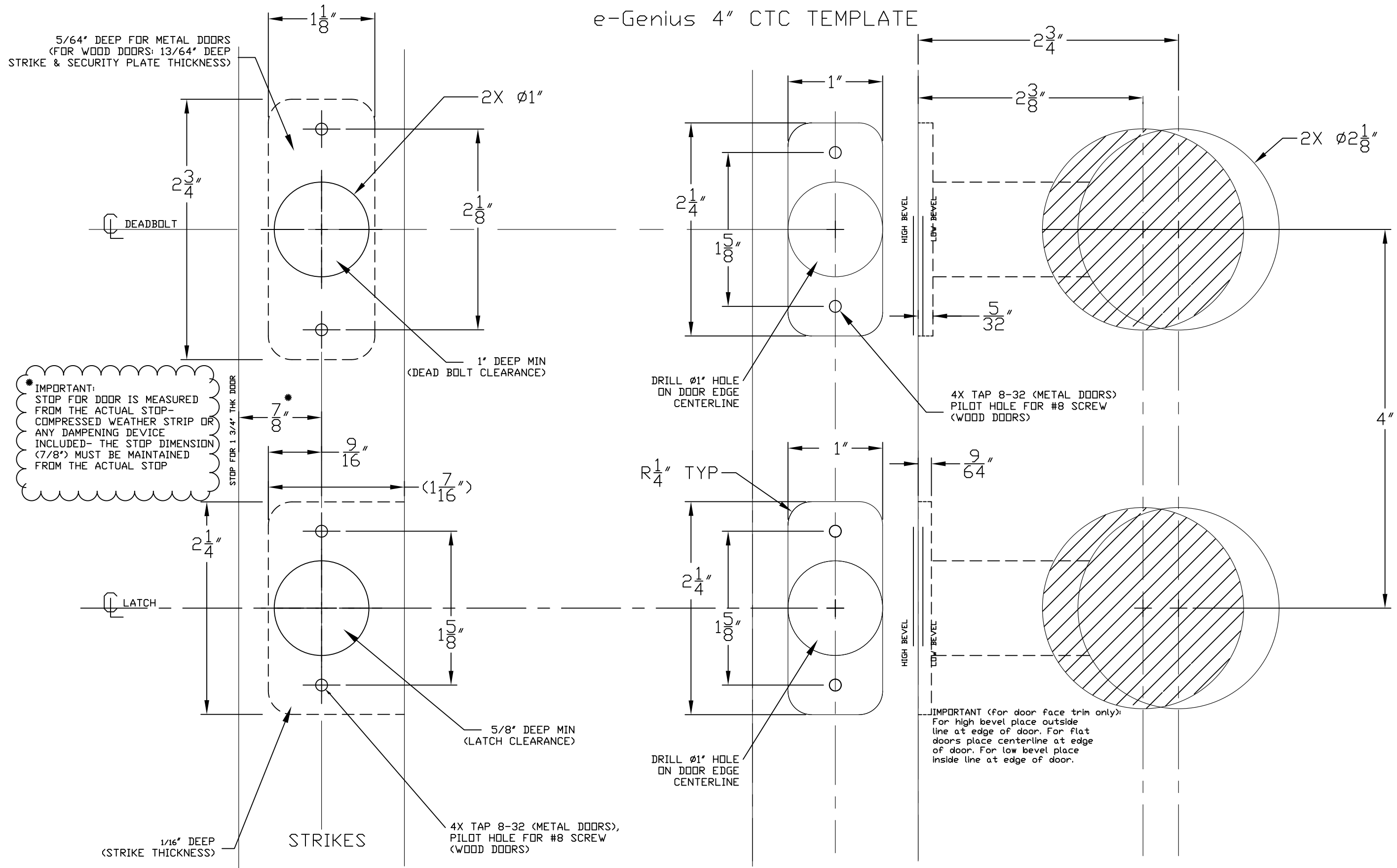


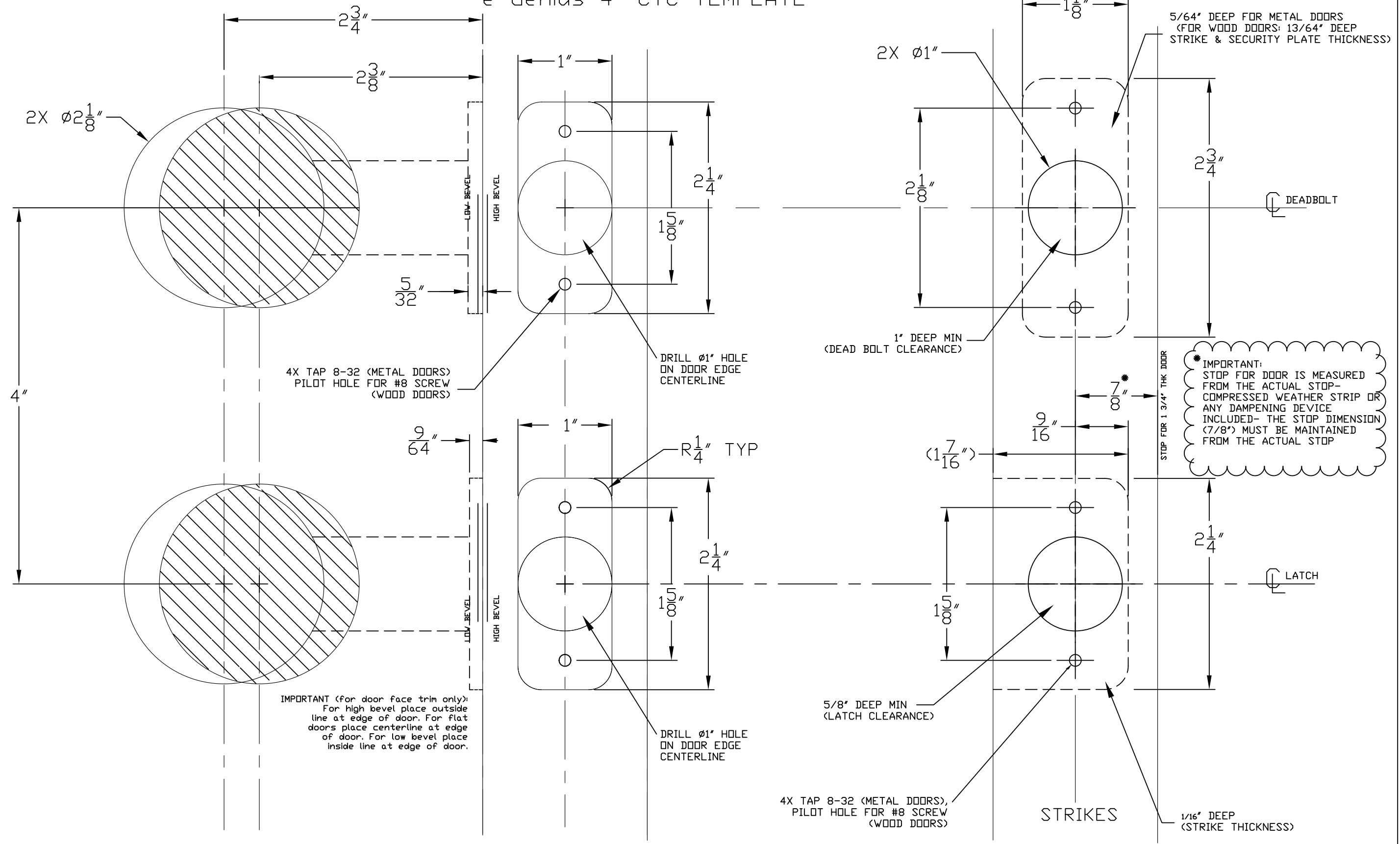
# e-Genius 4" CTC TEMPLATE



**RESPONSIBILITY:** Door and frame manufacturers are responsible for providing adequate construction or reinforcements for proper installation of hardware.

TEMPLATE SCALE IS 1:1 IF THIS MEASURES 1":

# e-Genius 4" CTC TEMPLATE

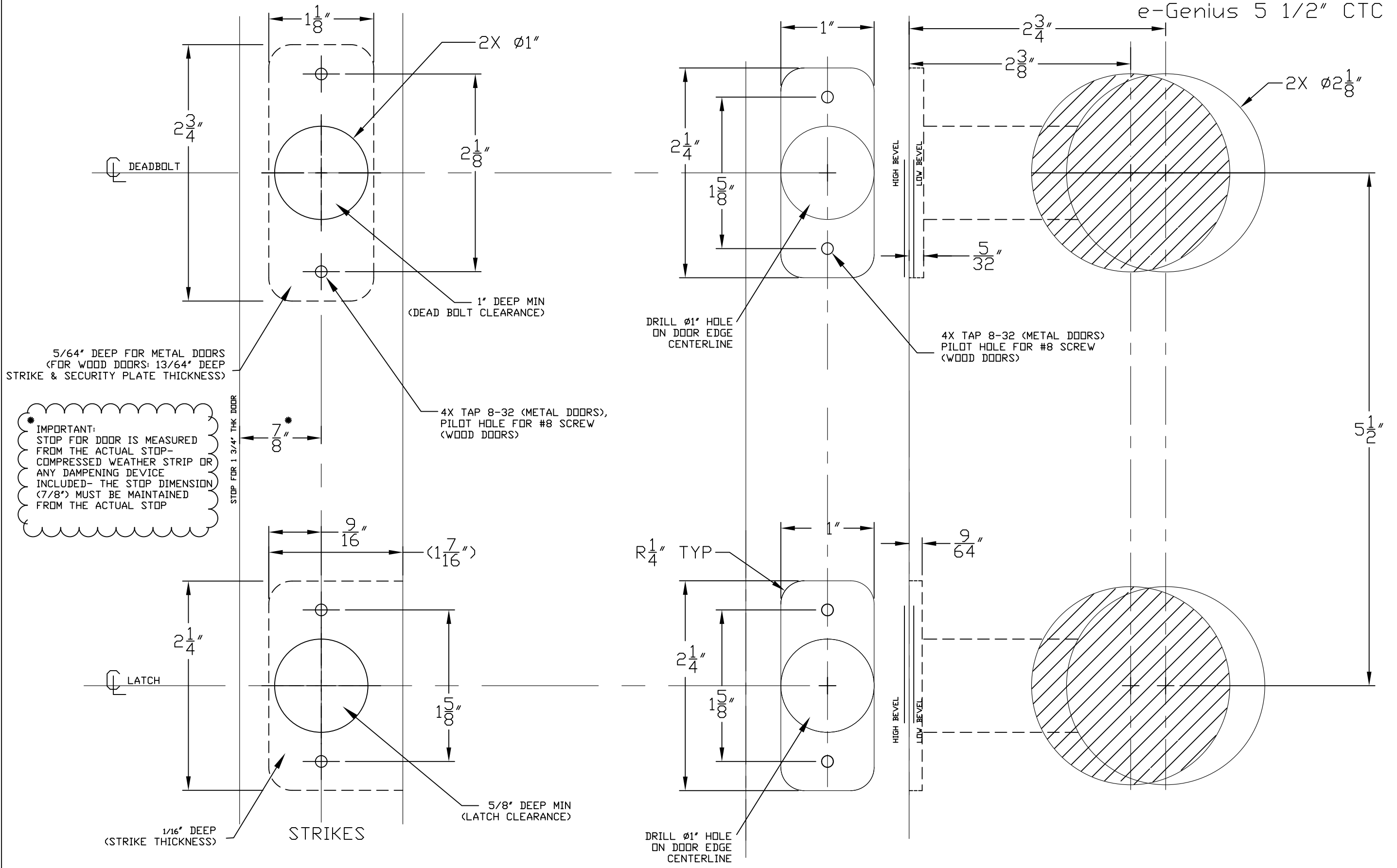


IMPORTANT (for door face trim only):  
For high bevel place outside line at edge of door. For flat doors place centerline at edge of door. For low bevel place inside line at edge of door.

\* IMPORTANT: STOP FOR DOOR IS MEASURED FROM THE ACTUAL STOP - COMPRESSED WEATHER STRIP OR ANY DAMPENING DEVICE INCLUDED - THE STOP DIMENSION (7/8") MUST BE MAINTAINED FROM THE ACTUAL STOP

RESPONSIBILITY: Door and frame manufacturers are responsible for providing adequate construction or reinforcements for proper installation of hardware.

TEMPLATE SCALE IS 1:1 IF THIS MEASURES 1":



**\* IMPORTANT:**  
STOP FOR DOOR IS MEASURED FROM THE ACTUAL STOP-COMPRESSED WEATHER STRIP OR ANY DAMPENING DEVICE INCLUDED- THE STOP DIMENSION (7/8") MUST BE MAINTAINED FROM THE ACTUAL STOP

**RESPONSIBILITY:** Door and frame manufacturers are responsible for providing adequate construction or reinforcements for proper installation of hardware.

**IMPORTANT (for door face trim only):**  
For high bevel place outside line at edge of door. For flat doors place centerline at edge of door. For low bevel place inside line at edge of door.

TEMPLATE SCALE IS 1:1 IF THIS MEASURES 1":

