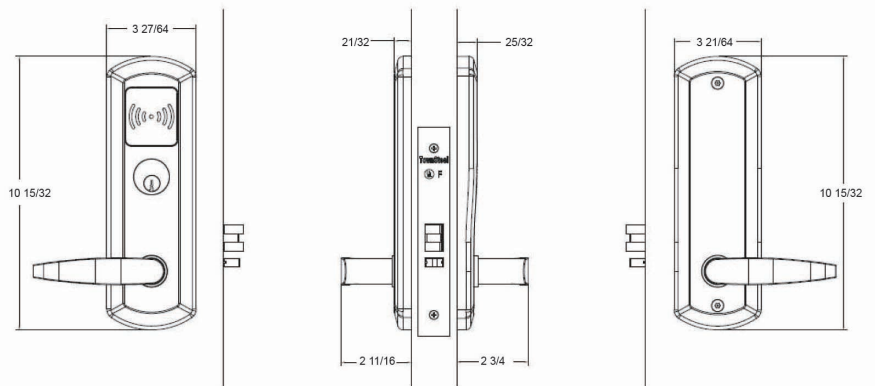


Overview

The FME-2000 is a standalone electronic function lock that provides RFID (Radio-Frequency Identification) technology integrated with an ANSI Grade 1 heavy duty mortise lockset for greater security. RFID technology simplifies the management of the system and provides ease of use. Maximum keycard capacity includes 1 program keycard, 1 clear keycard, 1 register keycard, and 250 user and office keycards. The FME- 2000 is quick and easy to program.

Features

- Heavy duty standalone RFID mortise lock
- Easy programming of multiple locks
- Extended two years battery life, with low battery warning
- Easy firmware update
- Non-volatile memory (Setting is not deleted even if power off)
- Mechanical key override
- Encrypted keycard
- Mifare technology with NFC tag
- Tamper resistant mounting screws
- Vandal resistant RFID reader



Electronic Specifications



Application	Full indoor and outdoor
User keycards	Up to 250
Keycard verification time	less than 0.5 second
Keycard maximum working distance	3/4"
Communication	Multi-colored LED and Sound
Power supply	4AA battery
Battery life	Up to 2yrs
Operating temperature-exterior	-31° to 151°F (-35° to 66°C)
Certifications	FCC Part 15, UL 10C, A156.13
Keycard	2 User and 1 Office keycards standard
Program Pack	One each Program, Clear and Register keycard standard

Mechanical Specifications

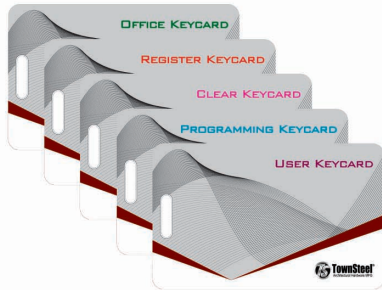


Chassis	A156.13 certified grade 1 mortise
Handing	Handed, easy field reversible
Door thickness	1-3/4" standard, others upon request
Backset	2-3/4"
Latch bolt	Stainless steel, anti-friction split, 3/4" throw
Faceplate	1-1/8" X 8" standard, 1-1/16" x 8" narrow style available
Escutcheon	Wrought steel or zinc alloy, plated to match finish symbols
Levers	Forged brass or cast zinc, plated to match finish symbols
Lever Style	Sentinel (S), Quest (Q) and Gala (G). Designer lever upon request
Strike	ANSI strike, 1-1/4" X 4-7/8", stainless steel or steel plated to match finish symbol

FME-2000



Grade 1 Mortise Lockset with RFID Technology



- Lead line** Available
- Clutching** Available
- Cylinder and keys** 6 pin brass, schlage "C" keyway standard, 2 brass keys per each cylinder
- SFIC** Small format IC available, 6 or 7 pin, Best "A" keyway
- Schlage® LFIC** Schlage® Large Format I.C. housing available
- Corbin® LFIC** Corbin® Large Format I.C. housing available, for 6pin core
- High Security Cylinder** Available, TownSteel "L" keyway, Regular 6 pin, SFIC 7 pin
- Finish** US26D and US10B stock finishes, other upon request
- Warranty** 1 year limited for electronic, 10 year limited for mechanical, 5 year limited for finish

Code Compliance

- ANSI/BHMA A156.13: Chassis A156.13-2005 Grade 1 certified
- ANSI/BHMA A156.25: Meets or exceeds applicable requirements
- UL/ULC: UL10C 3-hour rated
- BAA: Meets guidelines of the Buy American Act
- ADA: Meets requirements of the Americans with Disabilities Act
- RoHS: Meets requirements of EU RoHS Directive 2002/95/EC
- FCC: FCC part 15 certified



How to order

Series	Lever Style	Finish	Keying/Cylinder
FME-2010: Mortise RFID, Rigid FME-2020: Mortise RFID, Clutched FME-2030: Mortise RFID, High Security Cylinder, Rigid FME-2040: Mortise RFID, High Security Cylinder, Clutched FME-2050: Mortise RFID, Rigid, With Deadbolt FME-2060: Mortise RFID, Clutched, With Deadbolt FME-2070: Mortise RFID, High Security Cylinder, Rigid, With Deadbolt FME-2080: Mortise RFID, High Security Cylinder, Clutched, With Deadbolt	S: Sentinel Q: Quest G: Gala	US26D: Satin Chrome US10B: Powder Coat	Specify when ordering

Example:

