

Introduction

The XCE 9000 is a Standalone Electronic Classroom Security function lock that provides a remote lockdown along with the security afforded by using a grade 1 heavy duty cylindrical lockset.

Lockdown is accomplished using a Remote Control Unit (RCU) that is paired with one or more locks within the RCU's 75 foot range. The RCU is specific to the paired lock or locks. With a simple push of the RCU button the lock is secured against unauthorized outside entry. Lockdown is further indicated by red LEDs on both inside and outside portions of the lock that signify a lockdown is in progress. The RCU is normally controlled by a teacher or other designated individual that is granted responsibility for the room. The RCU will be carried at all times by the designated individual of the room, much like any other small piece of security or safety equipment.

The room will remain in lockdown until a lockdown cancellation code is entered from outside. The lock is always able to be opened from the inside to allow for a safe evacuation when necessary. During lockdown, a user code, office code or key override may be used to gain access to the room. The locking system is operated by batteries and is not affected by power outages. Overall the system is a secure, safe, practical and simple method to ensure the safety of the room and especially children.

Features

- Standalone electronic classroom intruder function
- Remote control unit (RCU) for lockdown
- Mechanical key override
- Inside and outside red LED lockdown indicators
- Lockdown cancellation code releases lockdown mode
- Heavy duty Grade 1 cylindrical lockset

Electronic Specifications

- Application: For classroom lockdown, full indoor and outdoor
- User/Office code capacity per lock : 90
- Emergency code capacity per lock: 9
- RCU verification time: less than 1 second
- Communication: Multi-colored LEDs and Sound
- Power supply: 4AA battery
- Battery life: Up to 2 years
- Operating temperature: -31° to 151° F (-35° to 66°C)
- Certifications: FCC Part 15, UL 10C, ANSI/BHMA A156.2



Mechanical Specifications

Door Thickness	1-3/4"-2"
Backset	2-3/4" standard, 5" optional
Strike	ASA Strike standard, 1-1/4" X 4-7/8"
Latch bolt	Stainless Steel, deadlocking, 1/2" projection
Faceplate	1-1/8" x 2-1/4"
Escutcheon	Steel or zinc alloy
Lever	Zinc or stainless steel
Lever Style	Sentinel (S), Quest (Q) and Gala(G)
Cylinder	- 6 pin Schlage® C Keyway, standard - Small Format IC with or without core available, 6 or 7 pin core, Best® "A" keyway - Schlage® Large Format IC less core available - Corbin® Large Format IC less core available, for 6 pin core - High Security Cylinder available, 6 pin, TownSteel "L" keyway - High Security SFIC Core available, 7 pin, TownSteel "L" keyway
Keying	KD standard, KA, MK, GMK, GGMK and construction available
Stock Finish	US26D and US10B, other upon request.

Code Compliance

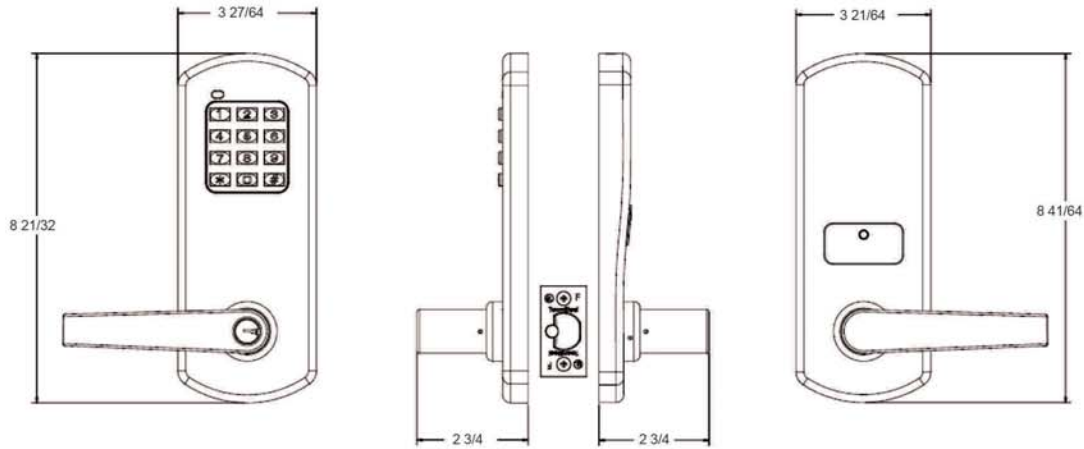
ANSI/BHMA A156.2	A156.2-2011 Grade 1 Certified
ANSI/BHMA A156.25	Meets or exceeds all applicable requirements
UL/ULC	UL 10C 3-hour rated
BAA	Meets guidelines of the Buy American Act
ADA	Meets requirements of the Americans with Disabilities Act
RoHS	Meets requirements of EU RoHS Directive 2002/95/EC
FCC	FCC part 15 certified

XCE-9000

CYLINDRICAL WITH KEYPAD



Profile



How to order

XCE - - - -

Series:

- XCE-9010 Rigid
- XCE-9010 Clutched
- XCE-9030 Rigid, High Security
- XCE-9040 Clutched, High Security

Lever Style:

- S Sentinel
- Q Quest
- G Gala

Backset

- 2-3/4"
- 5"

Finshes:

- US26D Satin Chrome
- US10B Powder Coat

Keying

Specify when ordering