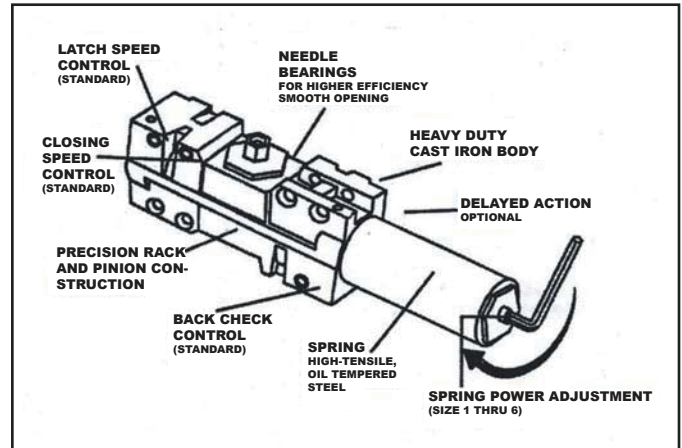


### Extra Heavy Duty Commercial Door Closer



#### FEATURES

- Tri-Pack with regular, parallel and top-jamb mounting, instructions and full size template.
- Barrier free spring adjustment from size 1 to 6.
- Non handed.
- Standard with adjustable sweep, latch and back check.
- Full plastic cover.
- **SNB** - Sex Nuts and Bolts.
- Standard hole pattern and mounting location.

#### Shipping Weight

- TDC40 = 12lbs
- TDC70 = 7 lbs
- TDC50 = 6 lbs
- TDC90 = 6 lbs

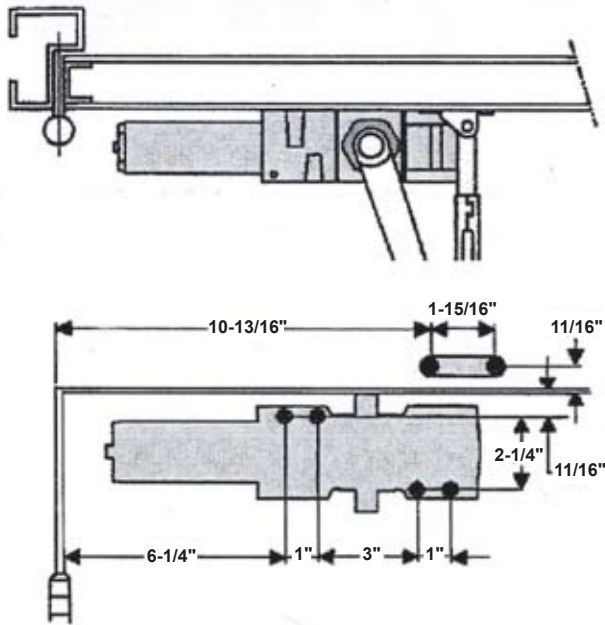
#### OPTIONS

- **DA** - Delay Closing Action.
- **H** - Friction Hold-Open Non-Handed Arm.
- **CUSH** - Heavy Duty Parallel Mount Cush Arm.
- **HCUSH** - Heavy Duty Parallel, Hold-Open Cush Arm.
- **PTDC4018** - Drop Plate, Pull-side Mount.
- **PTDC4018G** - Drop Plate - Top jamb Drop Down Plate.
- **PTDC4018PA** - Back Plate - Top Jamb Mount Plate.
- **PTDC4018TJ** - H Drop Plate - Parallel Arm Mount Plate.

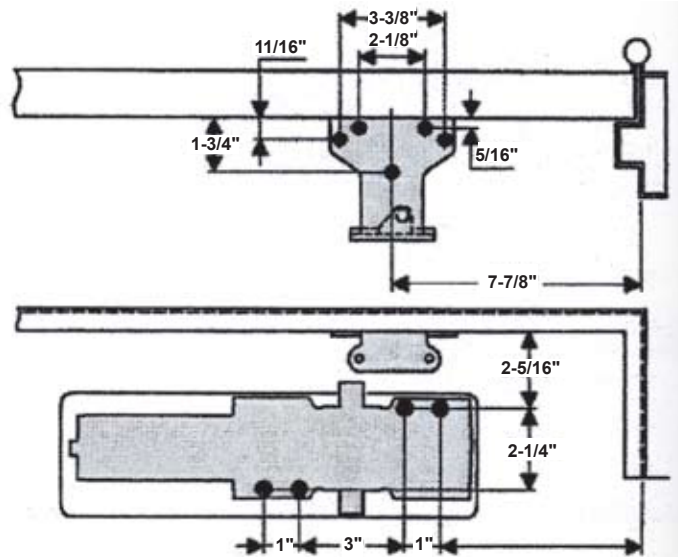
#### SPECIFICATIONS

**Closer** - Closers shall be by **TownSteel** model number TDC40, full rack and pinion type with cast iron body. All closers shall be provided with non-critical values with hex-key adjustment to independently regulate the sweep, latch and back-check. Closer shall have full spring adjustment from size 1 to size 6 and be non-handed, with full cover and narrow projection of 2-1/4" from the surface of the door. All closers shall be mounted to allow the maximum degree of swing.

### PULL SIDE INSTALLATION



### PUSH SIDE INSTALLATION



### CLOSER BODY

