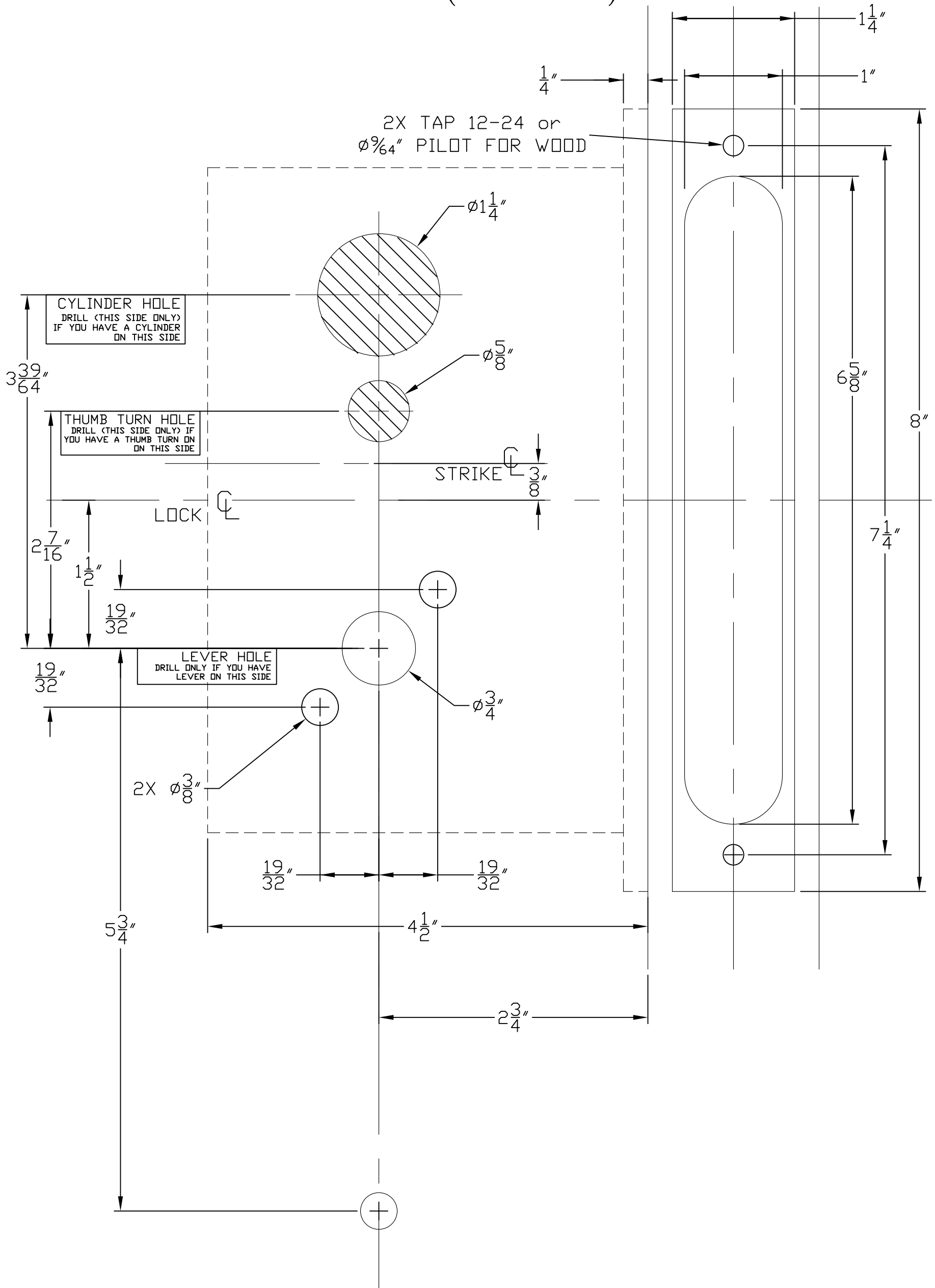


MORTISE TEMPLATE MRXA (MORTISE)

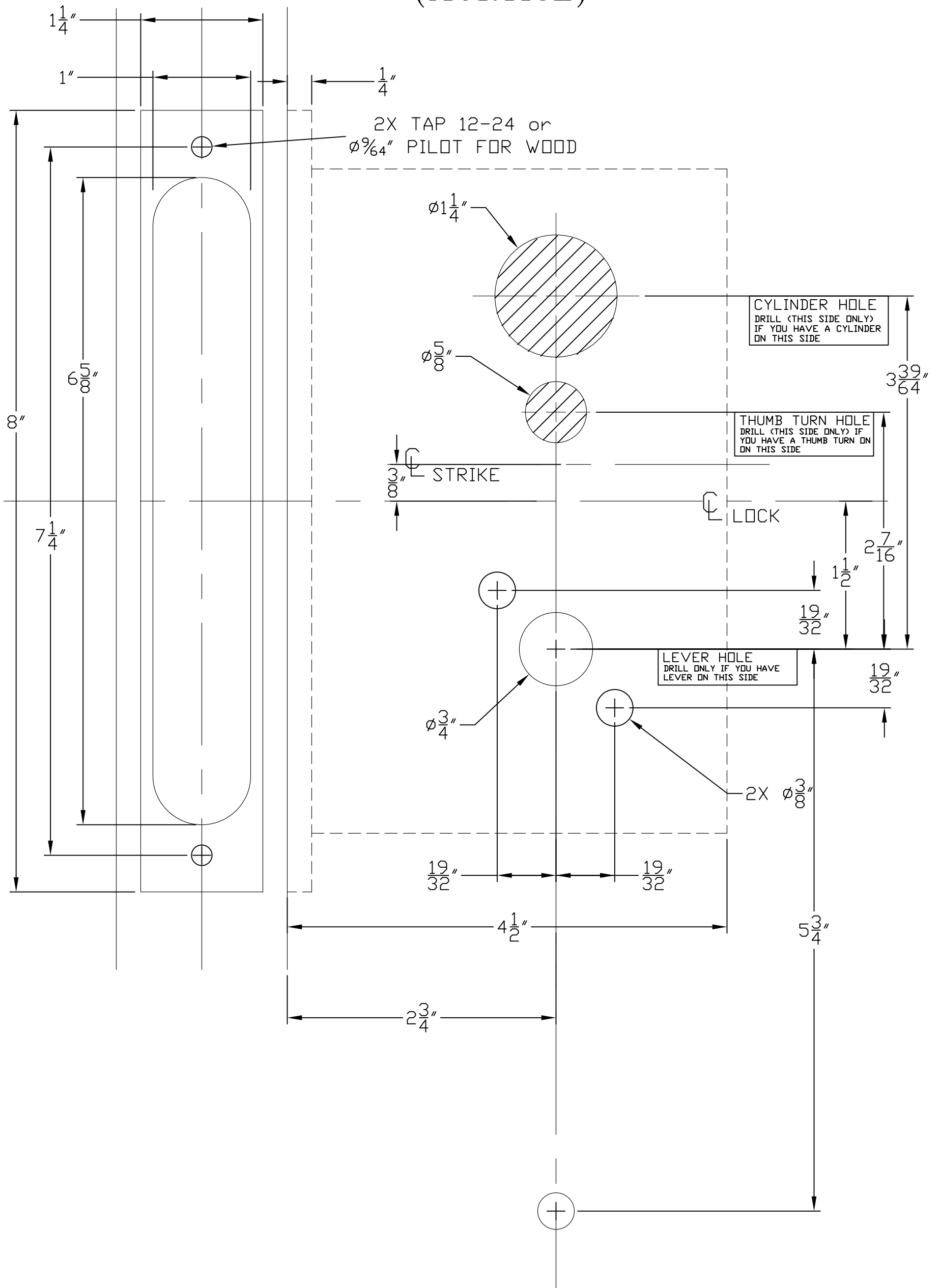


RESPONSIBILITY: Door and frame manufacturers are responsible for providing adequate construction or reinforcements for proper installation of hardware.

MORTISE TEMPLATE

TEMPLATE SCALE IS 1:1 IF THIS MEASURES 1":

MORTISE TEMPLATE MRXA (MORTISE)

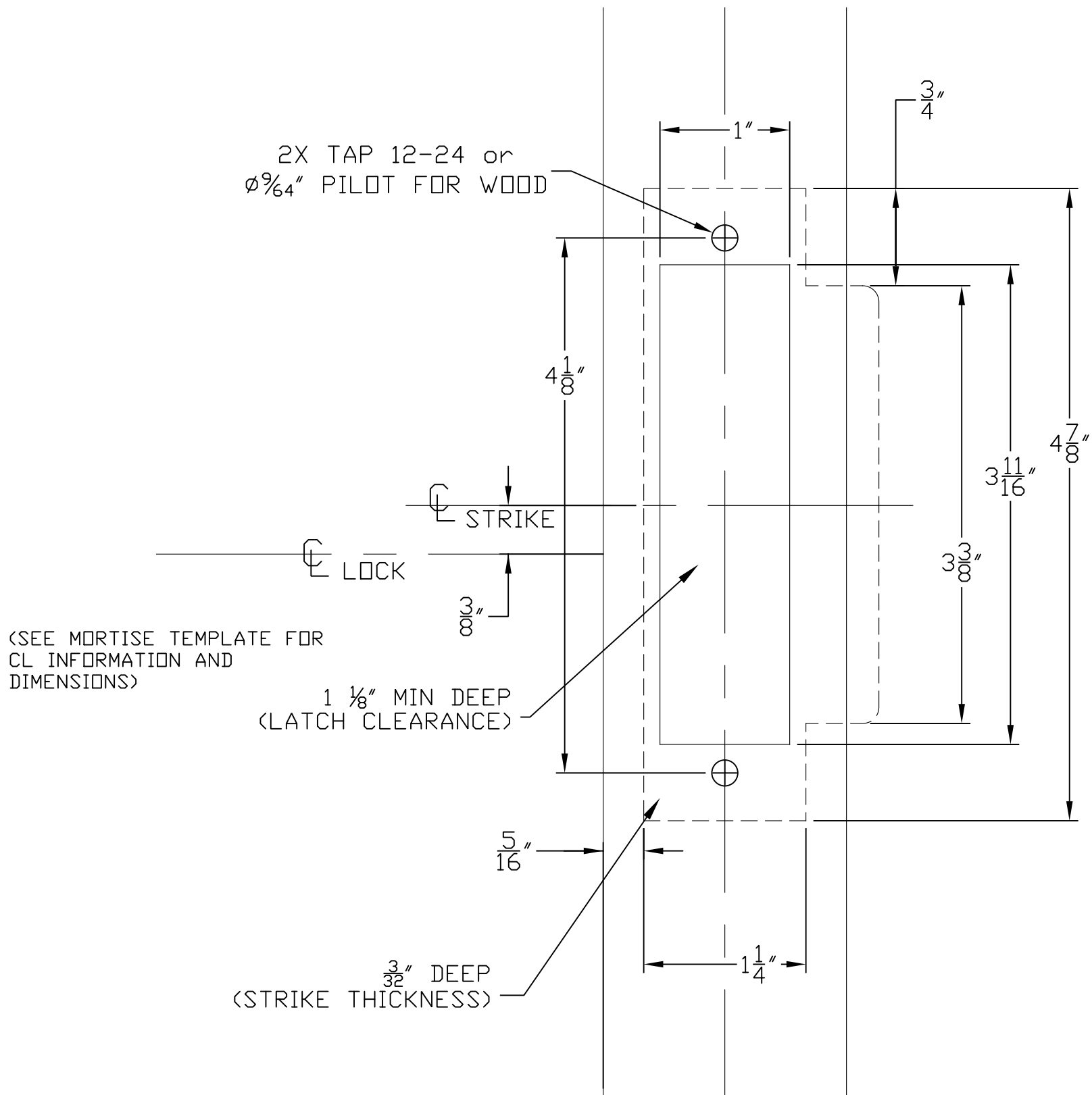


RESPONSIBILITY: Door and frame manufacturers are responsible for providing adequate construction or reinforcements for proper installation of hardware.

MORTISE TEMPLATE

TEMPLATE SCALE IS 1:1 IF THIS MEASURES 1":

MORTISE TEMPLATE MRXA (STRIKE)

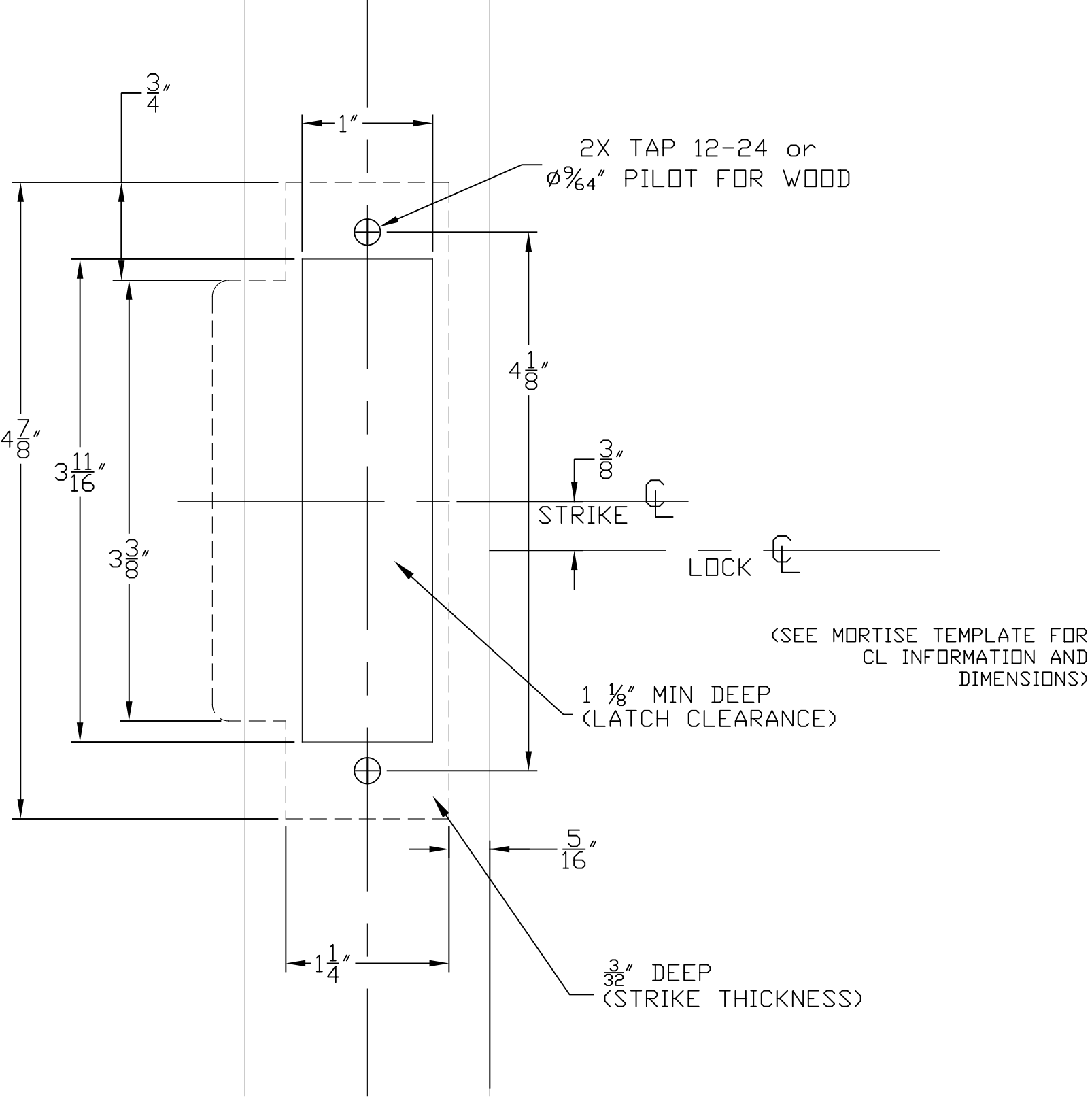


STRIKE TEMPLATE

RESPONSIBILITY: Door and frame manufacturers are responsible for providing adequate construction or reinforcements for proper installation of hardware.

TEMPLATE SCALE IS 1:1 IF THIS MEASURES 1":

MORTISE TEMPLATE MRXA (STRIKE)



STRIKE TEMPLATE

RESPONSIBILITY: Door and frame manufacturers are responsible for providing adequate construction or reinforcements for proper installation of hardware.

TEMPLATE SCALE IS 1:1 IF THIS MEASURES 1":