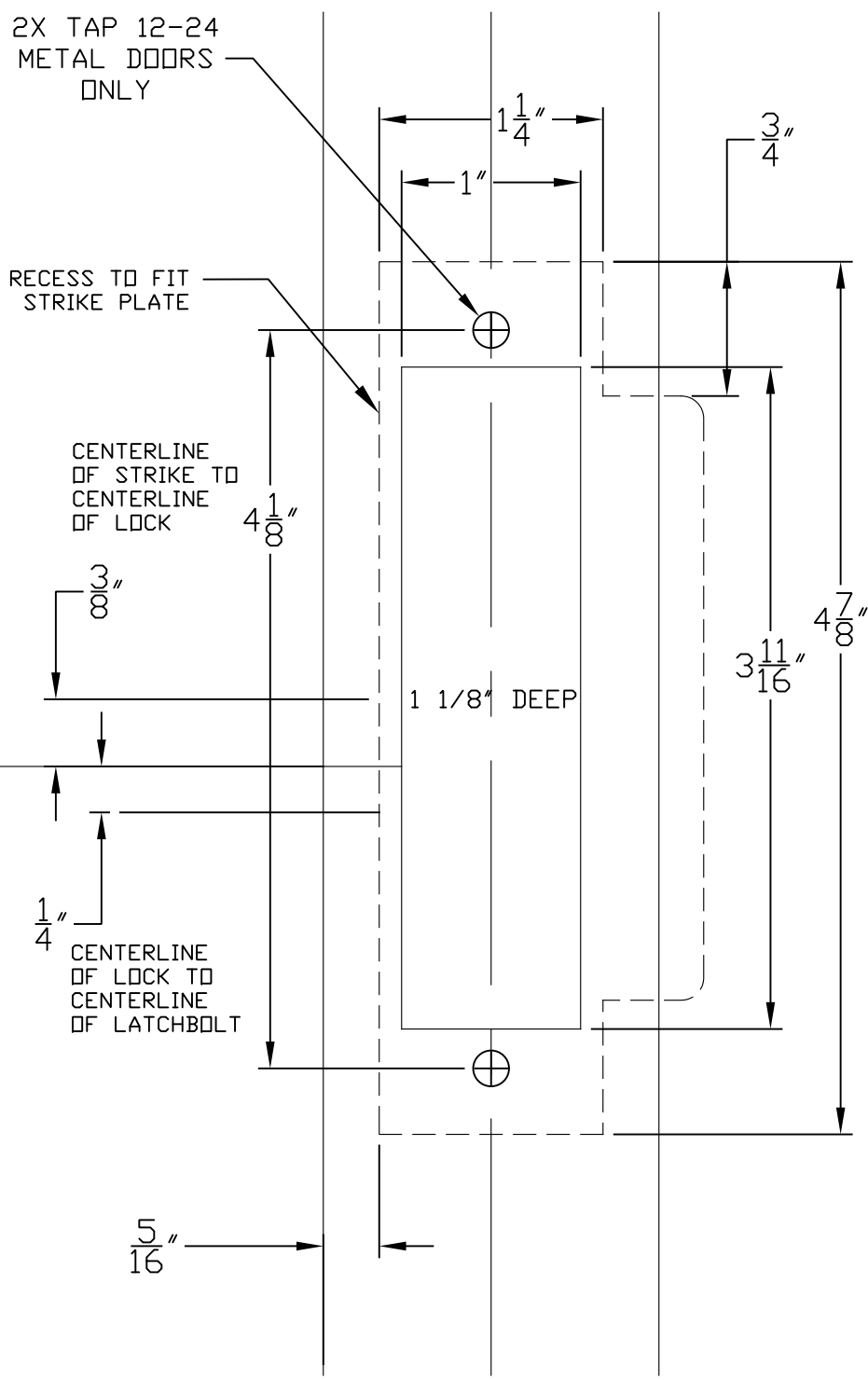
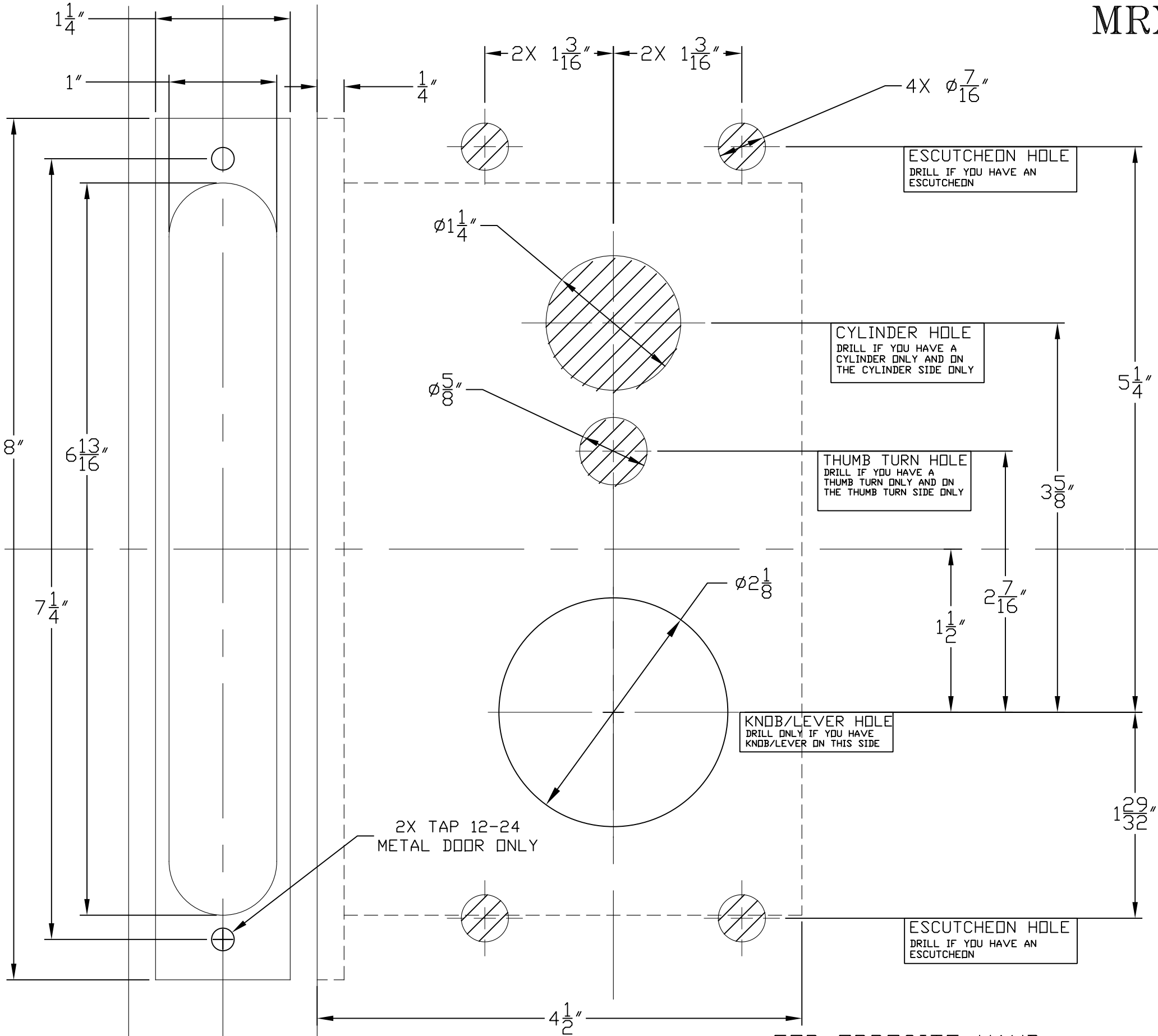


# MRX MORTISE TEMPLATE



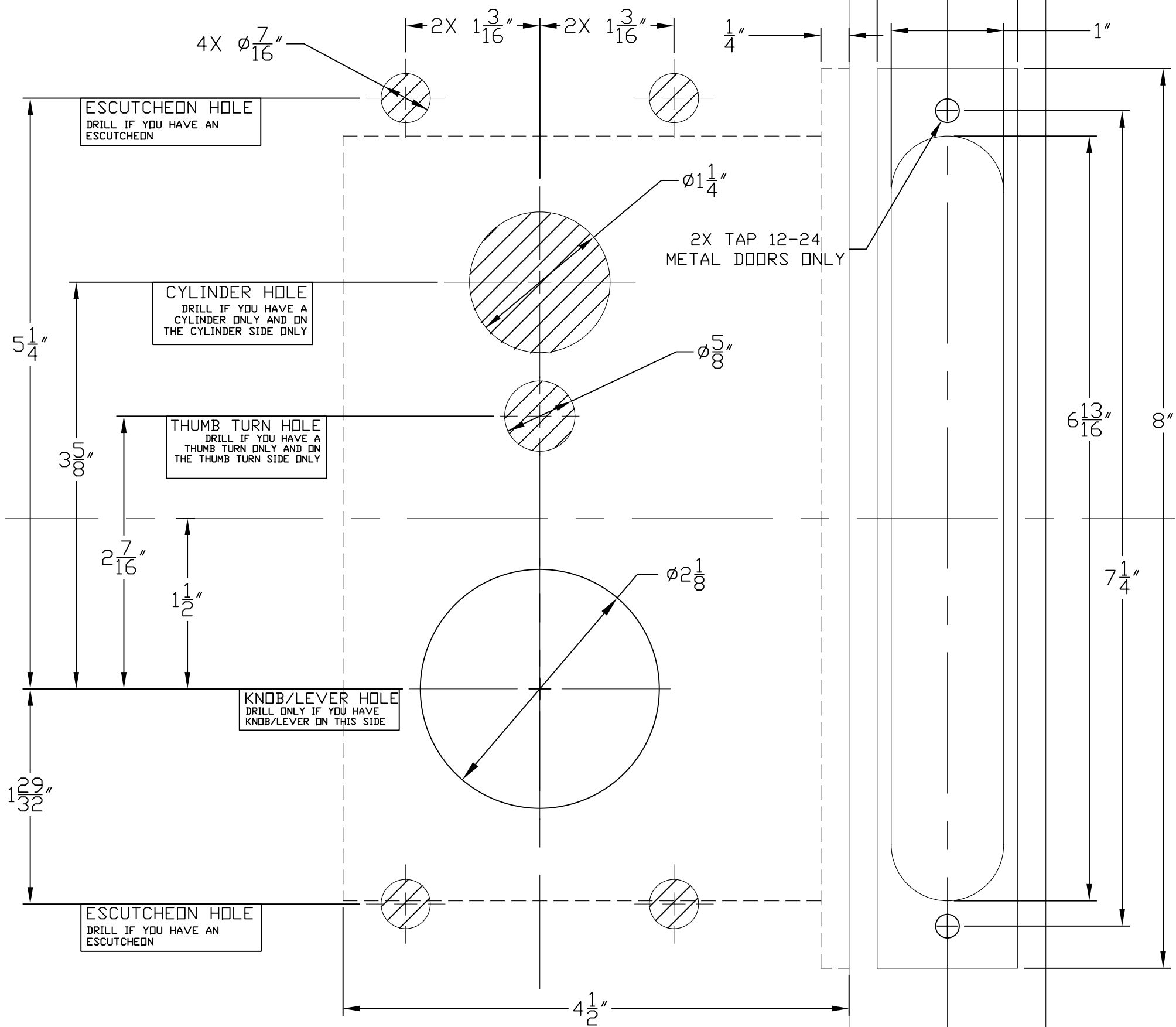
## STRIKE TEMPLATE

**RESPONSIBILITY**  
 Door and Frame Manufacturers are responsible for providing adequate construction or reinforcements for proper installation of hardware shown. All architectural builders hardware must be installed on properly reinforced doors and frames, regardless of the type, material, or method of construction.

FOR OPPOSITE HAND,  
 LOCATOR POINT PLEASE SEE REVERSE SIDE

TEMPLATE SCALE IS 1:1 IF THIS MEASURES 1":

# MRX MORTISE TEMPLATE



FOR OPPOSITE HAND, PLEASE SEE REVERSE SIDE  
 LOCATOR POINT  
 TEMPLATE SCALE IS 1:1 IF THIS MEASURES 1":

## DOOR PREPARATION CHART

LOCK FUNCTION	OUTSIDE				INSIDE		
	Lever Hole	Cylinder Hole	Thumb Turn Hole	Lever Hole	Cylinder Hole	Thumb Turn Hole	
01	●	●	●	●	●	●	
04 / 05 / 06 / 07	●	●	●	●	●	●	
08 / 12 / 13 / 15 / 20 / 21 / 26	●	●	●	●	●	●	
09 / 11 / 14 / 30 / 32 / 34 / 35	●	●	●	●	●	●	
2 / 19 / 22	●	●	●	●	●	●	
18	●	●	●	●	●	●	
17 / 29	●	●	●	●	●	●	
16	●	●	●	●	●	●	

