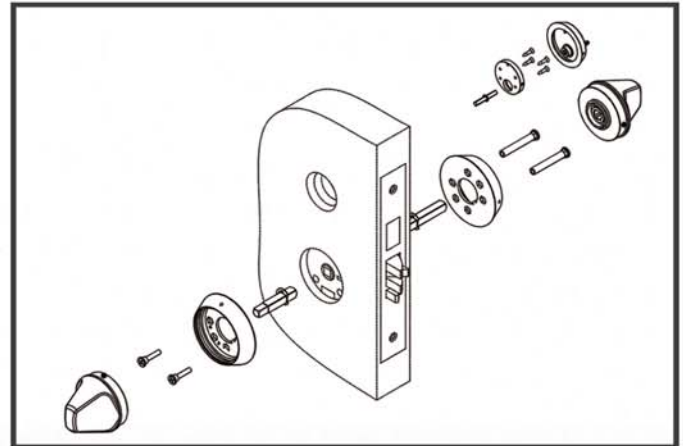


XMRXK

Electrified Ligature Resistant Mortise Lock



Mechanical Specification

- ANSI Grade 1 heavy duty mortise lock with ligature resistant safety knob trim
- Escutcheon (XMRX-E-K) or sectional (XMRX-S-K) trim set
- Backset 2-3/4"
- Door thickness: 1-3/4" standard, other upon request
- Stainless steel knob trim
- Stainless steel latch bolt, split, anti-friction, 3/4" throw
- Stainless steel dead bolt, with anti-saw pins, 1" projection
- Stainless steel thumb turn
- Stainless steel ANSI strike
- Tamper resistant stainless steel mounting screws
- Handing field reversible
- Schlage "C" keyway, brass 6 pin cylinder standard
- SFIC with or less core available, 6 or 7 pin core
- Schlage® LFIC less core available
- Corbin® LFIC less core available
- High security cylinder available, TownSteel " L" keyway, 6 pin
- High security SFIC core available, TownSteel " L" keyway, 7 pin
- Keyed Different standard, KA, MK, GMK, GGMK and construction keying available
- Available finish: US32D
- 10-year Manufacturer's Limited Warranty

Electrified Specification

- 24VDC or 12VDC
- Fail Safe or Fail Secure
- 3 Monitoring capabilities
 - Request- to-Exit
 - Door Position
 - Latch Position

Code Compliance

- ANSI/BHMA A156.13-2012 Grade 1 Certified
- UL/ULC UL 10C Listed 3-Hour Fire Rating
- BAA Meets requirements of The Buy American Act



How To Order

Trim	XMRX-E-K Electrified Ligature Resistant Mortise - Escutcheon Trim with Knob XMRX-S-K Electrified Ligature Resistant Mortise - Sectional Trim with Knob
Function	Please Refer to Electrified Function Sheet
Keying/Cylinder	Specify when ordering
Handing	LH, RH, LHR, RHR
Example	
1. Ligature Resistant Lever Mortise - Escutcheon Trim	XMRX-E-K-121-LH
2. Function	
3. LH	

Important Note:

It is TownSteel's position that if any of our keyed locks are to be used less cylinder, whether I.C. or standard, and another manufacturer's cylinder is to be used in place of the TownSteel's original manufacturer's cylinder, that a sample of that product be provided to TownSteel in advance for testing.