

# XMRX-E-K-Electrified Ligature Resistant Mortise



## Mechanical Specification

- ANSI Grade 1 heavy duty mortise lock with ligature resistant safety knob trim
- Escutcheon trim
- Backset 2-3/4"
- Door thickness: 1-3/4" standard, other upon request
- Stainless steel knob trim
- Stainless steel latch bolt, split, anti-friction, 3/4" throw
- Stainless steel dead bolt, with anti-saw pins, 1" projection
- Stainless steel thumb turn
- Stainless steel ANSI strike
- Tamper resistant stainless steel mounting screws
- Handing field reversible
- Schlage "C" keyway, brass 6 pin cylinder standard
- SFIC with or less core available, 6 or 7 pin core
- Schlage® LFIC less core available
- Corbin® LFIC less core available
- High security cylinder available, TownSteel "L" keyway, 6 pin

- High security SFIC core available, TownSteel "L" keyway, 7 pin
- Keyed Different standard, KA, MK, GMK, GGK and construction keying available
- Available finish: US32D
- 10-year Manufacturer's Limited Warranty

## Electrified Specification

- 24VDC or 12VDC
- Fail Safe or Fail Secure
- 3 Monitoring capabilities
  - Request- to-Exit
  - Door Position
  - Latch Position

## Code Compliance

- ANSI/BHMA Certified A156.13-2005 Grade 1 Certified
- UL 10C Listed 3-Hour Fire Rating
- Meets requirements of The Buy American Act
- OMH of New York State Approved

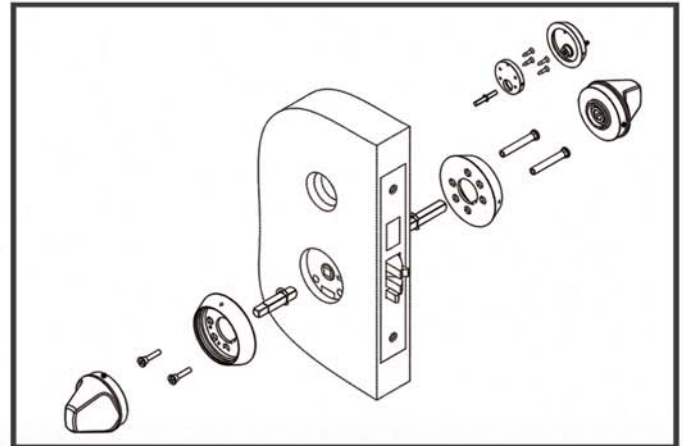
## Important Note:

It is TownSteel' position that if any of our keyed locks are to be used less cylinder, whether I.C. or standard, and another manufacturer's cylinder is to be used in place of the TownSteel' original manufacturer's cylinder, that a sample of that product be provided to TownSteel in advance for testing.



# XMRXK

# Electrified Ligature Resistant Mortise Lock



## Mechanical Specification

- ANSI Grade 1 heavy duty mortise lock with ligature resistant safety knob trim
- Escutcheon (XMRX-E-K) or sectional (XMRX-S-K) trim set
- Backset 2-3/4"
- Door thickness: 1-3/4" standard, other upon request
- Stainless steel knob trim
- Stainless steel latch bolt, split, anti-friction, 3/4" throw
- Stainless steel dead bolt, with anti-saw pins, 1" projection
- Stainless steel thumb turn
- Stainless steel ANSI strike
- Tamper resistant stainless steel mounting screws
- Handing field reversible
- Schlage "C" keyway, brass 6 pin cylinder standard
- SFIC with or less core available, 6 or 7 pin core
- Schlage® LFIC less core available
- Corbin® LFIC less core available
- High security cylinder available, TownSteel " L" keyway, 6 pin
- High security SFIC core available, TownSteel " L" keyway, 7 pin
- Keyed Different standard, KA, MK, GMK, GGMK and construction keying available
- Available finish: US32D
- 10-year Manufacturer's Limited Warranty

## Electrified Specification

- 24VDC or 12VDC
- Fail Safe or Fail Secure
- 3 Monitoring capabilities
  - Request- to-Exit
  - Door Position
  - Latch Position

## Code Compliance

- ANSI/BHMA A156.13-2012 Grade 1 Certified
- UL/ULC UL 10C Listed 3-Hour Fire Rating
- BAA Meets requirements of The Buy American Act



## How To Order

<b>Trim</b>	XMRX-E-K Electrified Ligature Resistant Mortise - Escutcheon Trim with Knob XMRX-S-K Electrified Ligature Resistant Mortise - Sectional Trim with Knob
<b>Function</b>	Please Refer to Electrified Function Sheet
<b>Keying/Cylinder</b>	Specify when ordering
<b>Handing</b>	LH, RH, LHR, RHR
<b>Example</b>	
<b>1. Ligature Resistant Lever Mortise - Escutcheon Trim</b>	XMRX-E-K-121-LH
<b>2. Function</b>	
<b>3. LH</b>	

## Important Note:

It is TownSteel's position that if any of our keyed locks are to be used less cylinder, whether I.C. or standard, and another manufacturer's cylinder is to be used in place of the TownSteel's original manufacturer's cylinder, that a sample of that product be provided to TownSteel in advance for testing.