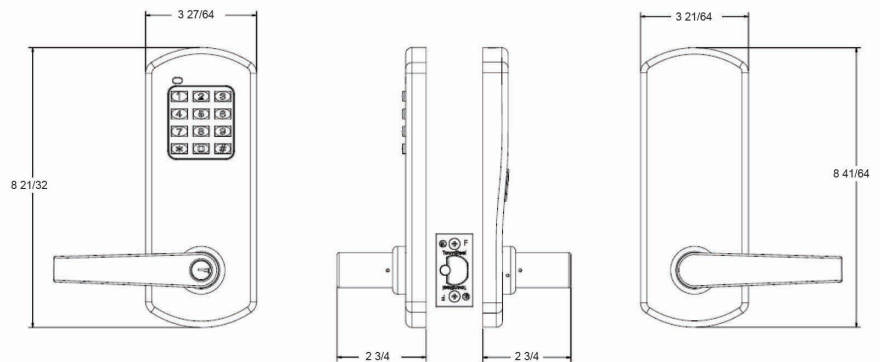


Overview

The XCE-2000 is a standalone electronic function lock that provides keypad technology integrated with an ANSI Grade 1 heavy duty cylindrical lockset for greater security. Keypad technology simplifies the management of the system and provides ease of use. Maximum code capacity includes 1 master code, 10 manager codes, 90 user codes and 5 service codes. The XCE-2000 provides two remote control terminals; one for a fire alarm system and the other for remote release by push button. The XCE 2000 is quick and easy to program.

Features

- Digital keypad cylindrical lock
- Use keypad to lock or unlock outside lever
- Mechanical key override
- Heavy duty Grade 1 cylindrical chassis
- Both clutched and rigid lever trim available
- Various cylinder and keying options
- Easy installation, easy programming



Electronic Specifications

Application	Full indoor and outdoor
User codes	Up to 90
Communication	Multi-colored LED and Sound
Power supply	4AA battery
Battery life	Up to 2yrs
Operating temperature	-31° to 151°F (-35° to 66°C)
Certifications	FCC Part 15, UL 10C, A156.2

Mechanical Specifications

Chassis	A156.2 certified grade 1 cylindrical
Handing	Non-handed
Door thickness	1-3/4"-2"
Backset	2-3/4" standard, 5" optional
Latch bolt	Self-adjustable, Stainless steel, 1/2" throw, dead-locking
Faceplate	Stainless steel, 1-1/8" X 2-1/4"
Escutcheon	Wrought steel or zinc alloy, plated to match finish symbols
Levers	Cast zinc or stainless steel, plated to match finish symbols

Grade 1 Electronic Cylindrical Lockset with Keypad

Lever Style	Sentinel(S), Quest(Q) and Gala(G)
Clutching	Available
Strike	ASA strike, 1-1/4" X 4-7/8", steel plated to match finish symbols
Cylinder and keys	6 pin brass, schlage "C" keyway standard, 2 brass keys per cylinder
SFIC	Small format IC available, 6 or 7 pin, Best "A" keyway
Schlage® LFIC	Schlage® Large Format I.C. less core available
Corbin® LFIC	Corbin® Large Format I.C. less core available, for 6 pin core
High Security Cylinder	Available, TownSteel "L" Keyway, Regular 6 pin, SFIC 7 pin
Finish	US26D and US10B stock finishes, other upon request
Warranty	1 year limited for electronic, 10 year limited for mechanical, 5 year limited for finish

Code Compliance

- ANSI/BHMA A156.2: Chassis A156.2-2011 Certified
- ANSI/BHMA A156.25: Meets or exceeds all applicable requirements
- UL/ULC: UL10C 3-hour rated
- BAA: Meets guidelines of the Buy American Act
- ADA: Meets requirements of the Americans with Disabilities Act
- RoHS: Meets requirements of EU RoHS Directive 2002/95/EC
- FCC: FCC part 15 certified

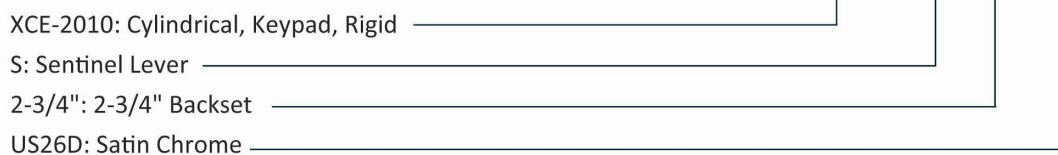


How to order

Series	Lever Style	Backset	Finish	Keying/Cylinder
XCE-2010: Cylindrical, Keypad, Rigid XCE-2020: Cylindrical, Keypad, Clutched XCE-2030: Cylindrical, Keypad, High Security Cylinder, Rigid XCE-2040: Cylindrical, Keypad, High Security Cylinder, Clutched	S: Sentinel Q: Quest G: Gala	2-3/4" 5"	US26D: Satin Chrome US10B: Powder Coat	Specify when ordering

Example:

XCE-2010 - S - 2-3/4 - US26D



Introduction

The XCE 9000 is a Standalone Electronic Classroom Security function lock that provides a remote lockdown along with the security afforded by using a grade 1 heavy duty cylindrical lockset.

Lockdown is accomplished using a Remote Control Unit (RCU) that is paired with one or more locks within the RCU's 75 foot range. The RCU is specific to the paired lock or locks. With a simple push of the RCU button the lock is secured against unauthorized outside entry. Lockdown is further indicated by red LEDs on both inside and outside portions of the lock that signify a lockdown is in progress. The RCU is normally controlled by a teacher or other designated individual that is granted responsibility for the room. The RCU will be carried at all times by the designated individual of the room, much like any other small piece of security or safety equipment.

The room will remain in lockdown until a lockdown cancellation code is entered from outside. The lock is always able to be opened from the inside to allow for a safe evacuation when necessary. During lockdown, a user code, office code or key override may be used to gain access to the room. The locking system is operated by batteries and is not affected by power outages. Overall the system is a secure, safe, practical and simple method to ensure the safety of the room and especially children.

Features

- Standalone electronic classroom intruder function
- Remote control unit (RCU) for lockdown
- Mechanical key override
- Inside and outside red LED lockdown indicators
- Lockdown cancellation code releases lockdown mode
- Heavy duty Grade 1 cylindrical lockset

Electronic Specifications

- Application: For classroom lockdown, full indoor and outdoor
- User/Office code capacity per lock : 90
- Emergency code capacity per lock: 9
- RCU verification time: less than 1 second
- Communication: Multi-colored LEDs and Sound
- Power supply: 4AA battery
- Battery life: Up to 2 years
- Operating temperature: -31° to 151° F (-35° to 66°C)
- Certifications: FCC Part 15, UL 10C, ANSI/BHMA A156.2



Mechanical Specifications

Door Thickness	1-3/4"-2"
Backset	2-3/4" standard, 5" optional
Strike	ASA Strike standard, 1-1/4" X 4-7/8"
Latch bolt	Stainless Steel, deadlocking, 1/2" projection
Faceplate	1-1/8" x 2-1/4"
Escutcheon	Steel or zinc alloy
Lever	Zinc or stainless steel
Lever Style	Sentinel (S), Quest (Q) and Gala(G)
Cylinder	- 6 pin Schlage® C Keyway, standard - Small Format IC with or without core available, 6 or 7 pin core, Best® "A" keyway - Schlage® Large Format IC less core available - Corbin® Large Format IC less core available, for 6 pin core - High Security Cylinder available, 6 pin, TownSteel "L" keyway - High Security SFIC Core available, 7 pin, TownSteel "L" keyway
Keying	KD standard, KA, MK, GMK, GGMK and construction available
Stock Finish	US26D and US10B, other upon request.

Code Compliance

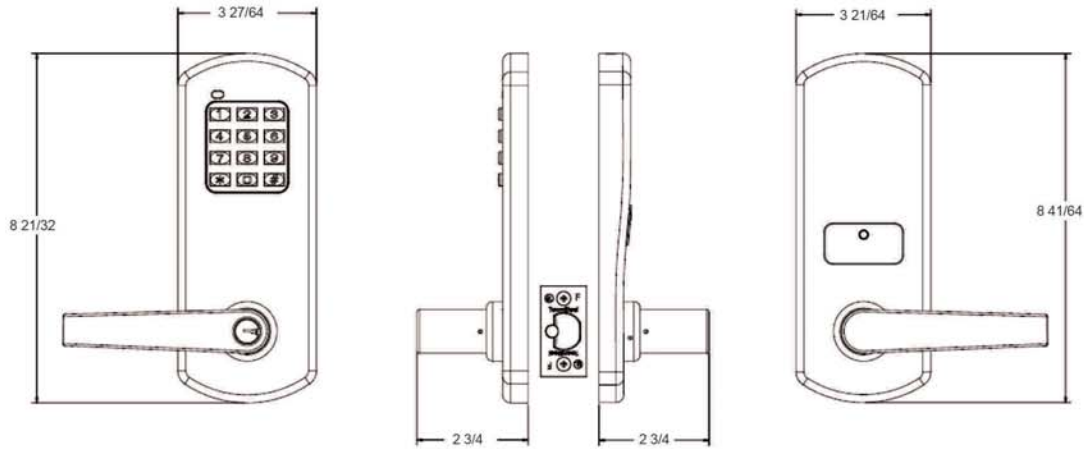
ANSI/BHMA A156.2	A156.2-2011 Grade 1 Certified
ANSI/BHMA A156.25	Meets or exceeds all applicable requirements
UL/ULC	UL 10C 3-hour rated
BAA	Meets guidelines of the Buy American Act
ADA	Meets requirements of the Americans with Disabilities Act
RoHS	Meets requirements of EU RoHS Directive 2002/95/EC
FCC	FCC part 15 certified

XCE-9000

CYLINDRICAL WITH KEYPAD



Profile



How to order

XCE - - - -

Series:

- XCE-9010 Rigid
- XCE-9010 Clutched
- XCE-9030 Rigid, High Security
- XCE-9040 Clutched, High Security

Lever Style:

- S Sentinel
- Q Quest
- G Gala

Backset

- 2-3/4"
- 5"

Finishes:

- US26D Satin Chrome
- US10B Powder Coat

Keying

Specify when ordering