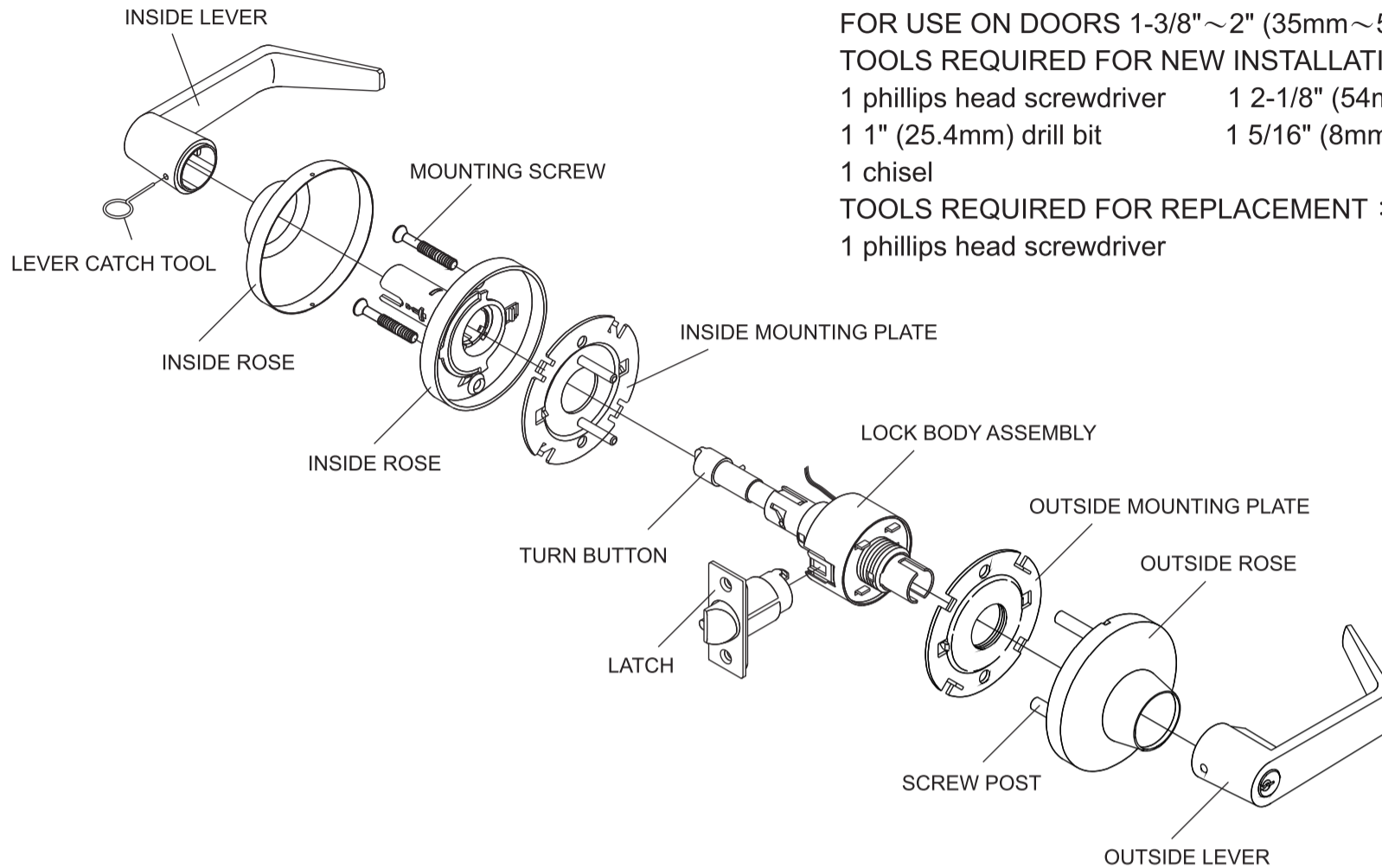


INSTALLATION INSTRUCTIONS FOR COMMERCIAL KEY-IN-LEVER WITH REX OUTPUT



FOR USE ON DOORS 1-3/8" ~ 2" (35mm ~ 51mm) THICK

TOOLS REQUIRED FOR NEW INSTALLATION :

1 phillips head screwdriver 1 2-1/8" (54mm) hole saw

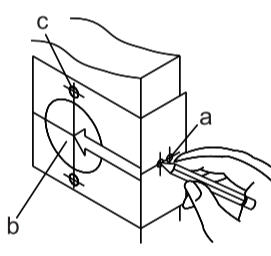
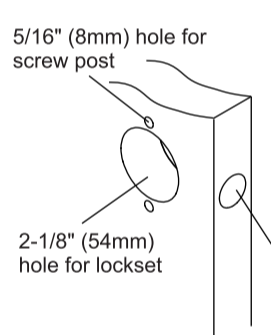
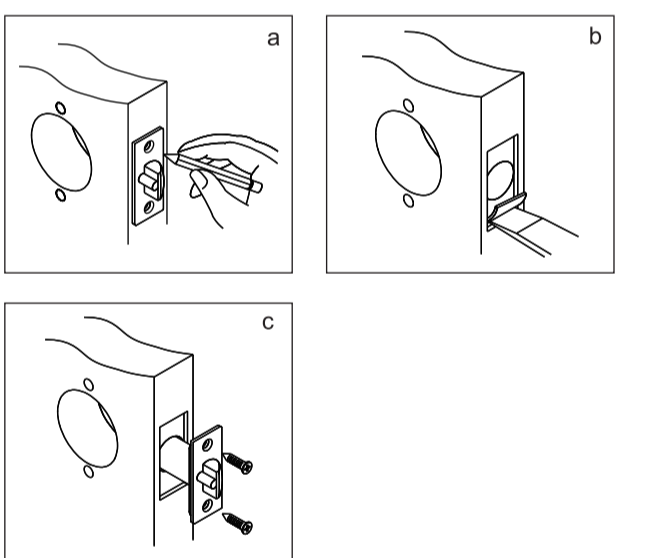
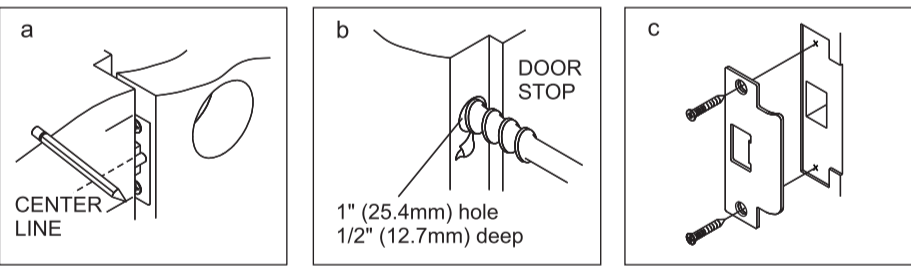
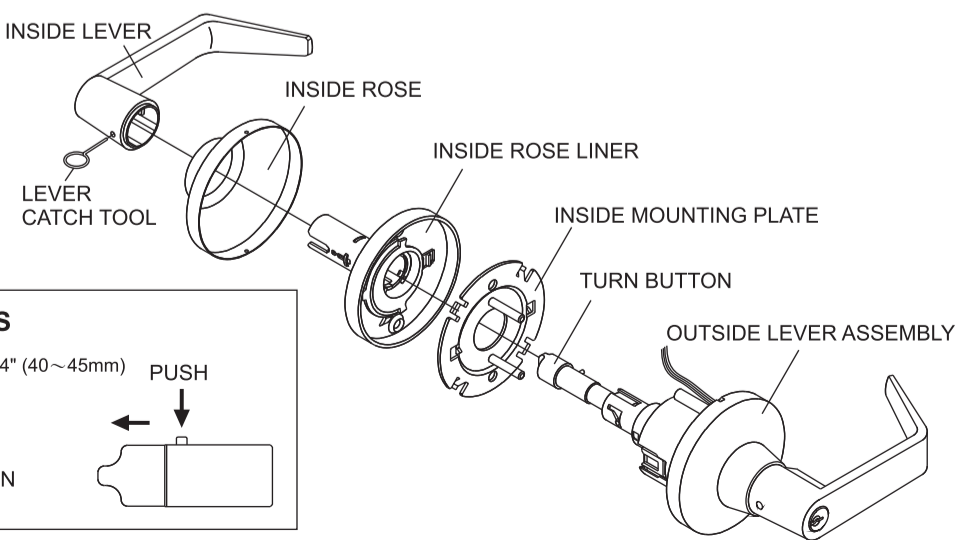
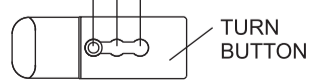
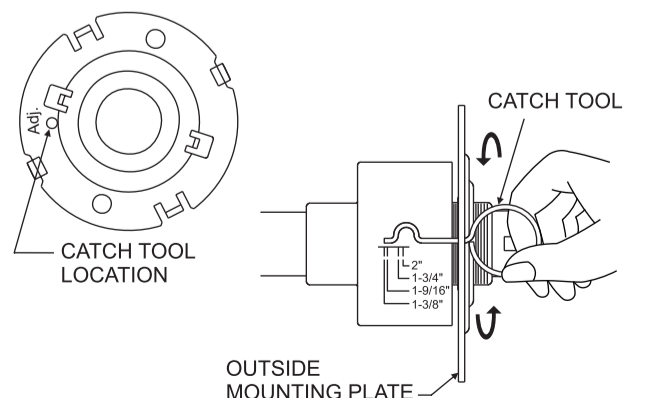
1 1" (25.4mm) drill bit

1 5/16" (8mm) drill bit

1 chisel

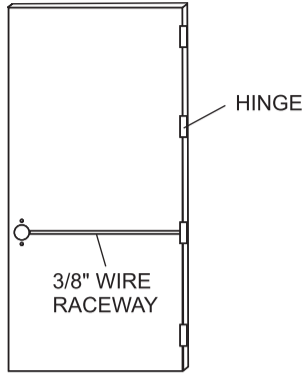
TOOLS REQUIRED FOR REPLACEMENT :

1 phillips head screwdriver

<p>1. MARK DOOR</p>  <p>a. Start 38" from floor and mark center of door edge.</p> <p>b. Select backset 2-3/8" or 2-3/4" and mark hole center on door face.</p> <p>NOTE ·· BACKSET ON DOOR FACE MUST BE SAME AS BACKSET OF YOUR LOCK.</p> <p>c. Mark two holes for screw post.</p>	<p>2. DRILL HOLES</p> <p>Drill holes as marked.</p>  <p>NOTE : DRILL 2-1/8" (54mm) HOLE FROM BOTH SIDES TO AVOID SPLITTING WOOD.</p>	<p>3. INSTALL LATCH</p>  <p>a. Insert latch in hole and hold it parallel to door face. Mark outline and remove latch.</p> <p>b. Chisel 11/64" (4 ~ 4.3mm) deep or until faceplate is flush with the edge of door.</p> <p>c. Insert latch and tighten screws.</p> <p>NOTE : LATCHBOLT BEVEL MUST FACE DOOR CLOSING DIRECTION.</p>
<p>4. INSTALL STRIKE</p>  <p>a. Close door to match horizontal line of strike.</p> <p>b. Measure one half of door thickness from door stop to mark vertical center line of strike. Drill 1" (25.4mm) hole, 1/2" (12.7mm) deep at intersection of horizontal and vertical center lines.</p> <p>c. Cut out jamb 3/32" (2.4mm) deep or until strike is flush with jamb.</p> <p>d. Tighten screws securely.</p>		
<p>5. REMOVE INSIDE TRIM</p> <p>Use lever catch tool to depress lever catch visible under hole of inside lever shank and slide off inside lever, rose liner and mounting plate.</p>  <div data-bbox="94 2582 724 2804" style="border: 1px solid black; padding: 5px;"> <p>ADJUST DOOR THICKNESS</p> <p>1-3/8" (35mm) 1-9/16" ~ 1-3/4" (40 ~ 45mm) 2" (51mm)</p> <p>PUSH</p>  <p>TURN BUTTON</p> </div>		<p>6. ADJUST DOOR THICKNESS</p> <p>a. Remove outside mounting plate toward cylindrical casing.</p> <p>b. Put the catch tool into the allocated position of outside mounting plate as illustrated below.</p> <p>c. Rotate outside mounting plate to required door thickness by using the catch tool.</p> 

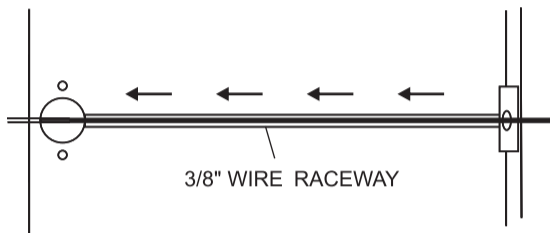
7. MAKE SURE THE DOOR IS CORRECTLY PREPPED

A 3/8" wire raceway, from hinge to the door prep, must be pre-installed inside the door.



8. RUN THE WIRE THROUGH THE RACEWAY

Direct the wire through the raceway, from hinge to the door prep, and pull the wire out of the door hole.



9. WIRE CONNECTION

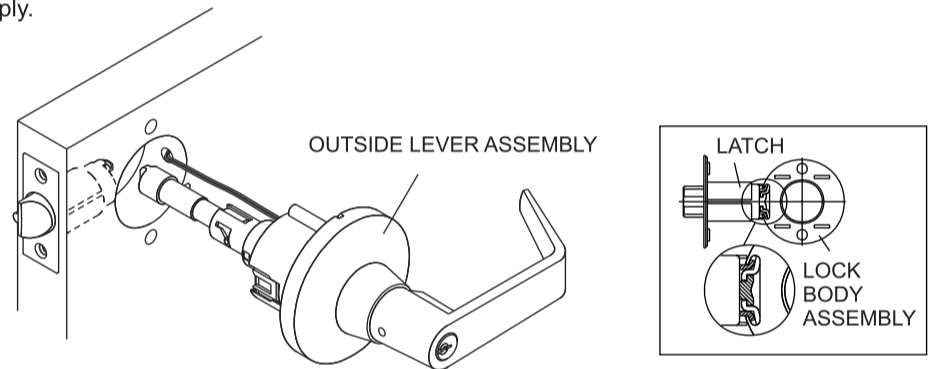
For 24VDC application use the two brown wires.
 For 12VDC application use the two blue wires.
 For the REX switch (optional) use the blue and white wires.

CONDITION	Temperature 20°C	
	Resistance Tolerance +/- 10%	
Structure of the Coils	150 Ohm DC24V 0.16Amp	37.5 Ohm DC12V 0.32Amp
Structure of the Switch		

10. INSTALL OUTSIDE LEVER ASSEMBLY

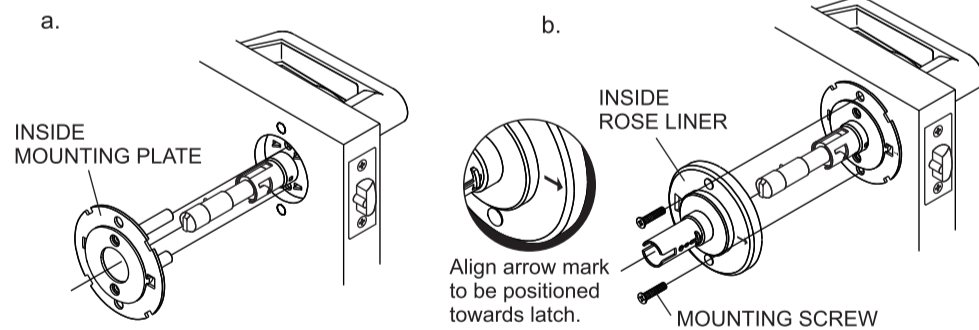
The wires must not be crimped or pinched by the door prep, or must not be exposed outside the door prep. At the hinge end, carefully pull the wires out of the raceway and connect it to the power supply.

Install outside lever assembly on the door.
 Make sure tail of latch is engaging with retractor correctly per illustration.



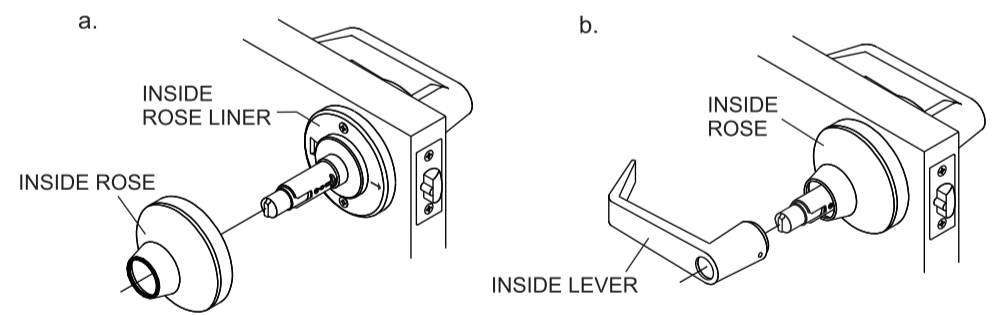
11. INSTALL INSIDE MOUNTING PLATE AND ROSE LINER

- a. Install inside mounting plate to lock body.
- b. Press inside rose liner onto mounting plate and tighten mounting screws securely.



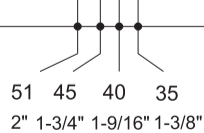
12. INSTALL INSIDE ROSE AND LEVER

- a. Be sure to install rose in recess of rose liner.
- b. Depress lever catch with tool provided. Push inside lever on completely until catch engages in lever. Confirm lever is secured.



TEMPLATE

FOLD HERE ON DOOR EDGE



Standard latch, drill 25.4mm (1") Drive in latch, drill 24.5mm (31/32") hole at center of door edge.

NOTE
 DO NOT MAKE THE HOLES FOR LOCKS IF REMOVING OUTSIDE SECURING STUDS (THRU-BOLT)

2-3/8" (60mm) BACKSET

2-3/4" (70mm) BACKSET

5" (127mm) BACKSET

5/16"(8mm) x 2 hole

2-15/32"(62.7mm)

MARK CENTER OF 2-1/8"(54mm) HOLE ON DOOR FACE

(FOR METAL DOOR ONLY)

2-3/4"(70mm)

5/32"(4mm)