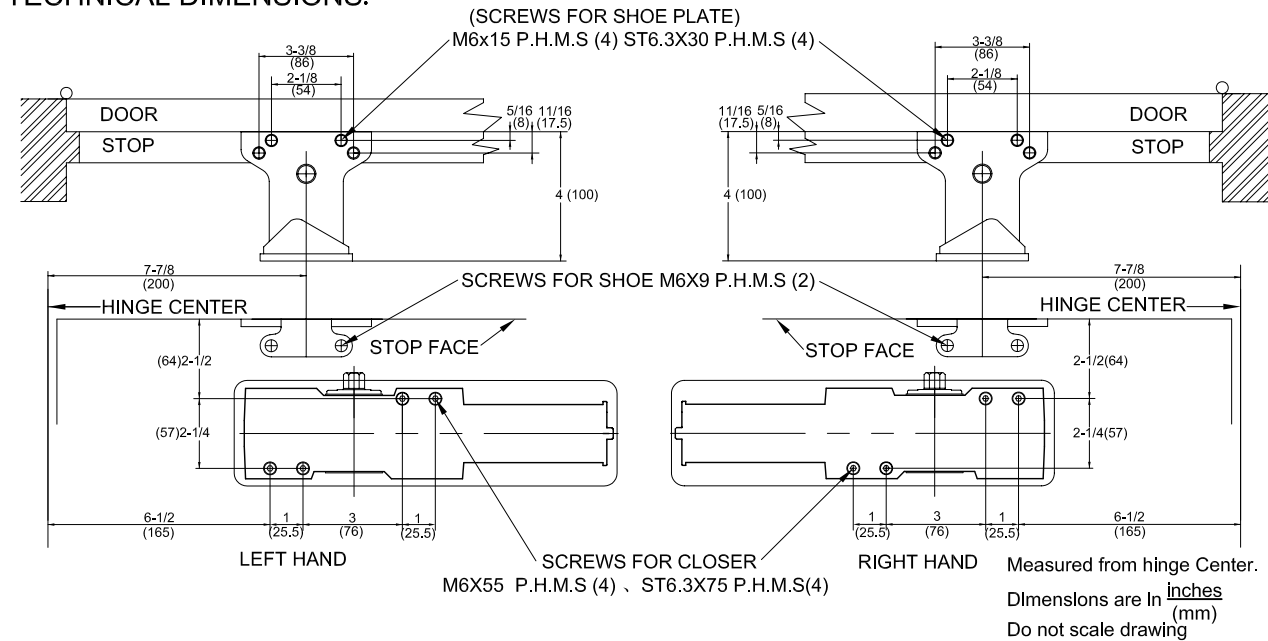
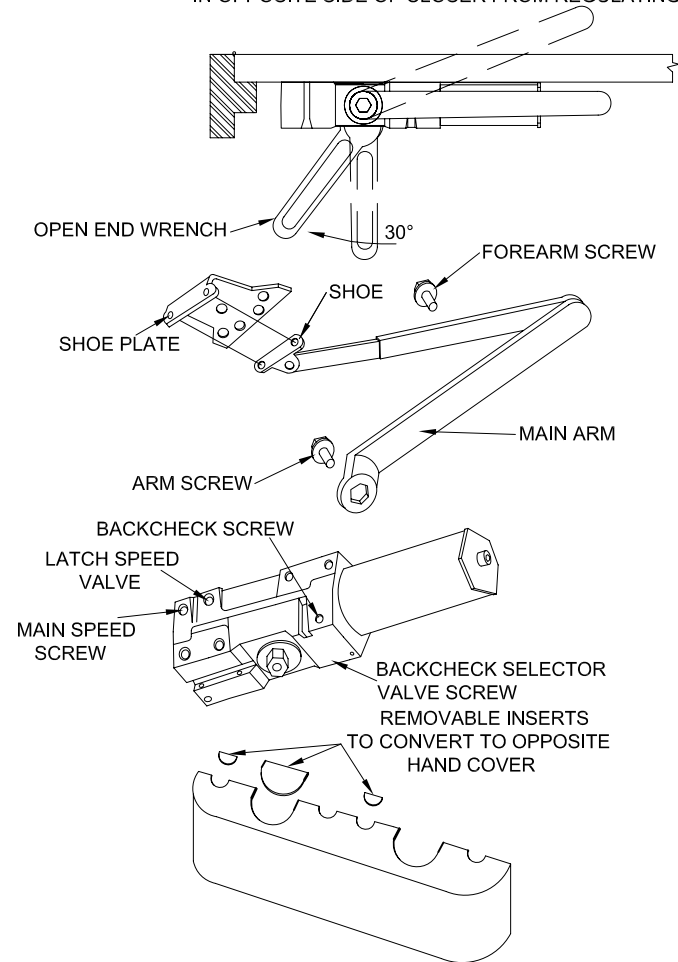


PARALLEL ARM MOUNTING (PUSH SIDE)

TECHNICAL DIMENSIONS:



BEFORE INSTALLING MOUNTED STOP FACE (PARALLEL ARM), TURN BACK CHECK SELECTOR VALVE (FOUND IN OPPOSITE SIDE OF CLOSER FROM REGULATING SCREWS SIDE) ALL THE WAY IN (CLOCKWISE)!

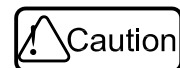


INSTALLATION STEPS:

1. Adjust spring power to match door width as indicated by chart on page 1.
2. Mount closer on door to dimensions shown, tube end toward latch. Locate closer and shoe from center of hinge.
3. Attach arm as follows:
(A) Place open end wrench on bottom shaft and turn toward hinge jamb about 30°.
(B) Place main arm on top shaft, insert arm screw into top of shaft and tighten.
4. Attach PA shoe plate to stop as shown.
5. Attach rod and shoe to shoe plate as shown. (Offset toward hinge)
6. Open door and insert rod in forearm, and close door.
7. With main arm parallel to door, insert forearm screw and tighten.

REGULATION BACKCHECK ATTACH COVER

AS SAME AS PAGE 2 OR PAGE 3.

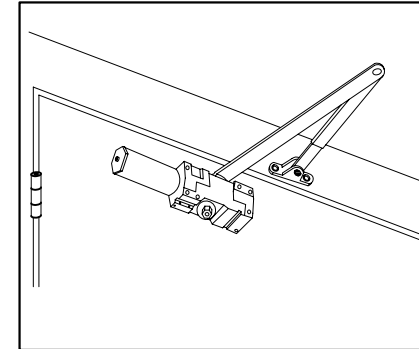


IMPROPER INSTALLATION OR REGULATION MAY RESULT IN PERSONAL INJURY OR PROPERTY DAMAGE. FOLLOW ALL INSTRUCTIONS CAREFULLY.

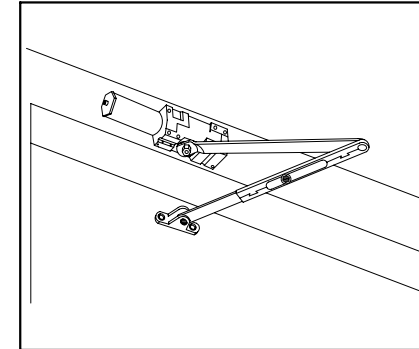
TDC40 DOOR CLOSER INSTALLATION INSTRUCTION

Model: TDC40 Size 1-6

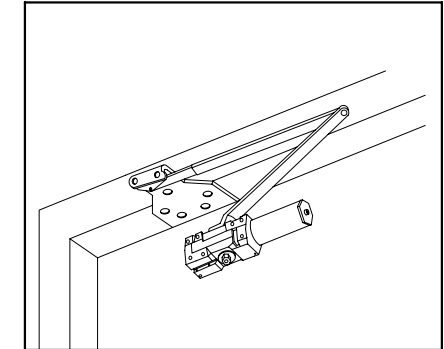
MOUNTING METHODS:



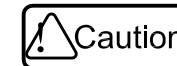
Regular Arm(Pull Side)
Permit 120° maximum opening.
See Page 2.



Top Jamb(Push Side)
Permit 120° maximum opening.
See Page 3.



Parallel Arm(Push Side)
Permit 180° maximum opening.
See Page 4.



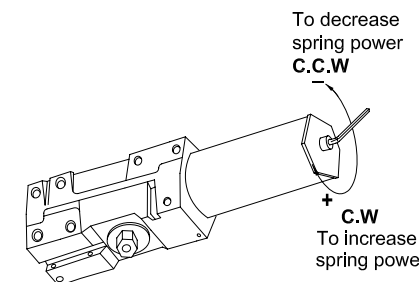
PLEASE READ THIS INSTRUCTION CAREFULLY BEFORE INSTALLATION; TOWNSTEEL IS NOT RESPONSIBLE FOR ANY RESULTS WHICH ARE CAUSED BY INCORRECT MOUNTING.

GENERAL NOTES

Closer is non-handed and designed to meet entrance accessibility requirements. Before installation, determine hand of the door. Select degree of opening door. Refer to the chart. Adjust the spring power as shown before installing the closer. Turn the spring adjustment nut clockwise or counter-clockwise the required number of turns to match door width as indicated in chart.

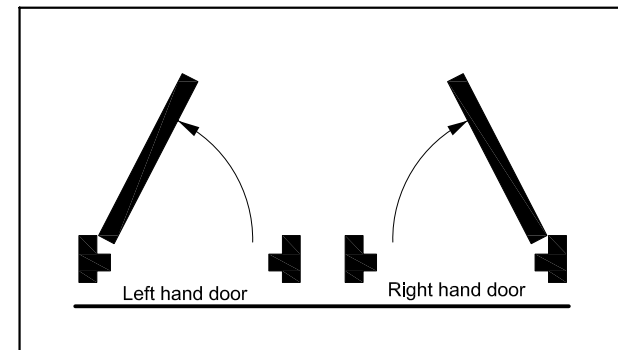
MAXIMUM DOOR WIDTH

Exterior doors	Interior doors	Full turns required	Spring Power Rating
—		-3TURNS C.C.W	1
8.5 lb-f	34"	0 TURNS	2
30"	38"	3TURNS C.W	3
36"	48"	7 TURNS C.W	4
42"	54"	11 TURNS C.W	5
48"	60"	19 TURNS C.W	6

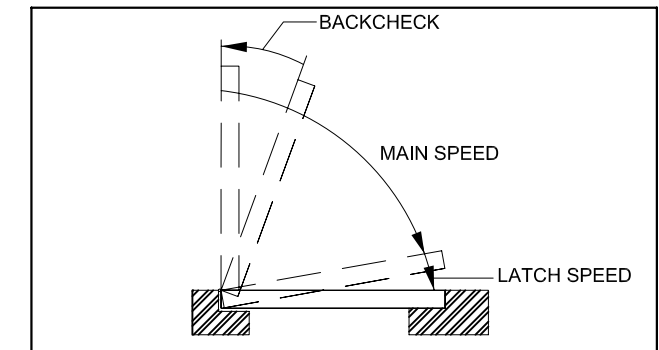


Adjust spring power DO NOT exceed the maximum turns in either direction!

HOW TO TELL HAND OF DOOR.

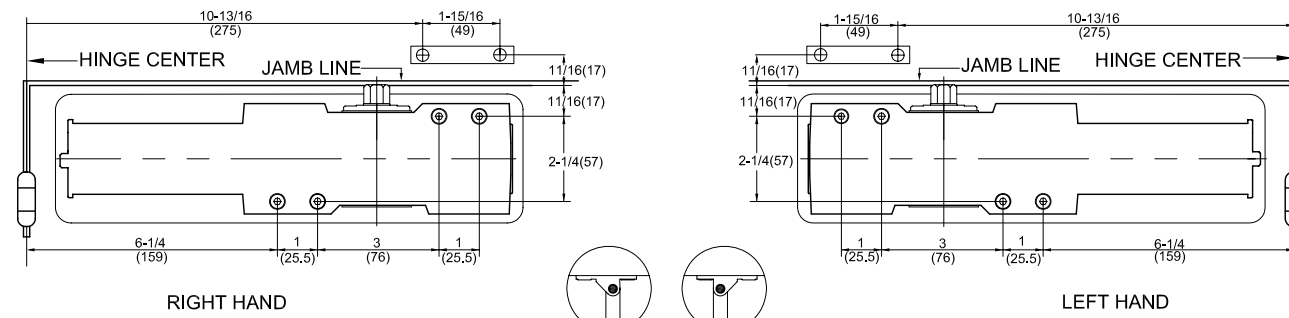


CLOSING CONTROL



REGULAR ARM (PULL SIDE)

TECHNICAL DIMENSIONS:

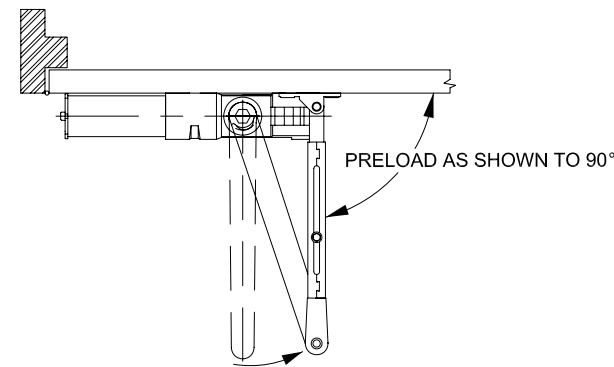


RIGHT HAND

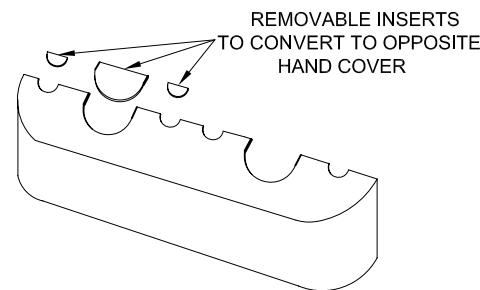
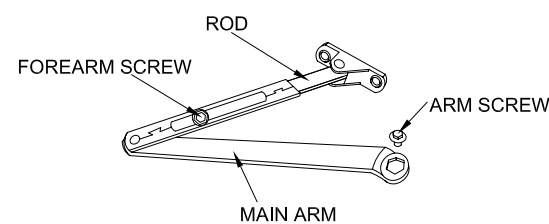
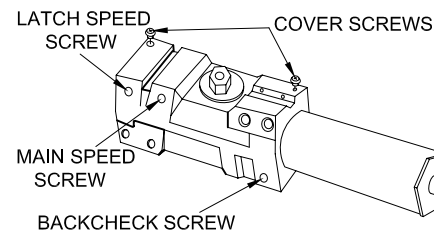
LEFT HAND

SCREWS FOR CLOSER M6x55 OR ST6.3X75 (4)
SCREWS FOR SHOE M6X15 OR ST6.3X30 (2)

Measured from hinge Center.
Dimensions are in inches
(mm)
Do not scale drawing



PRELOAD AS SHOWN TO 90°



REMOVABLE INSERTS
TO CONVERT TO OPPOSITE
HAND COVER

INSTALLATION STEPS:

1. Adjust spring power to match door width as indicated by chart on page 1.
2. Mount closer on door to dimensions shown, tube end toward hinge. Locate closer and shoe from center of hinge.
3. Place main arm on top shaft about 90° to closer, insert arm screw into top of shaft and tighten.
4. Attach shoe to frame as shown. If more power is required, rotate 180°.
5. Open door and insert rod in forearm, and close door.
6. With forearm at right angle to frame, insert forearm screw and tighten.

REGULATION

7. Do not allow door to slam into frame. A "Normal" closing time from 90° open position is from 5 to 7 seconds, evenly divided between main swing speed and latch swing speed. Use socket key (furnished) to adjust speed. To slow main speed of door, turn regulating screw nearest shaft clockwise. To slow latch speed, turn regulating screw nearest latch clockwise.

BACKCHECK

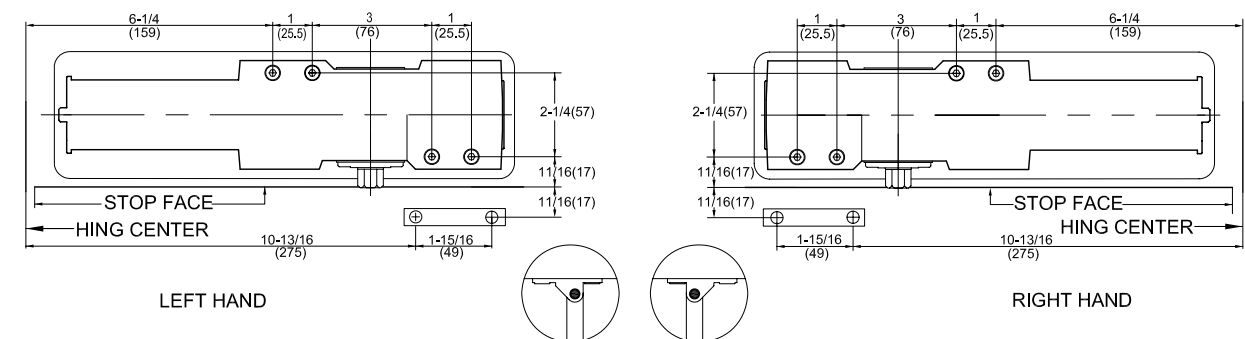
To increase backcheck intensity turn regulating screw nearest hinge clockwise. DO NOT USE ABRUPT BACKCHECK OR EXPECT DOOR CLOSER TO ACT AS A DOOR STOP.

ATTACH COVER

8. First, place inserts in proper cutouts, push cover against door closer and tighten both cover screws securely.

TOP JAMB MOUNTING (PUSH SIDE)

TECHNICAL DIMENSIONS:

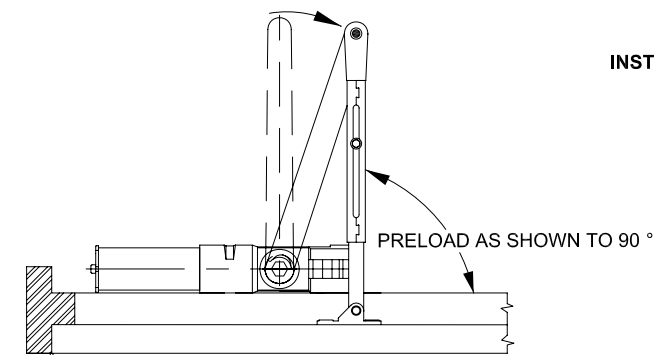


LEFT HAND

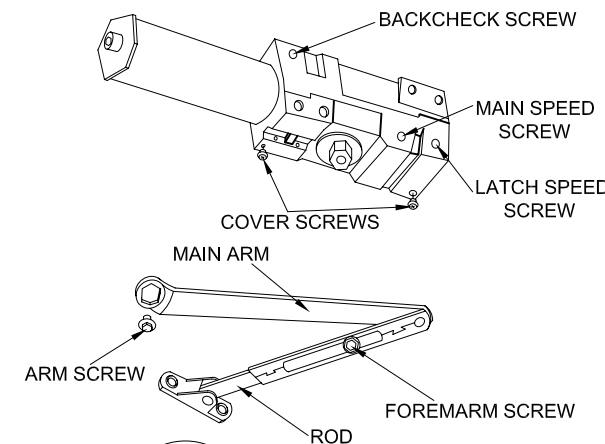
RIGHT HAND

SCREWS FOR CLOSER M6x55 OR ST6.3X75 (4)
SCREWS FOR SHOE M6X15 OR ST6.3X30 (2)

Measured from hinge Center.
Dimensions are in inches
(mm)
Do not scale drawing



PRELOAD AS SHOWN TO 90°



REMOVABLE INSERTS
TO CONVERT TO OPPOSITE
HAND COVER

INSTALLATION STEPS:

1. Adjust spring power to match door width as indicated by chart on page 1.
2. Mount closer on door frame to dimensions shown, and tube end toward hinge. Locate closer and shoe from center of hinge.
3. Place main arm on top shaft about 90° to closer, insert arm screw into top of shaft and tighten.
4. Attach shoe to door as shown. If more power is required, rotate 180°.
5. Open door and insert rod in forearm, and close door.
6. With forearm at right angle to door, insert forearm screw and tighten.

REGULATION

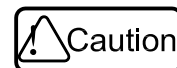
7. Do not allow door to slam into frame. A "Normal" closing time from 90° open position is from 5 to 7 seconds, evenly divided between main swing speed and latch swing speed. Use socket key (furnished) to adjust speed. To slow main speed of door, turn regulating screw nearest shaft clockwise. To slow latch speed, turn regulating screw nearest latch clockwise.

BACKCHECK

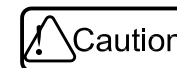
To increase backcheck intensity turn regulating screw nearest hinge clockwise. DO NOT USE ABRUPT BACKCHECK OR EXPECT DOOR CLOSER TO ACT AS A DOOR STOP.

ATTACH COVER

8. First, place inserts in proper cutouts, push cover against door closer and tighten both cover screws securely.



IMPROPER INSTALLATION OR REGULATION MAY RESULT IN PERSONAL INJURY OR PROPERTY DAMAGE. FOLLOW ALL INSTRUCTIONS CAREFULLY.



IMPROPER INSTALLATION OR REGULATION MAY RESULT IN PERSONAL INJURY OR PROPERTY DAMAGE. FOLLOW ALL INSTRUCTIONS CAREFULLY.