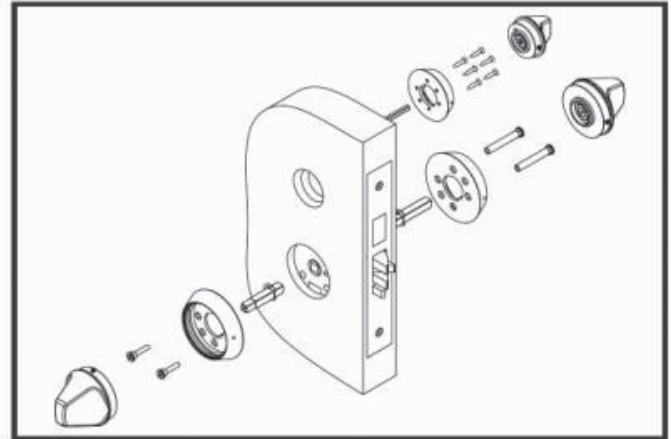


MRX-K ANSI Grade 1 Mortise Lock with Ligature Resistant Trim-Knob



- High quality stainless steel components
- Meets or exceeds all performance testing of ANSI A156.13 Grade 1 mortise locks
- Integral part of your Health/Safety and Accident Prevention programs
- Mortise is UL listed for a 3 hour fire door
- Variety of mortise functions available to fit your unique security and safety requirements
- Tamper resistant mounting screws, standard
- Heavy duty escutcheon and sectional trim available
- Schlage C keyway, standard
- Small Format 6 or 7 pin Interchangeable Core (SFIC) available
- 32D Finish



Important Note:

It is TownSteel's position that if any of our keyed locks are to be used less cylinder, whether I.C. or standard, and another manufacturer's cylinder is to be used in place of the TownSteel original manufacturer's cylinder, that a sample of that product be provided to TownSteel in advance for testing.

How To Order

Trim	MRX-E-K Ligature Resistant Mortise-Escutcheon Trim MRX-S-L Ligature Resistant Mortise-Sectional Trim
Function	Please Refer to Function Sheet
IC	IC
Example MRX-E-K-04-IC	
1. Ligature Resistant Knob Mortise - Escutcheon Trim	_____
2. Function	_____
3. IC (optional)	_____

