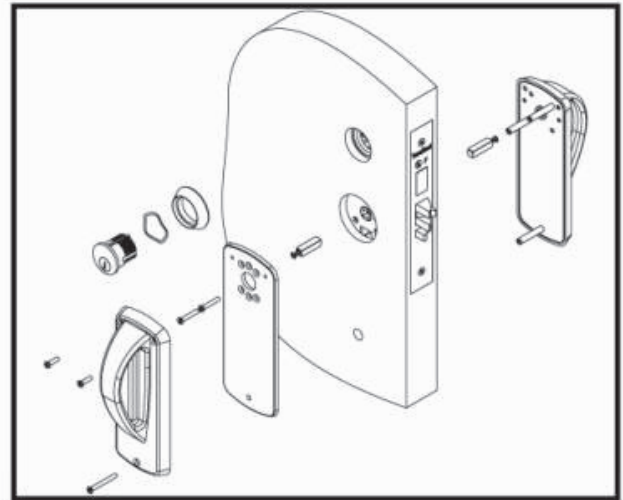
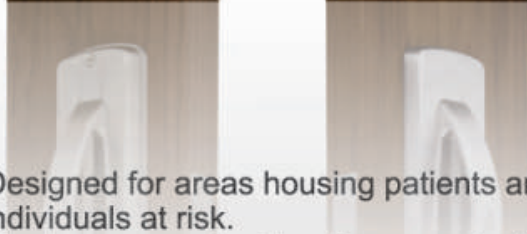


MRX-A ANSI Grade 1 Mortise Lock with Ligature Resistant Trim-Arch



- Designed for areas housing patients and individuals at risk.
- Meets or exceeds all performance testing of ANSI A156.13 Grade 1 mortise locks
- Mortise body is UL listed for a 3 hour fire door
- Ligature resistant, an integral part of your Health/Safety and Accident Prevention programs.
- 5 Point design: a 0.5mm diameter wire or greater cannot be attached to the lock from any direction (up, down, horizontal right, horizontal left or perpendicular to surface of the door).
- Heavy duty ligature resistant arch lever trim (requires handing).
- High quality stainless steel components.
- Tamper resistant security stainless steel mounting screws
- Variety of mortise functions available to fit your unique security and safety requirements.
- Horizontal or vertical trim mounting.
- ADA thumb turn, standard.
- Schlage C keyway, standard.
- Small format 6 or 7pin interchangeable Core (SFIC) available.
- US32D finish.

How To Order

Trim	MRX-A Ligature Resistant Mortise Arch Lever Trim
Function	Please Refer to Function Sheet
IC	Small Format IC Less Core (Optional)
LH	Left Hand Door

Example

MRX-A-04-IC-LH

1. MRX-A: Ligature Resistant Mortise Arch Lever Trim
2. 04: ANSI F-04 function
3. IC: Small format IC less core (Optional)
4. LH: Left hand door

Important Note:

It is TownSteel's position that if any of our keyed locks are to be used less cylinder, whether I.C. or standard, and another manufacturer's cylinder is to be used in place of the TownSteel original manufacturer's cylinder, that a sample of that product be provided to TownSteel in advance for testing.

