

Introduction

The FME4000 is a standalone electronic function lock that provides a RFID technology with the security afforded by using grade 1 heavy duty mortise lockset. RFID technology simplifying the management of the system provides ease of use. Maximum keycard capacity includes 250 office keycards and user keycards, and 120 Remote Control Units per lock. Programming is quick and easy.

Lockdown feature is accomplished using a Remote Control Unit (RCU) that is programmed to one or more locks with the RCU's 75 feet range. The RCU is specific to the paired lock or locks. With a simple push of the lock that will signify a lockdown is in progress. The RCU is normally controlled by a teacher or other designated individual that is responsible for the room lockdown in the event of emergency. The RCU will be carried at all times by the designated individual of the room.

The lock is always able to be opened from the inside to allow for a safe evacuation when necessary. During lockdown, an office keycard, user keycard, or key override may be used to gain access to the room if necessary. A lockdown cancellation keycard may be used to release lockdown mode. The locking system is operated by batteries and is not affected by power outages. Overall the system is a secure, safe, practical and simple method to ensure the safety of the room and especially children.

Features

- Standalone RFID cylindrical lock with classroom lockdown feature
- Ideal for school safety programs
- Easy programming of multiple locks
- Extended two years battery life, with low battery warning
- Easy firmware upgrade
- Non-volatile memory (setting is not deleted even if power off)
- Mechanical key override
- Encrypted keycard, 8-bit Universal Identification (UID)
- Mifare technology with NFC tag
- Tamper resistant mounting screws
- Vandal Resistant RFID reader
- Heavy duty Grade 1 cylindrical lockset

Electronic Specifications

- Application: For classroom lockdown, full indoor and outdoor
- Capacity of User/Office keycards per Lock: 250
- Capacity of RCU per Lock: 120
- Credential verification time: Less than 0.5 second
- Keycard maximum read/write distance: ¾"
- RCU minimum working distance: 75 feet
- Communication: Multi-colored LED indicator and sound
- Power supply: 4AA battery
- Battery life: Up to 2 years
- Operating temperature: -31° to 151° F (-35° to 66°C)

FME-4000

MORTISE WITH RFID TECHNOLOGY



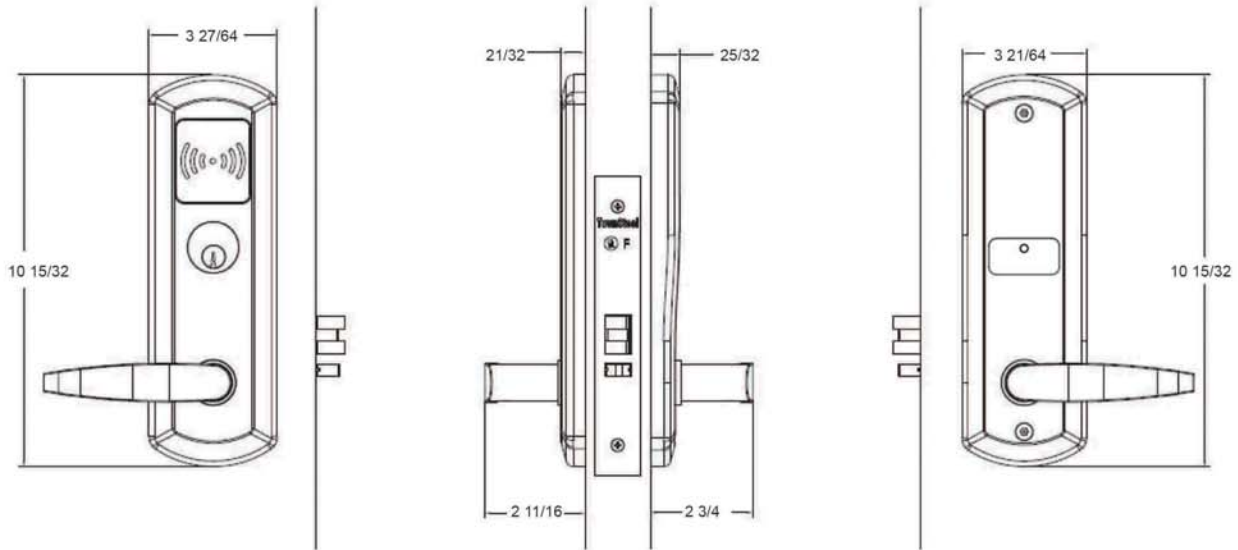
Mechanical Specifications

Door Thickness	1-3/4" standard, others upon request
Backset	2-3/4"
Clutched trim	Available
Latch bolt	Stainless Steel, split, anti-friction, 3/4" projection
Guard bolt	Stainless Steel
Faceplate	Stainless Steel, 1-1/8" x 8"
Strike	ASA Strike standard, 1-1/4" X 4-7/8"
Escutcheon	Steel or zinc alloy
Lever	Forged brass or zinc
Lever Style	Sentinel (S), Quest (Q) and Gala(G), designer lever styles upon request
Cylinder	- 6 pin Schlage® "C" Keyway, standard - Small Format IC with or without core available, 6 or 7 pin core, Best®"A" keyway - Schlage® Large Format IC less core available - Corbin® Large Format IC less core available, for 6 pin core - High Security Cylinder available, 6 pin, TownSteel "L" keyway - High Security SFIC Core available, 7 pin, TownSteel "L" keyway
Keying	KD standard, KA, MK, GMK, GGK and construction available
Finish	US26D and US10B stocked, other upon request
Warranty	1-year limited for electronic, 5-year limited for finish, 10-year limited for mechanical

Code Compliance

ANSI/BHMA A156.13	A156.13-2005 Grade 1 Certified
ANSI/BHMA A156.25	Meets or exceeds all applicable requirements
UL/ULC	UL 10C 3-hour rated
BAA	Meets guidelines of the Buy American Act
ADA	Meets requirements of the Americans with Disabilities Act
RoHS	Meets requirements of EU RoHS Directive 2002/95/EC
FCC	FCC part 15 certified

Profile



How to order

Series:

- FME-4010 Rigid
- FME-4020 Clutched
- FME-4030 Rigid, High Security
- FME-4040 Clutched, High Security

Lever Style:

- S Sentinel
- Q Quest
- G Gala

Finishes:

- US26D Satin Chrome
- US10B Powder Coat

Keying

Specify when ordering

FME - - - -

--	--	--	--

FME-2000 & XME-2000

Standalone Electronic Lock Series



US Patented



FME 2000

RFID



XME 2000

KEYPAD

ANSI/BHMA Certified Grade 1 Mortise Lock

- Finish** 622 (US19), 626 (US26D), others upon request
- Cylinder** SC (Schlage C keyway), SFIC / SLFIC / CLFIC with/without core, or high security
- ANSI/BHMA A156.13** Grade 1 certified
- ANSI/BHMA A156.25** Meets Industry Standards
- UL/ULC** UL10C 3-hour rated
- BAA** Meets guidelines of the Buy American Act
- FCC** FCC Part 15 certified



How To Order

Model	XME: Keypad FME: RFID
Series	2010: Rigid 2020: Clutched 2030: High Security Cylinder, Rigid 2040: High Security Cylinder, Clutched 2050: Rigid, with Deadbolt 2060: Clutched, with Deadbolt 2070: Rigid, High Security Cylinder, with Deadbolt 2080: Clutched, High Security Cylinder, with Deadbolt
Lever Style	S: Sentinel / Q: Quest / Or see TownSteel Catalog
Finish	622: US19, Flat Black / 626: US26D, Satin Chrome Or special color upon request
Cylinder	Specify when ordering, any mortise cylinder can be used

