

**STEP 1**

PREPARE DOOR PER TEMPLATE PROVIDED. INSTALL MORTISE AS SHOWN AND SECURE WITH 2 SCREWS. FEED WIRE THRU AS SHOWN- DO NOT PINCH OR PULL ON WIRE.

WIRE ROUTING

**STEP 2**

PUT OUTER SPINDLE & INNER SPINDLE IN MORTISE HUB AND HAND. TIGHTEN SCREW TO KEEP IN PLACE. PUT POSTS THROUGH OUTER LEVER TRIM HOLES AND PLACE TRIM ON DOOR.

MOUNTING SCREW  
INNER LEVER TRIM  
INNER PLATE  
WIRE ROUTING (MOTOR WIRE FROM MORTISE)  
INNER SPINDLE  
OUTER SPINDLE  
OUTER LEVER TRIM  
POST

FEED THE MOTOR WIRE THROUGH THE HOLE IN THE INNER PLATE WHILE PUTTING IT AGAINST THE DOOR. PLACE INNER TRIM AGAINST THE PLATE AND ATTACH WITH THE MOUNTING SCREWS. ENSURE WIRE IS NOT PULLED ON OR PINCHED.

**STEP 3**

PLUG THE WIRE HARNESS INTO THE CONNECTOR ON THE BACK OF THE KEYPAD. GUIDE ESCUTCHEON ONTO THE OUTER LEVER TRIM. FEED THE WIRE HARNESS THROUGH THE DOOR SLOT AS SHOWN. DO NOT PINCH THE WIRE HARNESS. SCREW THE CYLINDER INTO THE LOCK.

ESCUTCHEON  
CYLINDER  
WIRE HARNESS  
CYLINDER RETAINING SCREW (INSIDE)

ONCE CYLINDER IS SCREWED IN TIGHTEN CYLINDER RETAINING SCREW THEN SECURE THE ESCUTCHEON WITH THE 4 SCREWS PROVIDED

**STEP 4**

ROUTE WIRES AS SHOWN. PLUG THE MOTOR WIRE AND WIRE HARNESS INTO THE APPROPRIATE CONNECTORS ON THE CIRCUIT BOARD (SEE WIRE HARNESS ROUTING DETAIL)

CIRCUIT BOARD

SECURE THE FACE PLATE WITH THE TWO SUPPLIED SCREWS.

**STEP 5**

BATTERY HOLDER  
BATTERY COVER

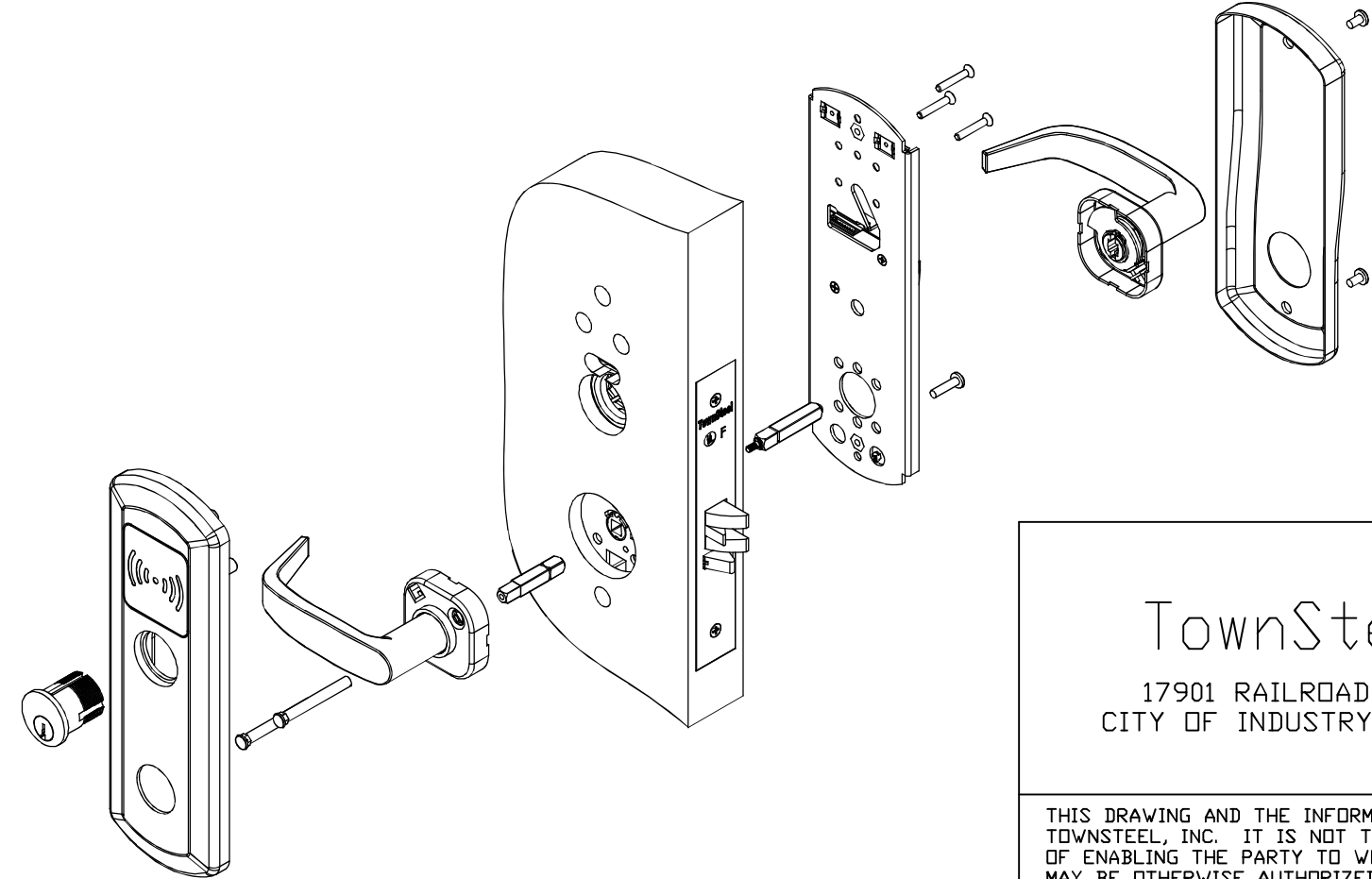
ASSEMBLE BATTERIES (USE ALKALINE ONLY) INTO THE BATTERY HOLDER THEN PUT INTO THE COVER. ATTACH BATTERY CONNECTOR TO THE CIRCUIT BOARD WIRE HARNESS ROUTING DETAIL. SLIDE BOTTOM TAB OF BATTERY COVER IN TAB SLOT ON THE INNER PLATE AND ATTACH WITH THE 2 SCREWS SUPPLIED.

**STEP 6**

IMPORTANT: CHECK LOCK FOR CORRECT OPERATION BEFORE CLOSING THE DOOR

**WIRE HARNESS ROUTING DETAIL**

WIRE HARNESS FROM FRONT KEYPAD  
BATTERY HARNESS  
MOTOR WIRE HARNESS



<p>TownSteel</p> <p>17901 RAILROAD STREET CITY OF INDUSTRY, CA 91748</p>	<p>DRAFT UNLESS OTHERWISE SPECIFIED: 1° MAX</p>	<p>TOLERANCES UNLESS OTHERWISE SPECIFIED: X.X (METRIC) = ±0.4 X.XX (METRIC) = ±0.15 FRACTIONS = ±.8 ANGLES = ±1/2° © .12 MACHINED SURFACES 12/5</p>	<p>MATERIAL: NOTED</p>
	<p>DATE: 6/17/14</p>	<p>THIRD ANGLE</p>	<p>HEAT TREAT:</p>
	<p>FINISH:</p>	<p>TITLE: FME INSTALLATION ASSY INSTRUCTIONS</p>	<p>PART#: FME RIGID SERIES</p>

THIS DRAWING AND THE INFORMATION CONTAINED THEREON OR DERIVED THEREFROM ARE THE CONFIDENTIAL PROPERTY OF TOWNSTEEL, INC. IT IS NOT TO BE REPRODUCED, OR DISCLOSED TO OTHERS, AND MAY BE USED ONLY FOR THE PURPOSE OF ENABLING THE PARTY TO WHOM IT HAS BEEN LOANED TO QUOTE ON OR FILL AN ORDER FOR TOWNSTEEL, INC., OR AS MAY BE OTHERWISE AUTHORIZED BY TOWNSTEEL, INC. IN WRITING.