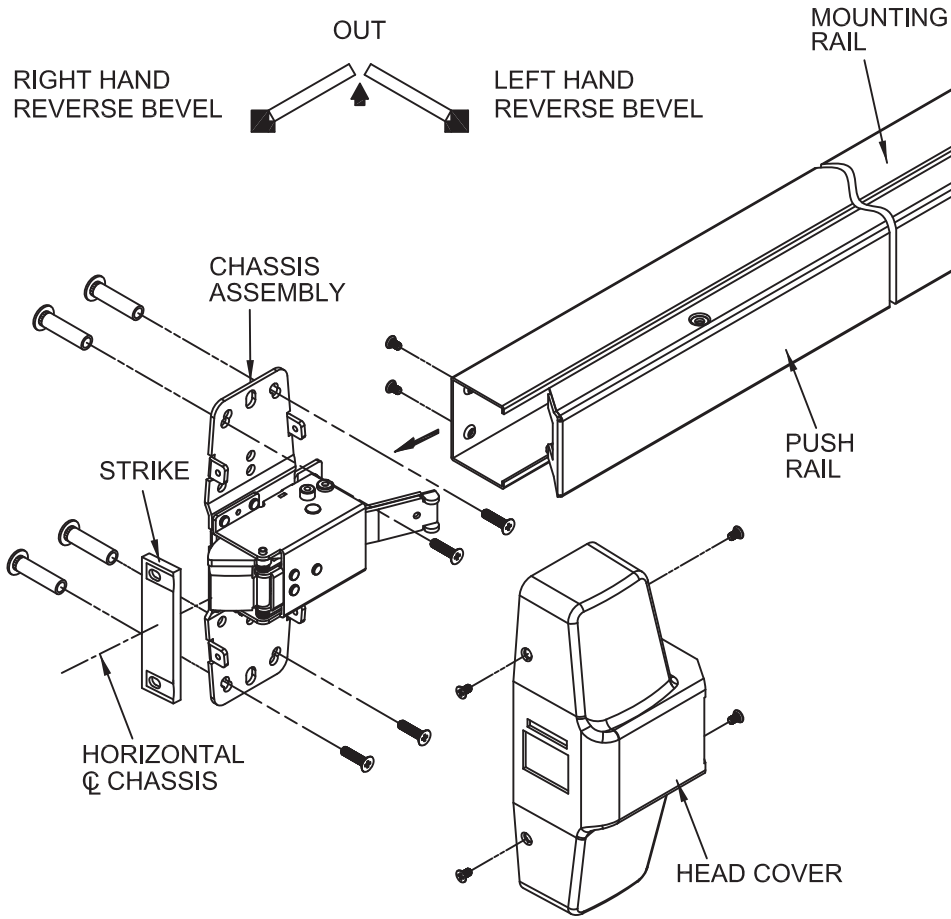


INSTALLATION INSTRUCTIONS FOR ED5500F SERIES FIRE EXIT DEVICE

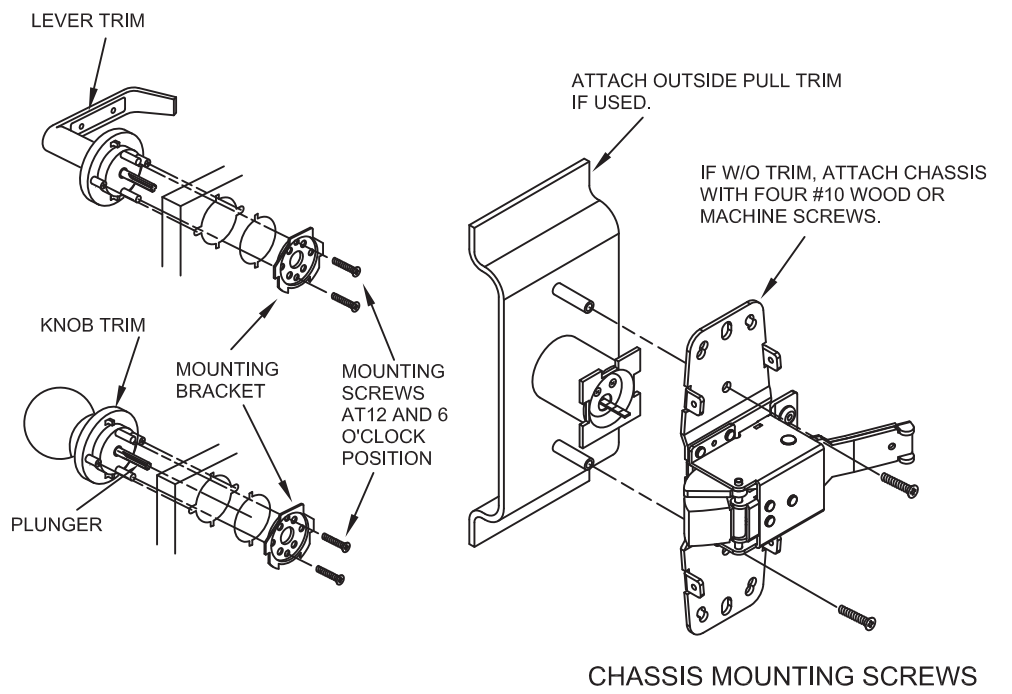
BEFORE INSTALLING DEVICE, PLEASE CHECK :

1. IF DOOR IS FITTED AND HUNG.
2. SIZE OF EXIT DEVICE, FUNCTION AND DESIGN
 - 2.1. 36" DOORS, CAN BE CUT TO FIT DOORS DOWN TO 30" WIDE.
 - 2.2. 48" DOORS, CAN BE CUT TO FIT DOORS DOWN TO 36" WIDE.
 - 2.3. HANDING OF DEVICE AGAINST APPLICATION.

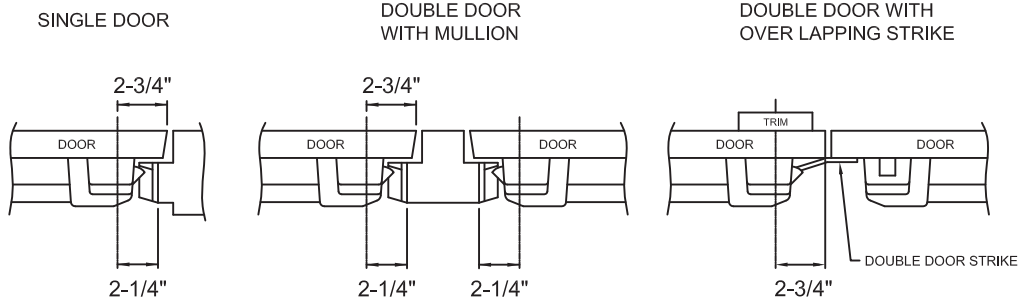
EXIT DEVICE MUST BE FLUSH ON SURFACE OF DOOR



2.3 INSTALL LEVER OR KNOB TRIM



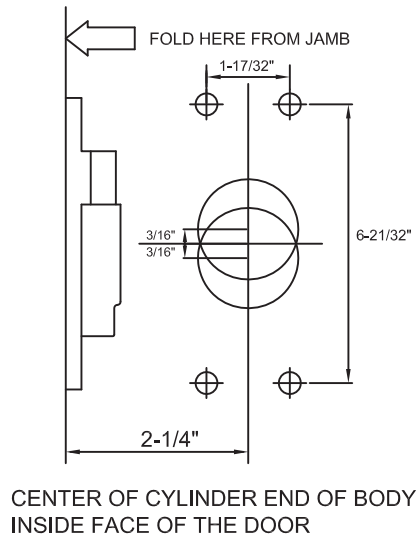
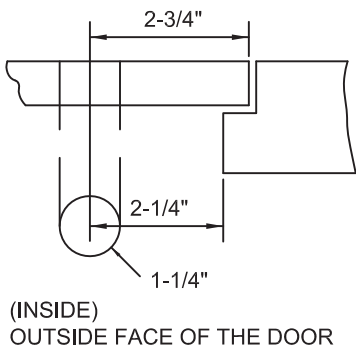
1. TYPE OF INSTALLATION



2. APPLY HARDWARE

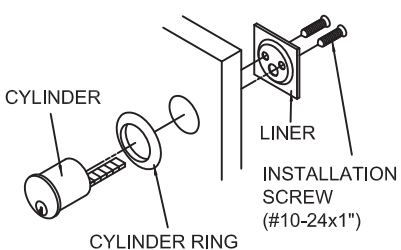
2.1 DRILL HOLES

MARK DOOR FACE AND DRILL HOLES IN ACCORDANCE WITH THE DIAMETERS SUGGESTED. SEE ATTACHED TEMPLATE

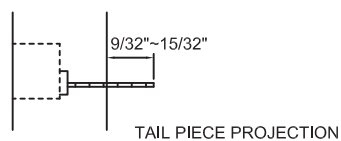


2.2 INSTALL CYLINDER

OUTSIDE FACE OF THE DOOR

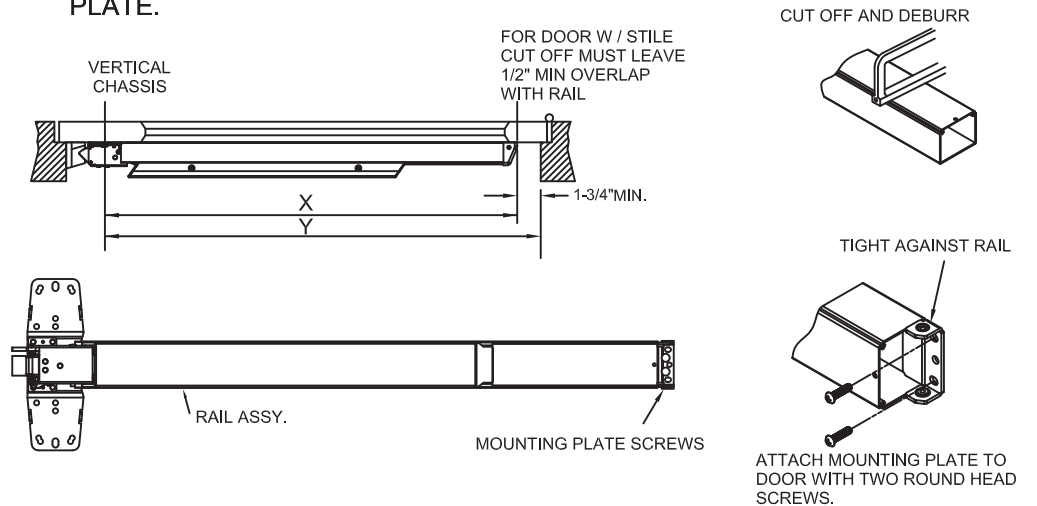


1. INSERT CYLINDER AS SHOWN.
2. KEEP TAIL PIECE HORIZONTAL.
3. MOUNT LINER ON INSIDE OF DOOR.
4. TAIL PIECE PROJECTION OVER INSIDE OF DOOR IS SUGGESTED IN THE RANGE 9/32"~15/32". IF NECESSARY, USE PLIERS TO BEND AND CUT TO DESIRED LENGTH.



3. APPLY RAIL ASSEMBLY

1. CHECK THE SIZE OF DEVICE, IF CUTTING TO LENGTH IS REQUIRED.
2. DETERMINE CUT OFF LENGTH "X" BY SUBTRACTING 1-3/4" FROM "Y". MARK CUT OFF POINT ON MOUNTING RAIL.
3. DEPRESS ARM INTO RAIL OPENING AND SLIDE RAIL ONTO CHASSIS. LEVEL RAIL AND FASTEN CHASSIS AND MOUNTING PLATE.



4. APPLY COVER AND STRIKE

